

PLEASE CHECK WWW.MOLEX.COM FOR LATEST PART INFORMATION

Part Number: [0039532284](#)
Status: **Active**
Overview:
Description: 1.25mm (.049") Pitch FFC/FPC Connector, Through-Hole, Right Angle, ZIF, Top Contact Style, 28 Circuits, Lead-free

Agency Certification

UL E29179

General

Product Family FFC/FPC Connectors
 Series 5597
 Overview ffc_fpc_throughhole
 Product Name N/A

Physical

Circuits (Loaded) 28
 Color - Resin Natural
 Contact Position Top
 Durability (mating cycles max) 30
 Entry Angle 90° Angle
 Flammability 94V-0
 Mated Height (in) 0.197 In
 Mated Height (mm) 5.00 mm
 Material - Metal Phosphor Bronze
 Material - Plating Mating Tin-Bismuth
 Material - Plating Termination Tin-Bismuth
 Material - Resin Polyester
 Number of Rows 1
 Orientation Right Angle
 PC Tail Length (in) 0.138 In
 PC Tail Length (mm) 3.50 mm
 PCB Locator No
 PCB Retention None
 Packaging Type Tray
 Pitch - Mating Interface (in) 0.049 In
 Pitch - Mating Interface (mm) 1.25 mm
 Plating min: Mating (µin) 40
 Plating min: Mating (µm) 1
 Plating min: Termination (µin) 40
 Plating min: Termination (µm) 1
 Polarized to PCB No
 Stackable No
 Surface Mount Compatible (SMC) No
 Temperature Range - Operating -20°C to +80°C
 Termination Interface: Style Through Hole
 Wire/Cable Type FFC/FPC

Electrical

Current - Maximum per Contact 1A
 Voltage - Maximum 200V

Material Info

Old Part Number 5597-28APB7F

Reference - Drawing Numbers

Packaging Specification SPK-5597-003

EU RoHS
ELV and RoHS
Compliant
REACH SVHC
 Not Reviewed
Halogen-Free
Status
Not Reviewed

China RoHS



Need more information on product environmental compliance?

Email productcompliance@molex.com
 For a multiple part number RoHS Certificate of Compliance, [click here](#)

Please visit the [Contact Us](#) section for any non-product compliance questions.

Search Parts in this Series
[5597Series](#)

Product Specification

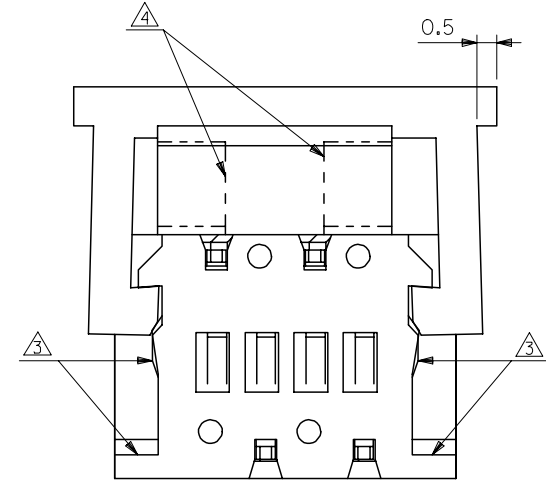
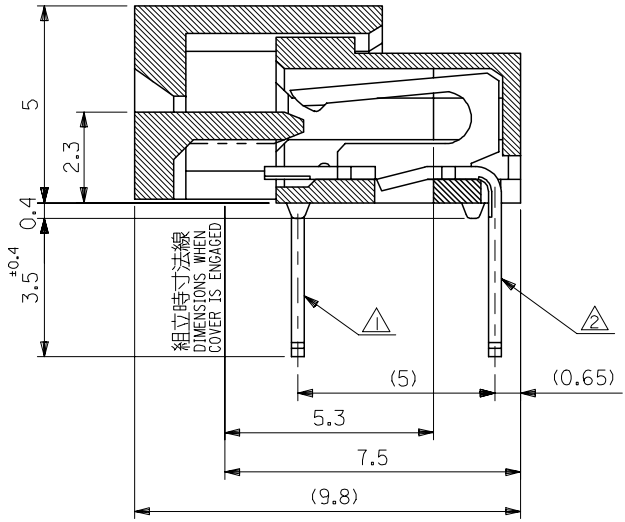
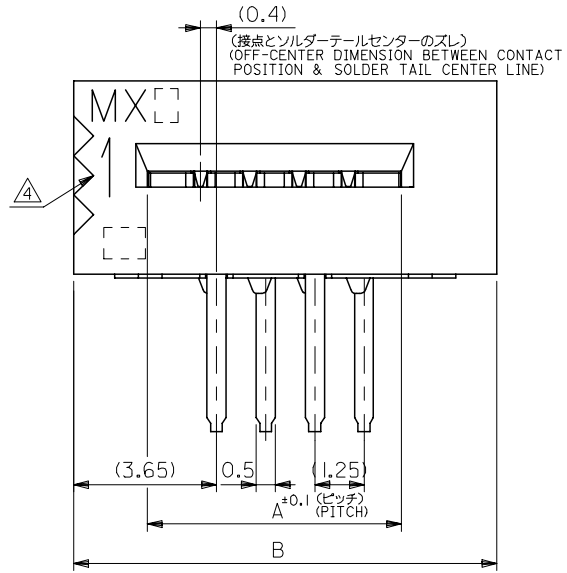
Sales Drawing

PS-5597-004, RPS-5597-005, RPS-5597-006,
RPS-5597-008, RPS-5597-013, RPS-5597-014,
RPS-5597-015
SD-5597-011

This document was generated on 06/04/2010

PLEASE CHECK WWW.MOLEX.COM FOR LATEST PART INFORMATION

10 9 8 7 6 5 4 3 2 1



注記 NOTES

- △ MX J側を基準に奇数番目の極におけるソルダーテール。
SOLDER TAIL OF ODD CKTS, MXJ MARK AS BASIC.
- △ MX J側を基準に偶数番目の極におけるソルダーテール。
SOLDER TAIL OF EVEN CKTS, MXJ MARK AS BASIC.
- △ 3極～10極に適用。APPLY FOR 3-10 CKTS.
- △ 3極～19極に適用。APPLY FOR 3-19 CKTS.
- 5. () 内寸法は、参考値。
() DIMENSION IS FOR REFERENCE.
- 6. ソルダーテールは、先端が取付推奨穴にガイドされること。
SOLDER TAILS MAY BE CHECKED BY INSERTION FOR RECOMMENDED PCB BOARD HOLES.
- 7. 本製品は5597-NAPBの鉛フリー品である。
THIS PRODUCT IS LEAD FREE OF 5597-NAPB.

| | | | | |
|-------|-------|------------|--------------|------------|
| 48.25 | 43.95 | 39-53-2344 | 5597-34APB7F | 34 |
| 47.00 | 42.70 | -2334 | -33APB7F | 33 |
| 45.75 | 41.45 | -2324 | -32APB7F | 32 |
| 44.50 | 40.20 | -2314 | -31APB7F | 31 |
| 43.25 | 38.95 | -2304 | -30APB7F | 30 |
| 42.00 | 37.70 | -2294 | -29APB7F | 29 |
| 40.75 | 36.45 | -2284 | -28APB7F | 28 |
| 39.50 | 35.20 | -2274 | -27APB7F | 27 |
| 38.25 | 33.95 | -2264 | -26APB7F | 26 |
| 37.00 | 32.70 | -2254 | -25APB7F | 25 |
| 35.75 | 31.45 | -2244 | -24APB7F | 24 |
| 34.50 | 30.20 | -2234 | -23APB7F | 23 |
| 33.25 | 28.95 | -2224 | -22APB7F | 22 |
| 32.00 | 27.70 | -2214 | -21APB7F | 21 |
| 30.75 | 26.45 | -2204 | -20APB7F | 20 |
| 29.50 | 25.20 | -2194 | -19APB7F | 19 |
| 28.25 | 23.95 | -2184 | -18APB7F | 18 |
| 27.00 | 22.70 | -2174 | -17APB7F | 17 |
| 25.75 | 21.45 | -2164 | -16APB7F | 16 |
| 24.50 | 20.20 | -2154 | -15APB7F | 15 |
| 23.25 | 18.95 | -2144 | -14APB7F | 14 |
| 22.00 | 17.70 | -2134 | -13APB7F | 13 |
| 20.75 | 16.45 | -2124 | -12APB7F | 12 |
| 19.50 | 15.20 | -2114 | -11APB7F | 11 |
| 18.25 | 13.95 | -2104 | -10APB7F | 10 |
| 17.00 | 12.70 | -2094 | -09APB7F | 9 |
| 15.75 | 11.45 | -2084 | -08APB7F | 8 |
| 14.50 | 10.20 | -2074 | -07APB7F | 7 |
| 13.25 | 8.95 | -2064 | -06APB7F | 6 |
| 12.00 | 7.70 | -2054 | -05APB7F | 5 |
| 10.75 | 6.45 | -2044 | -04APB7F | 4 |
| 9.50 | 5.20 | 39-53-2034 | 5597-03APB7F | 3 |
| B | A | EDP NO. | ENG NO. | 極数 CKT. |

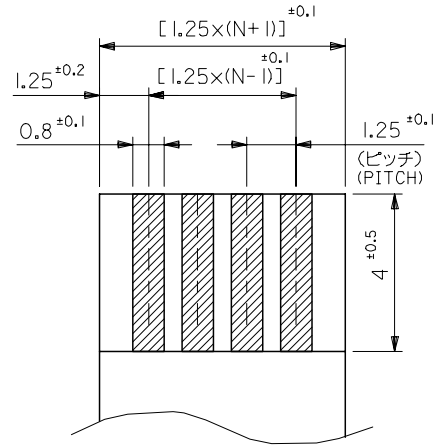
| | |
|---|-------------------------------------|
| 材料 MATERIAL | HOUSING, ACTUATOR : PBTP, UL94V-0 |
| TERMINAL : PHOSPHOR-BRONZE | THK : 0.3t |
| 仕上げ FINISH | TIN-BISMUTH : 10 MICROMETER MINIMUM |
| OVER NICKEL PLATING : 10 MICROMETER MINIMUM | |
| 適用電線範囲 WIRE RANGE | — # — |
| 被覆外径 INS. RANGE | — # — |

| | |
|-------------------|-------------|
| REVISED | DESCRIPTION |
| EC NO: J2007-2876 | 2007/04/19 |
| DRW:KSAIT001 | 2007/04/19 |
| CHKD:THARUYAMA | 2007/04/19 |
| APPR:NUKITA | 2007/04/20 |
| B | |

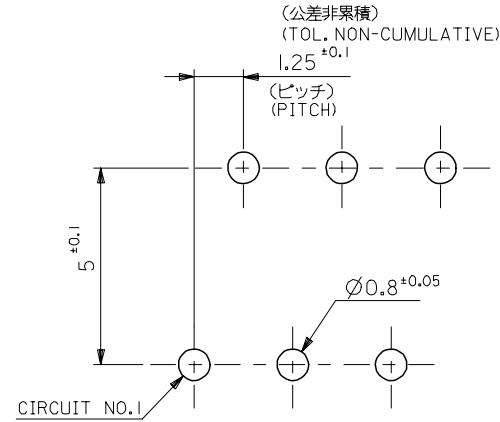
| | |
|--|-------|
| GENERAL TOLERANCES (UNLESS SPECIFIED) | |
| 10 UNDER | ±0.2 |
| 10 OVER 30 UNDER | ±0.25 |
| 30 OVER | ±0.3 |
| ANGULAR | ±3 ° |
| DRAFT WHERE APPLICABLE MUST REMAIN WITHIN DIMENSIONS | |

| | |
|----------------------------|-----------|
| DIMENSION STYLE MM ONLY | |
| DRAWN BY | DATE |
| M. NAGATA | '04/05/10 |
| CHECKED BY | DATE |
| K. TOJO | '04/05/10 |
| APPROVED BY | DATE |
| M. SASAO | '04/05/10 |
| MATERIAL NO. | SEE CHART |
| SIZE | A3 |

| | | | |
|---|--------------|-----------|-------------|
| SCALE | DESIGN UNITS | MODEL NO. | 5597-NAPB7F |
| --- | METRIC | ENG NO. | |
| THIRD ANGLE PROJECTION | | | |
| TITLE | | | |
| 1.25 FPC CONNECTOR | | | |
| ASSY ZIF | | | |
| -LEAD FREE- | | | |
| MOLEX INCORPORATED | | | |
| DOCUMENT NO. | SD-5597-011 | SHEET NO. | 1 OF 2 |
| THIS DRAWING CONTAINS INFORMATION THAT IS PROPRIETARY TO MOLEX INCORPORATED AND SHOULD NOT BE USED WITHOUT WRITTEN PERMISSION | | | |



適合FPC/FFC推奨寸法
RECOMMENDED FPC/FFC
厚さ THK : 0.3^{±0.05}



基板取付穴推奨寸法 (t=1.6)
RECOMMENDED P.C. BOARD
HOLE DIMENSION

FPC/FFCについて:

打抜き方向は導体側から補強板側を推奨いたします。
導体部については軟銅箔35マイクロメートルまたは50マイクロメートルを推奨いたします。

ABOUT FPC/FFC

RECOMMENDED PUNCHER DIRECTION : FROM CONDUCTOR SIDE TO STIFFENER FILM SIDE.
RECOMMENDED CONDUCTOR SPEC :
THICKNESS OF SOFT COPPER FOIL : 35 MICROMETER OR 50 MICROMETER.

FPCについて:

補強フィルム材質はポリイミドを推奨します。
接着剤は熱硬化接着剤を推奨します。

ABOUT FPC

RECOMMENDED MATERIAL :
STIFFENER FILM : POLYIMIDE
BONDING AGENT : THERMOSETTING BONDING AGENT

MODEL NO. 5597-NAPB7F

| | | | | | | | | |
|---|---------------------------------------|------------|----------------------------|--|--|-------------------------|------------------------|--|
| REVISED EC NO: J2007-2876 DRWN:KSAIT001 2007/04/19 CHKD:THARUYAMA 2007/04/19 APPR:NUKITA 2007/04/20 | GENERAL TOLERANCES (UNLESS SPECIFIED) | | DIMENSION STYLE MM ONLY | | SCALE --- | DESIGN UNIT'S METRIC | THIRD ANGLE PROJECTION | |
| | 10 UNDER | ± 0.2 | DRAWN BY M. NAGATA | DATE '04/05/10 | TITLE 1.25 FPC CONNECTOR ASSY ZIF -LEAD FREE- | | | |
| | 10 OVER 30 UNDER | ± 0.25 | CHECKED BY K. TOJO | DATE '04/05/10 | MOLEX INCORPORATED | | | |
| | 30 OVER | ± 0.3 | APPROVED BY M. SASAO | DATE '04/05/10 | DOCUMENT NO. SD-5597-011 | | SHEET NO. 2 OF 2 | |
| | ANGULAR | ± 3 ° | MATERIAL NO. SEE CHART | | | | | |
| DRAFT WHERE APPLICABLE MUST REMAIN WITHIN DIMENSIONS | | SIZE A3 | | THIS DRAWING CONTAINS INFORMATION THAT IS PROPRIETARY TO MOLEX INCORPORATED AND SHOULD NOT BE USED WITHOUT WRITTEN PERMISSION | | | | |