

**PLEASE CHECK WWW.MOLEX.COM FOR LATEST PART INFORMATION**

**Part Number:** **0530140910**  
**Status:** **Active**  
**Description:** 2.00mm (.079") Pitch MicroBlade™ Wire-to-Board Header, Vertical, 9 Circuits

**Documents:**

[3D Model](#) [Product Specification PS-51004-002 \(PDF\)](#)  
[Drawing \(PDF\)](#) [RoHS Certificate of Compliance \(PDF\)](#)

**Agency Certification**

CSA LR19980  
 UL E29179

**General**

Product Family PCB Headers  
 Series [53014](#)  
 Application Wire-to-Board  
 MolexKits Yes  
 Product Name MicroBlade™

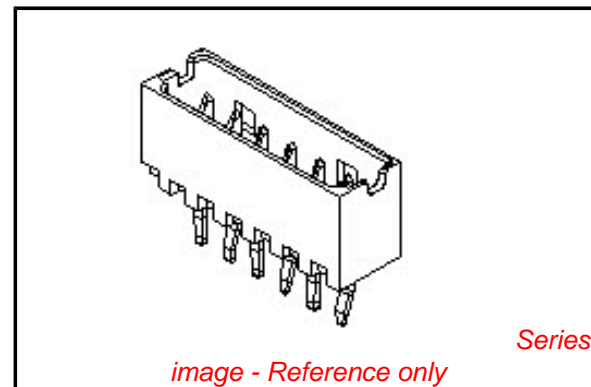
**Physical**

Breakaway No  
 Circuits (Loaded) 9  
 Durability (mating cycles max) 30  
 First Mate / Last Break No  
 Flammability 94V-0  
 Glow-Wire Compliant No  
 Guide to Mating Part No  
 Keying to Mating Part None  
 Lock to Mating Part Yes  
 Material - Metal Phosphor Bronze  
 Material - Plating Mating Tin  
 Material - Plating Termination Tin  
 Material - Resin Nylon  
 Number of Rows 1  
 Orientation Vertical  
 PC Tail Length (in) 0.138 In  
 PC Tail Length (mm) 3.50 mm  
 PCB Locator No  
 PCB Retention Yes  
 PCB Thickness Recommended (in) 0.062 In  
 PCB Thickness Recommended (mm) 1.60 mm  
 Packaging Type Bag  
 Pitch - Mating Interface (in) 0.079 In  
 Pitch - Mating Interface (mm) 2.00 mm  
 Polarized to PCB No  
 Shrouded Fully  
 Stackable No  
 Surface Mount Compatible (SMC) No  
 Temperature Range - Operating -20°C to +85°C  
 Termination Interface: Style Through Hole

**Electrical**

Current - Maximum per Contact 2A  
 Voltage - Maximum 125V

**Material Info**



**EU RoHS**

**ELV and RoHS Compliant**  
**REACH SVHC**  
 Not Reviewed  
**Halogen-Free Status**  
**Not Reviewed**

**China RoHS**



**Need more information on product environmental compliance?**

Email [productcompliance@molex.com](mailto:productcompliance@molex.com)  
 For a multiple part number RoHS Certificate of Compliance, [click here](#)

Please visit the [Contact Us](#) section for any non-product compliance questions.

**Search Parts in this Series**

[53014Series](#)

**Mates With**

[51004](#) Crimp Housing. [50011](#) Crimp Terminal

## Reference - Drawing Numbers

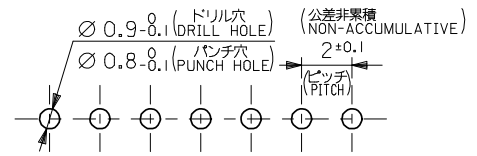
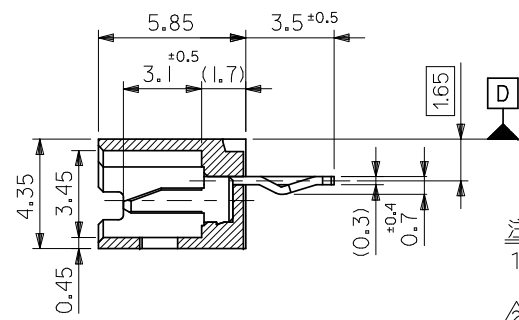
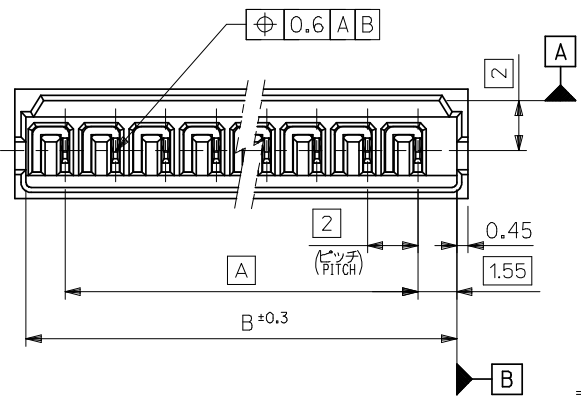
Packaging Specification  
Product Specification

SPK-53014-001  
PS-51004-002, RPS-51004-001, RPS-51004-002,  
RPS-51004-003, RPS-51004-004, RPS-51004-008,  
RPS-51004-010, RPS-51004-011, RPS-51004-014,  
RPS-51004-018, RPS-51004-019, RPS-51004-020,  
RPS-51004-022, RPS-51004-023, RPS-51004-024,  
RPS-51004-025, RPS-53014-001  
SD-53014-001

Sales Drawing

This document was generated on 06/07/2010

**PLEASE CHECK [WWW.MOLEX.COM](http://WWW.MOLEX.COM) FOR LATEST PART INFORMATION**

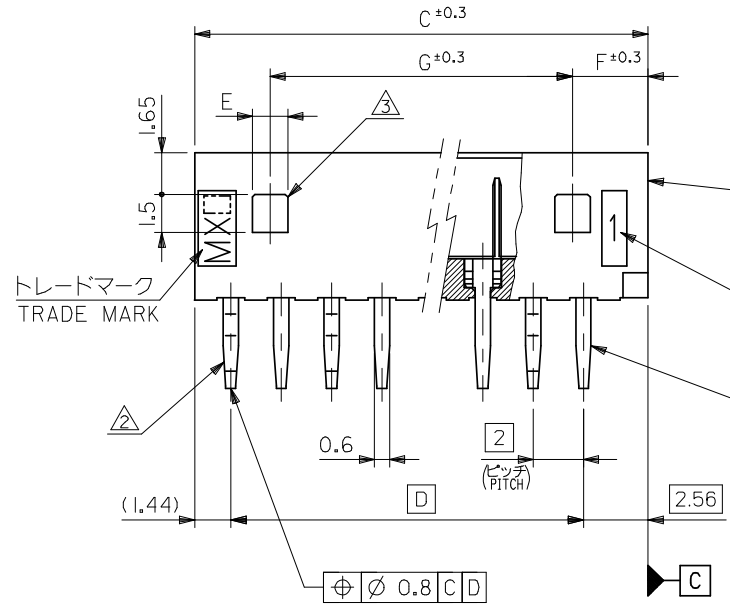
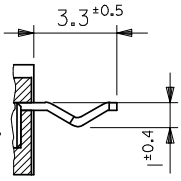


基板取付穴推奨寸法 (参考)  
RECOMMENDED P.C.BOARD HOLE DIMENSION (REFERENCE)

注記 NOTES

- 1. 嵌合相手 : 51004-\*\*00  
MATES WITH : 51004-\*\*00
- △ 3極以上のキンク加工については、トレードマーク側からキンク、ストレートの順に、1極おきに2箇所以上に施すこと。  
KINK TO BE ADDED ON THE ODD NUMBER SOLDER TAILS. (FROM THE TRADE MARK SIDE.)
- △ ロック用の穴は、2極品及び3極品に1ヶ、4極品以上は2ヶとする。  
LOCKING HOLE : 1 PLACE FOR 2, 3 CKTS, 2 PLACES FOR 4 CKTS. AND MORE THAN 4 CKTS.

2極品のキンク形態図  
KINK FORM FOR 2 CKTS.  
両方のテールにキンクを施す。  
SOLDER TAIL KINK SHOULD BE ADDED ON BOTH TAILS.



26	3	1.4	28	32	31.1	28	53014-1510	15
24	3	1.4	26	30	29.1	26	-1410	14
22	3	1.4	24	28	27.1	24	-1310	13
20	3	1.4	22	26	25.1	22	-1210	12
18	3	1.4	20	24	23.1	20	-1110	11
16	3	1.4	18	22	21.1	18	-1010	10
14	3	1.4	16	20	19.1	16	-0910	9
12	3	1.4	14	18	17.1	14	-0810	8
10	3	1.4	12	16	15.1	12	-0710	7
8	3	1.4	10	14	13.1	10	-0610	6
6	3	1.4	8	12	11.1	8	-0510	5
4	3	1.4	6	10	9.1	6	-0410	4
—	4	3.4	4	8	7.1	4	-0310	3
—	3	1.4	2	6	5.1	2	53014-0210	2
G	F	E	D	C	B	A	PLASTIC BAG	極数 NO. OF CKTS.
							ORDER No. オーダー番号	53014-**10
							MODEL NO.	53014-**10

REVISED EC NO: J2009-0377 DRWN: MWABEJ 2008/08/07 CHKD: THARUYAMA 2008/08/18 APPR: NUKITA 2008/08/19	DESCRIPTION 10 UNDER ±0.2 10 OVER 30 UNDER ±0.25 30 OVER ±0.3 ANGULAR ±3 ° DRAFT WHERE APPLICABLE MUST REMAIN WITHIN DIMENSIONS	GENERAL TOLERANCES (UNLESS SPECIFIED)		DIMENSION STYLE MM ONLY		SCALE 5:1		DESIGN UNITS METRIC		THIRD ANGLE PROJECTION	
		DRAWN BY M. HENMI		DATE '92/03/06		TITLE 2.0 LOW PROFILE WAFER ASSY		MOLEX INCORPORATED		SHEET NO. 1 OF 1	
		CHECKED BY M. FUKUSHIMA		DATE '92/05/28		APPROVED BY M. ENOMOTO		DATE '92/05/28		DOCUMENT NO. SD-53014-001	
		MATERIAL NO. SEE TABLE		THIS DRAWING CONTAINS INFORMATION THAT IS PROPRIETARY TO MOLEX INCORPORATED AND SHOULD NOT BE USED WITHOUT WRITTEN PERMISSION		SIZE A3		INCORPORATED AND SHOULD NOT BE USED WITHOUT WRITTEN PERMISSION		EN-02JA(021)	