

PLEASE CHECK WWW.MOLEX.COM FOR LATEST PART INFORMATION

Part Number: **0740581014**
Status: **Active**
Overview: vhdm
Description: 2.00mm (.079") Pitch VHDM® Board-to-Board Backplane Header, Vertical, 6-Row, Pin End Version, 60 Circuits, Pin Length 5.15mm (.203")

Documents:

[3D Model](#) [RoHS Certificate of Compliance \(PDF\)](#)
[Drawing \(PDF\)](#)

General

Product Family	Backplane Connectors
Series	74058
Application	Backplane
Application Tooling Documents	http://www.molex.com/pdm_docs/ats/TM-622010999.pdf >Tooling Manual
Comments	Keying Postion A
Component Type	PCB Header
Overview	vhdm
Product Name	VHDM®
Style	N/A

Physical

Circuits (Loaded)	60
Circuits (maximum)	60
Color - Resin	Black
Durability (mating cycles max)	200
First Mate / Last Break	No
Guide to Mating Part	Yes
Keying to Mating Part	Yes
Material - Metal	Beryllium Copper, High Performance Alloy (HPA), Stainless Steel
Material - Plating Mating	Gold
Material - Plating Termination	Tin-Lead
Material - Resin	High Temperature Thermoplastic
Number of Columns	N/A
Number of Pairs	Open Pin Field
Number of Rows	6
Orientation	Vertical
PC Tail Length (in)	0.098 In
PC Tail Length (mm)	2.50 mm
PCB Locator	No
PCB Retention	None
PCB Thickness Recommended (in)	0.071 In
PCB Thickness Recommended (mm)	1.80 mm
Packaging Type	Tube
Pitch - Mating Interface (in)	0.079 In
Pitch - Mating Interface (mm)	2.00 mm
Pitch - Term. Interface (in)	0.039 In
Pitch - Term. Interface (mm)	1.00 mm
Plating min: Mating (µin)	30
Plating min: Mating (µm)	0.75
Plating min: Termination (µin)	30
Plating min: Termination (µm)	0.75
Polarized to PCB	Yes
Stackable	No

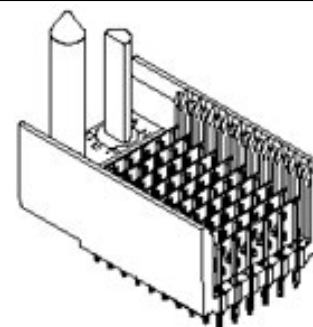


image - Reference only

Series

EU RoHS

RoHS Compliant by Exemption
REACH SVHC
Contains SVHC: No
Halogen-Free
Status
Not Reviewed

China RoHS



Pb

Need more information on product environmental compliance?

Email productcompliance@molex.com
 For a multiple part number RoHS Certificate of Compliance, [click here](#)

Please visit the [Contact Us](#) section for any non-product compliance questions.

Search Parts in this Series

[74058Series](#)

Mates With

[74030 VHDM® Board-to-Board Daughtercard Receptacle](#)

Application Tooling | FAQ

Tooling specifications and manuals are found by selecting the products below. Crimp Height Specifications are then contained in the Application Tooling Specification document.

Global

Description	Product #
Flat Rock Tooling for Pneumatic Press	0622013700
VHDM® Insertion Module for Advanced Mate Signal Header, 6 Row by 11 Wide, 20.00mm (.787")	0622011101
VHDM® Signal Pin Inserter Repair Tool	0622015700

Surface Mount Compatible (SMC) Yes
Temperature Range - Operating 105°C
Termination Interface: Style Through Hole - Compliant Pin

Electrical

Current - Maximum per Contact 1A
Data Rate 3.125 Gbps
Real Signals (per 25mm) 75
Shield Type Ground Plane Shield
Shielded Yes
Voltage - Maximum 120V AC (RMS)/DC

Material Info

VHDM and Very High Density Metric are trademarks of Amphenol Corporation

VHDM® 6 Row Pin and Shield Repair Tool [0622015800](#)

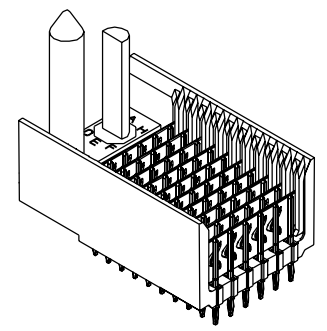
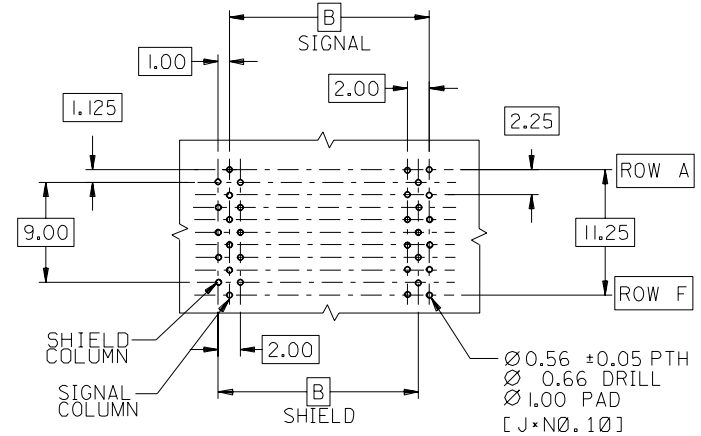
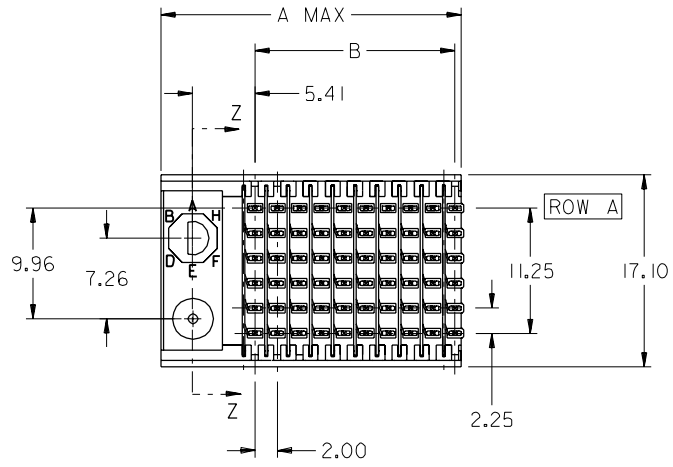
VHDM® 6 Row Shield Extraction Tool [0622016000](#)

VHDM® Insertion Module for Advanced Mate Signal Header, 6 Row by 10 Wide, 20.00mm (.787") [0622020203](#)

VHDM® Insertion Module for Advanced Mate Signal Header, 6 Row by 10 Wide, 20.00mm (.787") [0622020207](#)

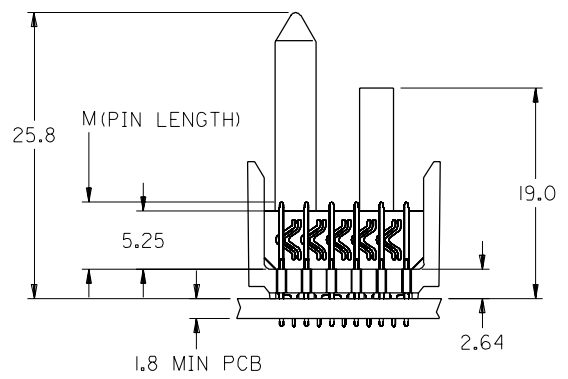
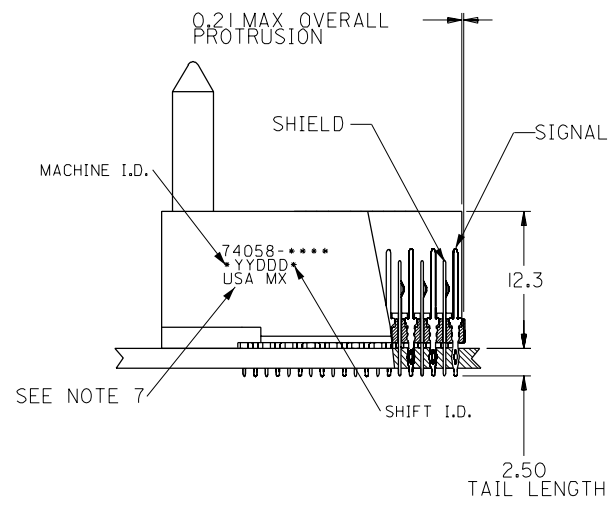
This document was generated on 05/19/2010

PLEASE CHECK WWW.MOLEX.COM FOR LATEST PART INFORMATION



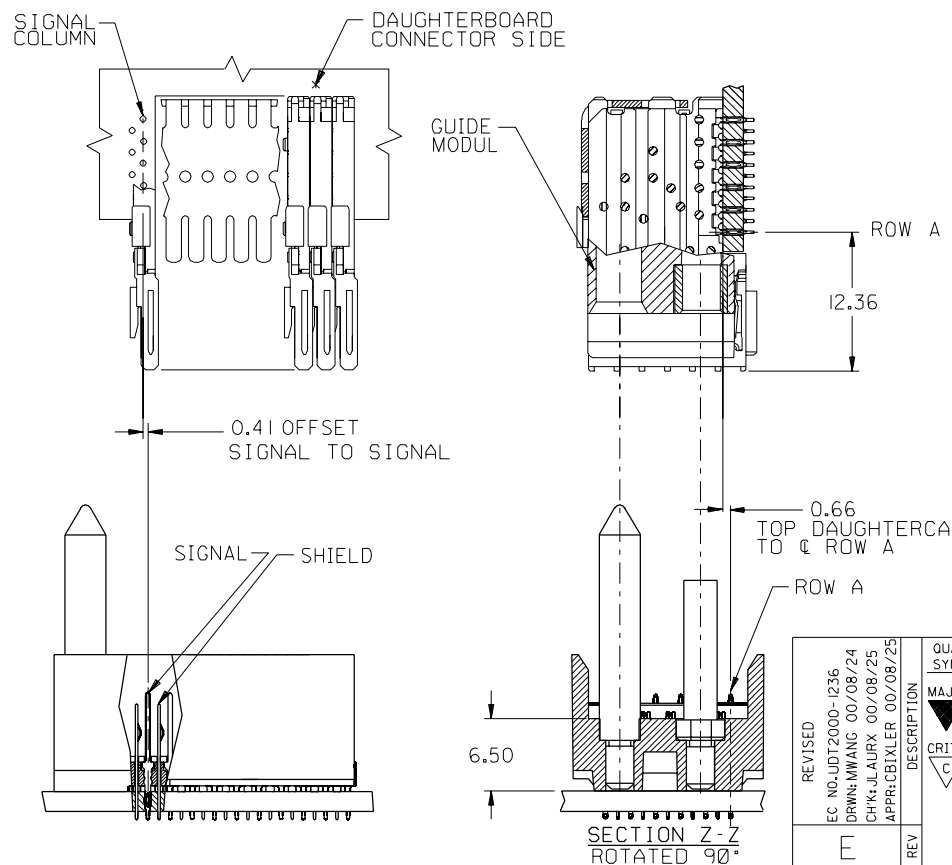
BACKPLANE HOLE PATTERN
RECOMMENDED DIMENSIONS

- NOTES:
- MATERIALS:
HOUSING - GLASS-FILLED, UL 94V-0, COLOR: BLACK.
SIGNAL PIN & SHIELD - COPPER ALLOY
 - FINISHES:
SELECTIVE GOLD (Au) IN CONTACT AREA, 0.00076mm MINIMUM THICKNESS; SELECTIVE TIN/LEAD (Sn/Pb) ON PCB TAILS, 0.00038-0.00125mm THICK; NICKEL (Ni) OVERALL.
 - THIS PART CONFORMS TO MOLEX PRODUCT SPECIFICATION PS-74031-999
 - FOR MIXED CONTACT MATING LENGTHS, CONSULT MOLEX FOR AVAILABILITY.
 - FOR SPECIFIC MATERIAL NUMBERS AND MATING INFORMATION REFER TO SHEET 2.
 - PACKAGE PER PK-74058-003.
 - EITHER MARK PARTS WITH PART NUMBER AND DATE CODE APPROXIMATELY WHERE SHOWN OR PLACE LABEL ON THE TUBE.



REVISED EC NO: JDT2000-1236 DRWN: MWANG 00/08/24 CHK: JLAURX 00/08/25 APPR: CBXILXR 00/08/25	QUALITY SYMBOLS MAJOR \blacktriangle = 4 CRITICAL ∇ = 0	GENERAL TOLERANCES: (UNLESS SPECIFIED)		SCALE 2.5:1	DESIGN UNITS <input checked="" type="checkbox"/> mm <input type="checkbox"/> INCH	DIMENSIONS: <input type="checkbox"/> mm <input type="checkbox"/> INCH <input checked="" type="checkbox"/> mm ONLY	THIRD ANGLE PROJECTION	SHEET NO. 1 OF 2	
		4 PLACES $\pm 0. - - \pm$	3 PLACES $\pm 0. - - \pm$	2 PLACES $\pm 0. - - \pm$	1 PLACE $\pm 0. - - \pm$	DRAWN BY & DATE MWANG 11/09/98	CHECKED BY & DATE JLAURX 11/09/98	APPROVED BY & DATE CBXILXR 11/09/98	TITLE: VHDM BACKPLANE 6 ROW SIGNAL-PIN END SALES DRAWING
		ANGULAR: $\pm - 0$		DRAFT WHERE APPLICABLE MUST REMAIN WITHIN DIMENSIONS		CAD FILENAME SD-74058-002.DGN	MATERIAL NO. SEE SHEET 2	DRAWING NO. SD-74058-002	SIZE B
		THIS DRAWING CONTAINS INFORMATION THAT IS PROPRIETARY TO MOLEX INCORPORATED AND SHOULD NOT BE USED WITHOUT WRITTEN PERMISSION.							

M/N 74058-()	-**0*	-**1*	-**2*	-**3*	-**4*	-**5*	-**6*	-**7*	-**8*
KEYING PIN ORIENTATION	O	A	B	C	D	E	F	G	H



NUMBER OF COLUMN: 7 4 0 5 8 * * * *

CONTACT LOAD (PIN LENGTH):
 1 = 4.75
 2 = 6.25
 3 = 4.25
 4 = 5.15

MATERIAL NUMBER	COLUMN	TOTAL NUMBER OF SIGNAL CONTACTS	TOTAL NUMBER OF GROUND SHIELDS	A MAX	B	M
74058-10*1	10	60	10	27.00	18.00	4.75
74058-25*1	25	150	25	57.00	48.00	4.75
74058-10*2	10	60	10	27.00	18.00	6.25
74058-25*2	25	150	25	57.00	48.00	6.25
74058-10*3	10	60	10	27.00	18.00	4.25
74058-25*3	25	150	25	57.00	48.00	4.25
74058-10*4	10	60	10	27.00	18.00	5.15
74058-25*4	25	150	25	57.00	48.00	5.15

REVISED	DESCRIPTION	QUALITY SYMBOLS
EC NO: UDT2000-1236		MAJOR = 0
DRWN: MWANG 00/08/24		CRITICAL = 0
CHK: JLAURX 00/08/25		
APPR: CBIXLER 00/08/25		
REV		

GENERAL TOLERANCES: (UNLESS SPECIFIED)	
4 PLACES	±0. - - ±.
3 PLACES	±0. - - ±.
2 PLACES	±0. - - ±.
1 PLACE	±0. - - ±.
ANGULAR: ± - °	

SCALE: 2.5:1	DESIGN UNITS: <input checked="" type="checkbox"/> mm <input type="checkbox"/> INCH
DRAWN BY & DATE: MWANG 11/09/98	
CHECKED BY & DATE: JLAURX 11/09/98	
APPROVED BY & DATE: CBIXLER 11/09/98	
CAD FILENAME: SD-74058-002-DGN	

DIMENSIONS: <input type="checkbox"/> mm <input type="checkbox"/> INCH <input checked="" type="checkbox"/> mm ONLY		SHT	REV
THIRD ANGLE PROJECTION			REVISE ON CAD ONLY
TITLE: VHDM BACKPLANE 6 ROW SIGNAL-PIN END SALES DRAWING			
MOLEX INCORPORATED			
MATERIAL NO. SEE CHART	DRAWING NO. SD-74058-002	SHEET NO. 2	
DRAFT WHERE APPLICABLE MUST REMAIN WITHIN DIMENSIONS			SIZE B