

PLEASE CHECK WWW.MOLEX.COM FOR LATEST PART INFORMATION

Part Number: **0643201301**
Status: **Active**
Overview: cmc connectors
Description: CMC Wire Cap for 48 Circuits and 28 Circuits, CMC Receptacle Mat Sealed

Documents:

[3D Model](#) [Product Specification PS-64319-001 \(PDF\)](#)
[Drawing \(PDF\)](#) [RoHS Certificate of Compliance \(PDF\)](#)
[Application Specification \(PDF\)](#)

General

Product Family	Crimp Housings
Series	<u>64320</u>
Comments	* Current tested on a 5 terminals loaded connector, current for temperature increase of 40°C . Current max = 6.0A for 0.635mm Terminal (0.75mm ² wire) and 12.0A for 1.5mm Terminal (2.0mm ² wire) *
More Detailed Tech Information	Wire cap guides the wires from the connector either to the right or to the left
Overview	<u>cmc connectors</u>
Product Name	CMC

Physical

Circuits (maximum)	48
Circuits Detail	Wire Cap for 48 circuit Receptacle + for 28 circuit CMC Receptacle
Color - Resin	Black
Gender	N/A
Glow-Wire Compliant	No
Keying to Mating Part	N/A
Lock to Mating Part	Yes
Material - Resin	Nylon
Number of Rows	0
Packaging Type	Carton
Panel Mount	No
Pitch - Mating Interface (in)	0.000 In
Pitch - Mating Interface (mm)	0.00 mm
Polarized to Mating Part	N/A
Stackable	No
Temperature Range - Operating	-40°C to +125°C

Electrical

Current - Maximum per Contact	12A, 6A
-------------------------------	---------

Material Info

Reference - Drawing Numbers

Application Specification	AS-64318-001, AS-64319-001, AS-98993-011
Packaging Specification	PK-64320-002
Product Specification	PS-64319-001
Sales Drawing	SD-64320-002, SD-98993-010

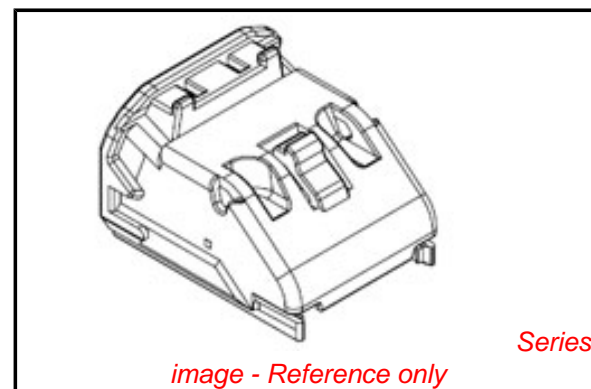


image - Reference only

EU RoHS

ELV and RoHS Compliant
REACH SVHC
Contains SVHC: No
Halogen-Free Status

China RoHS



Need more information on product environmental compliance?

Email productcompliance@molex.com
 For a multiple part number RoHS Certificate of Compliance, [click here](#)

Please visit the [Contact Us](#) section for any non-product compliance questions.

Search Parts in this Series

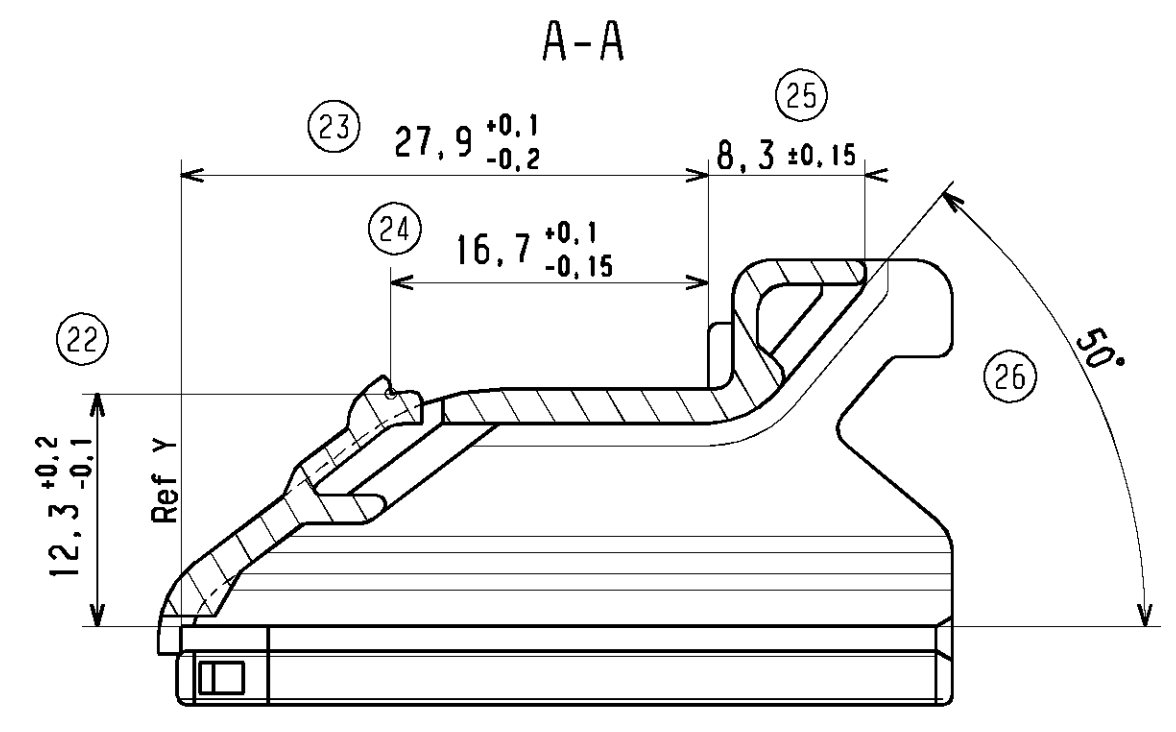
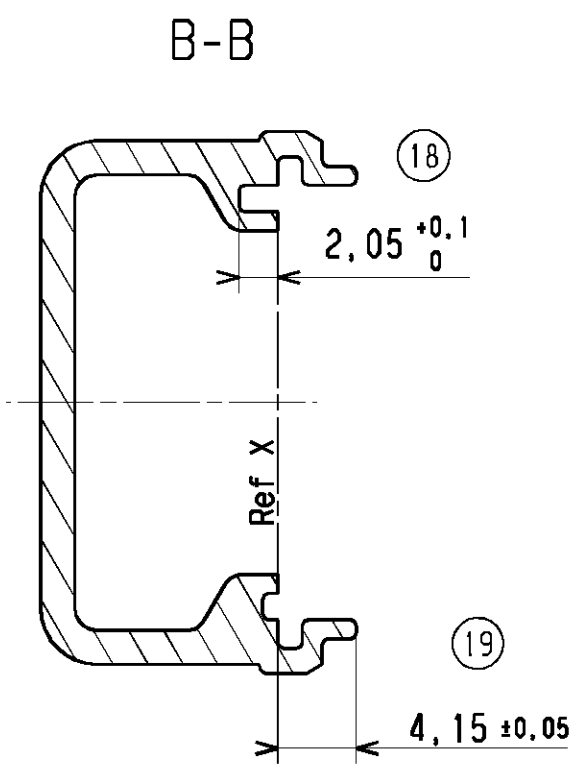
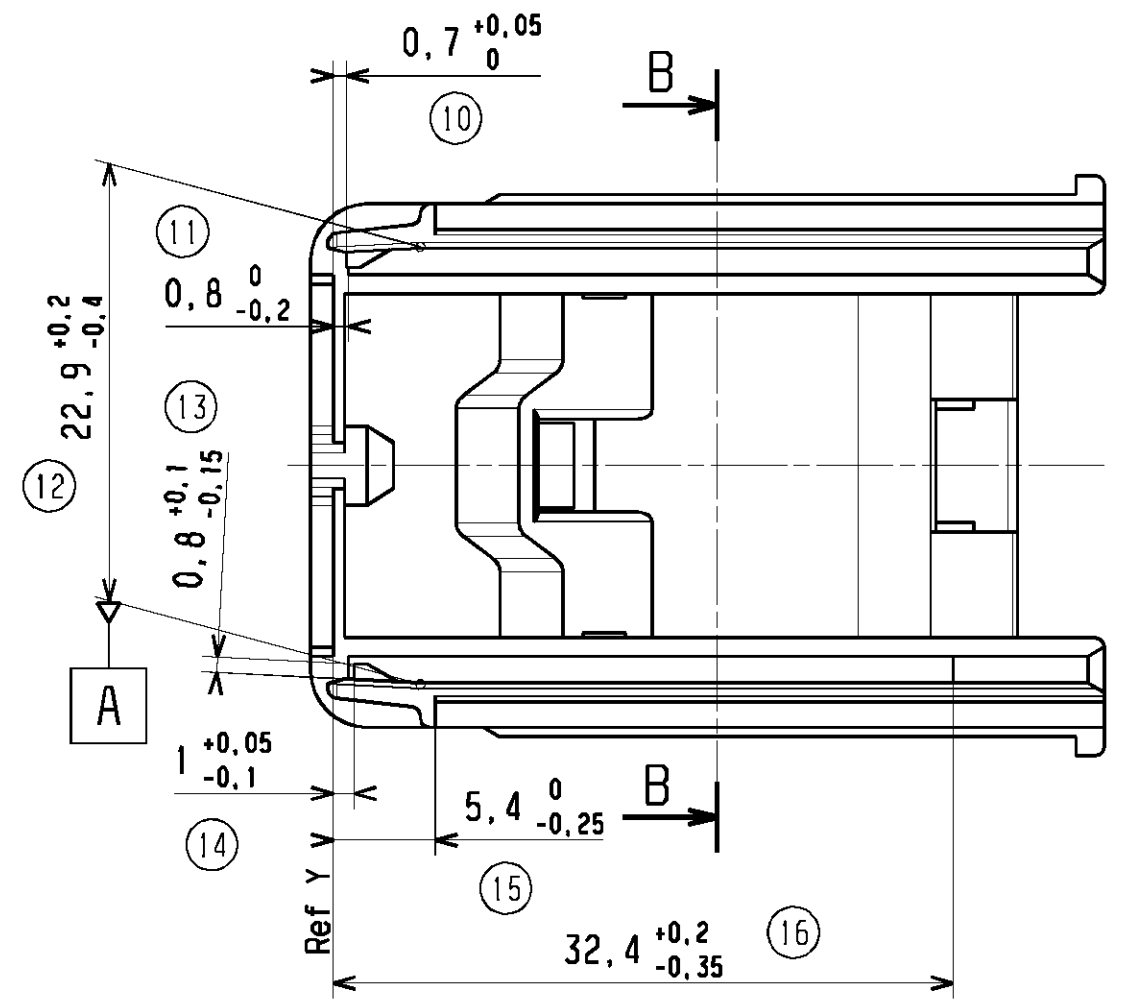
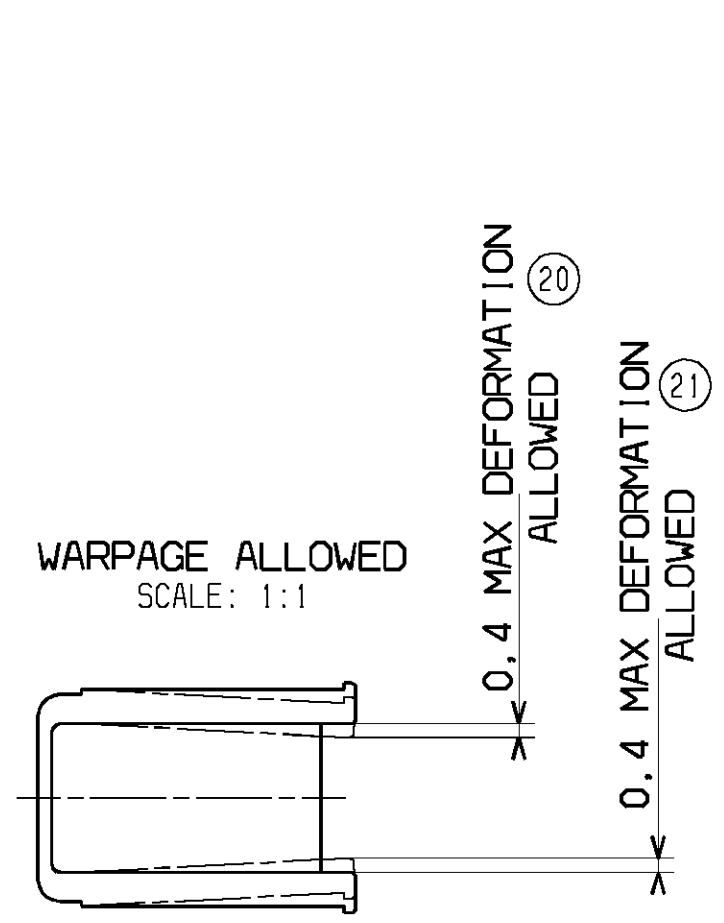
[64320Series](#)

Mates With

[64320 CMC Receptacle](#)

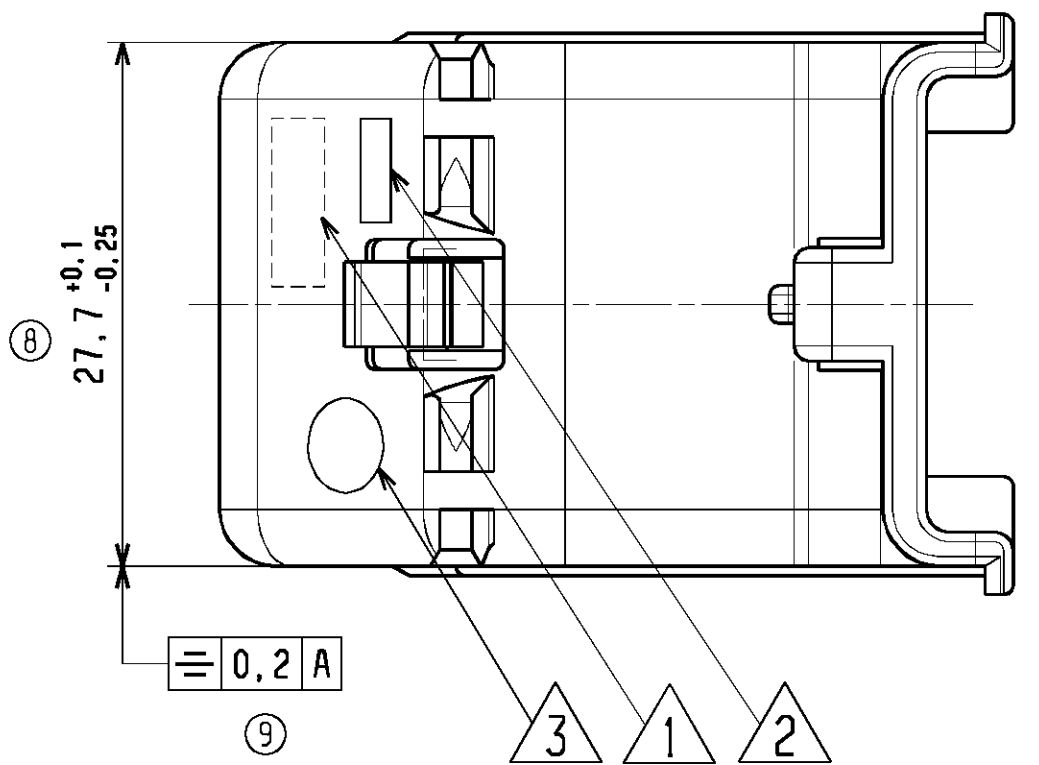
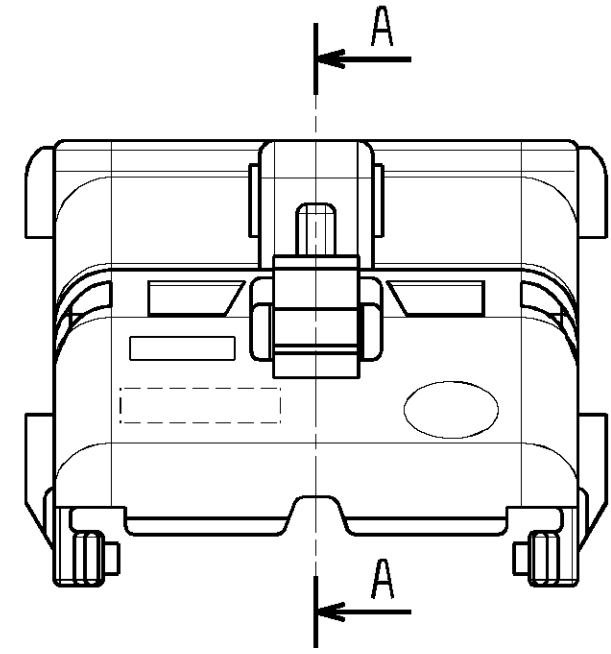
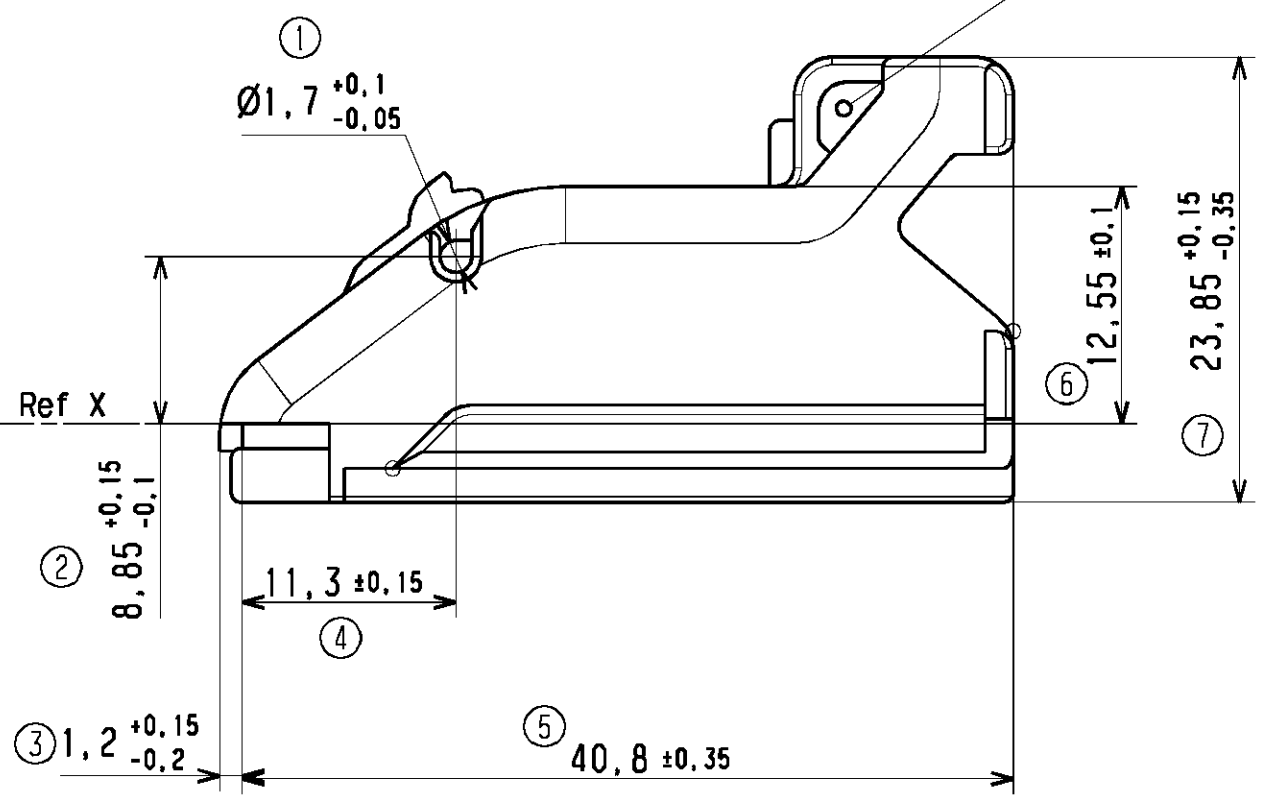
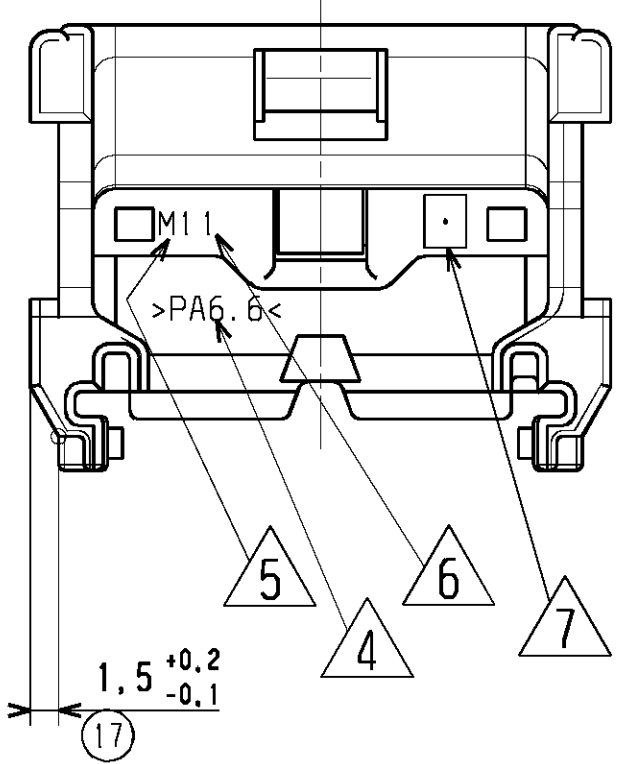
Use With

CMC Connector 48 Circuit [64320](#). CMC Connector 28 Circuit [64318](#)



This hole accept a cable-tie
maximum section 3,2x1,2mm

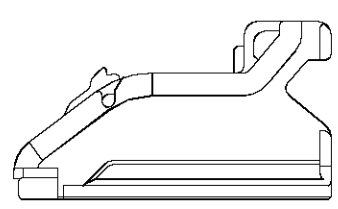
MARKINGS	
1	Supplier identification
2	Supplier part number
3	Date MONTH/YEAR
4	Material
5	Mould identification M1 ou M2
6	Print identification (number)
7	Revision level identification



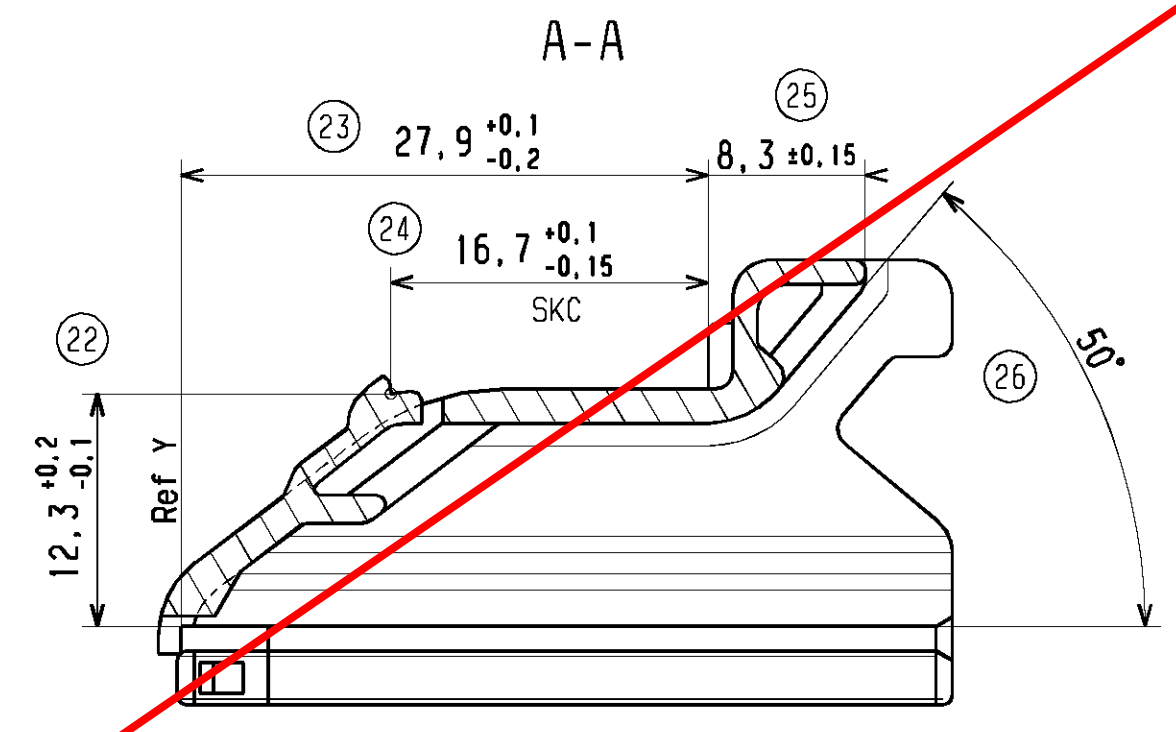
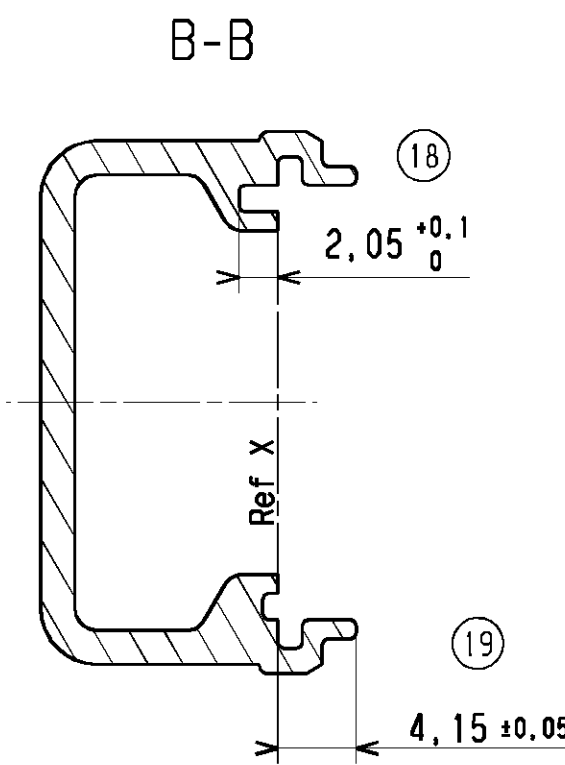
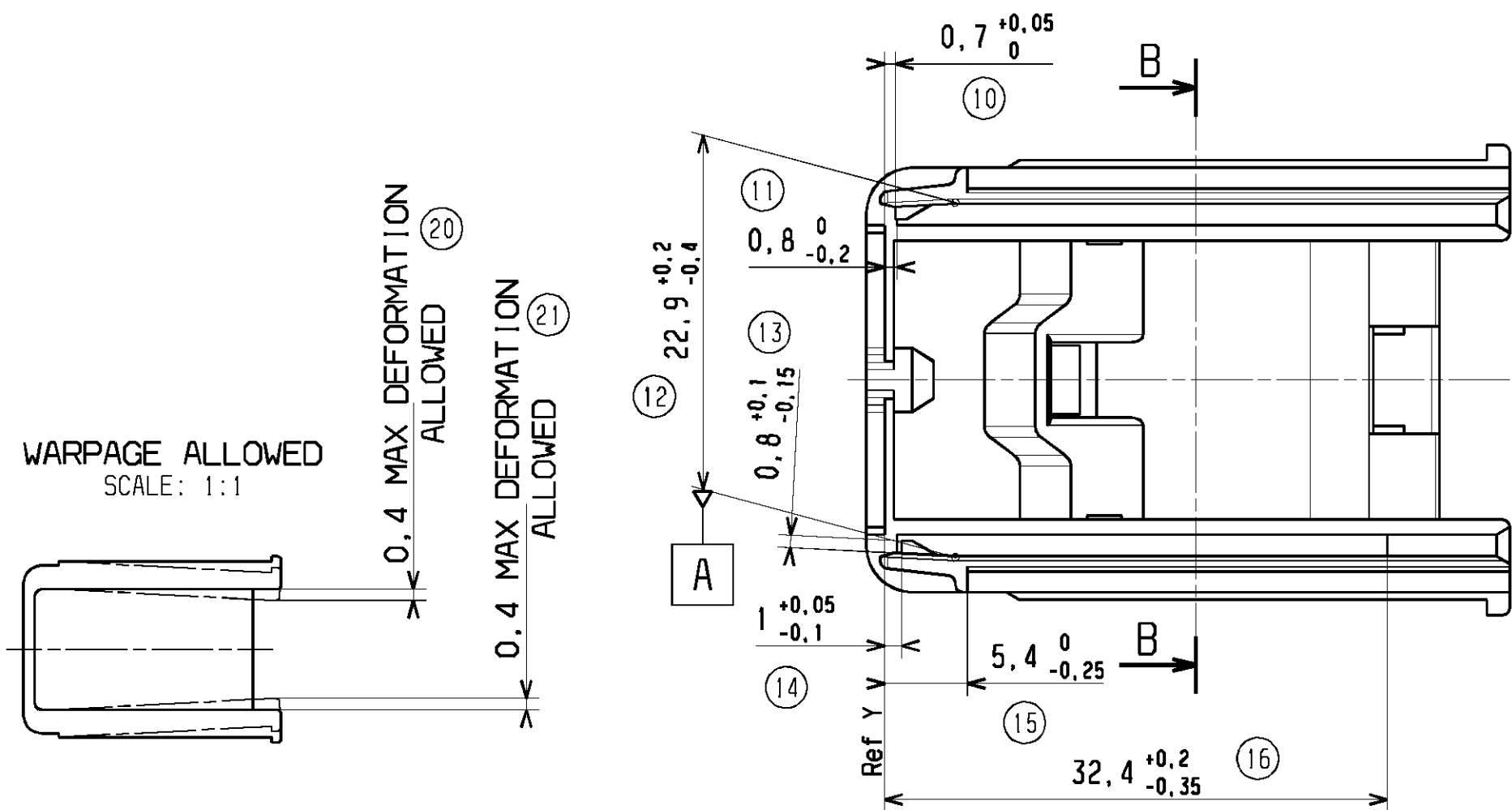
NOTES

- 1-MATERIAL : PA 6.6 BLACK heat stabilized
- 2-DELIVERED PRODUCT WEIGHT: 5.0 g
- 3-RELATED COUNTERPART FEMALE CONNECTORS (48WAY)

SCALE 1:1



UPDATED DRAWING EC NO: G2008-0367 DRWN: TBADAROUX 2008/05/16 CH *KD: PGRANDCL 2008/05/16 APPR: CBOUCHAN 2008/05/16	GENERAL TOLERANCES (UNLESS SPECIFIED)		DIMENSION STYLE MM ONLY		SCALE 2,5:1	DESIGN UNITS METRIC	FIRST ANGLE PROJECTION	
	4 PLACES ± ± 3 PLACES ± ± 2 PLACES ± 0.1 ± 1 PLACE ± 0.1 ± ANGULAR ± 2 °	mm INCH	DRAWN BY TBADAROUX	DATE 2007/07/16	TITLE WIRE CAP 48 WAY MAT SEAL VERSION			
DRAFT WHERE APPLICABLE MUST REMAIN WITHIN DIMENSIONS	APPROVED BY CBOUCHAN		DATE 2007/07/16	MOLEX INCORPORATED				
	MATERIAL NO. 0643201301		DOCUMENT NO. SD-64320-002		SHEET NO. 1 OF 1			
	THIS DRAWING CONTAINS INFORMATION THAT IS PROPRIETARY TO MOLEX INCORPORATED AND SHOULD NOT BE USED WITHOUT WRITTEN PERMISSION							



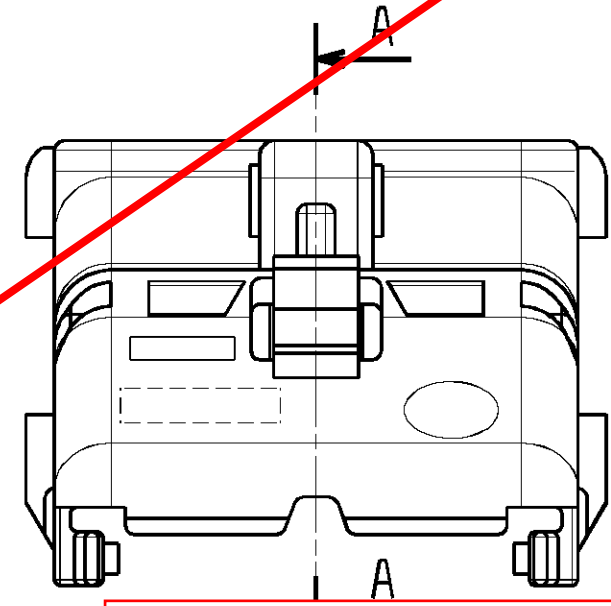
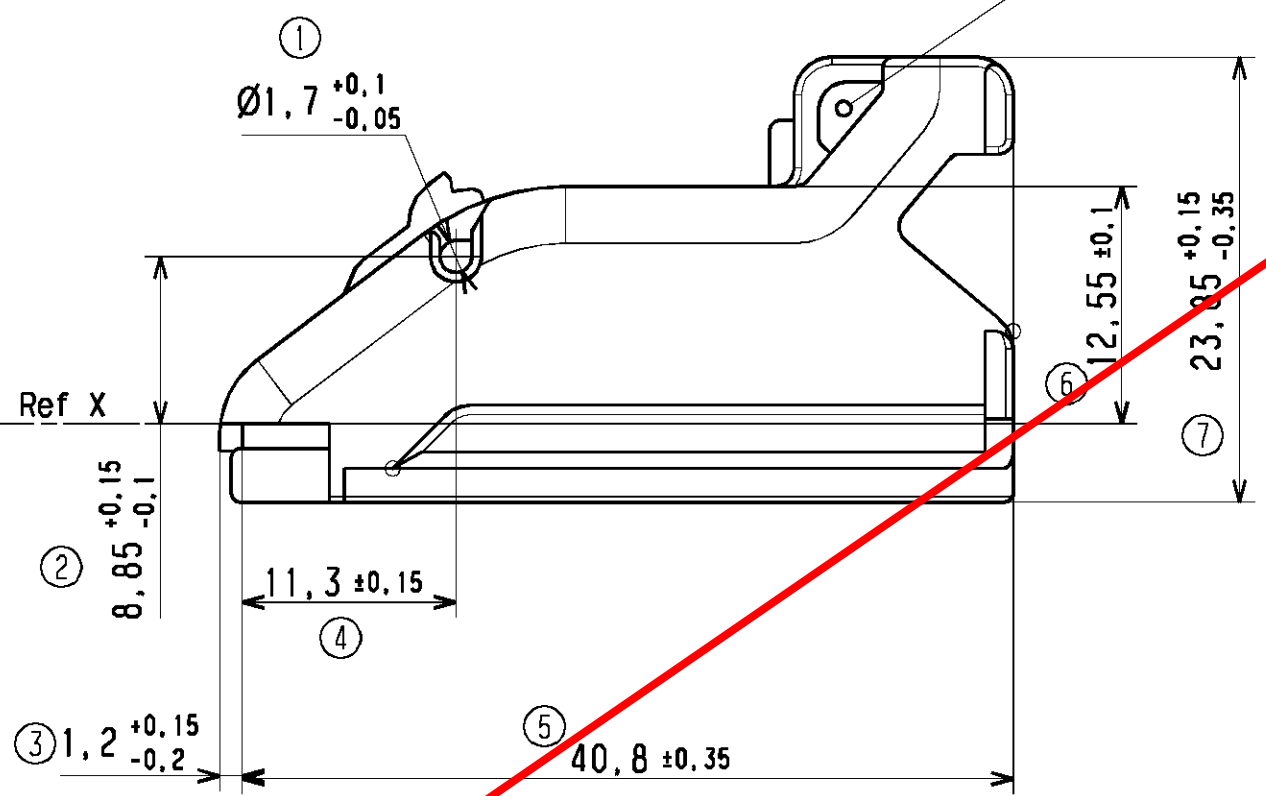
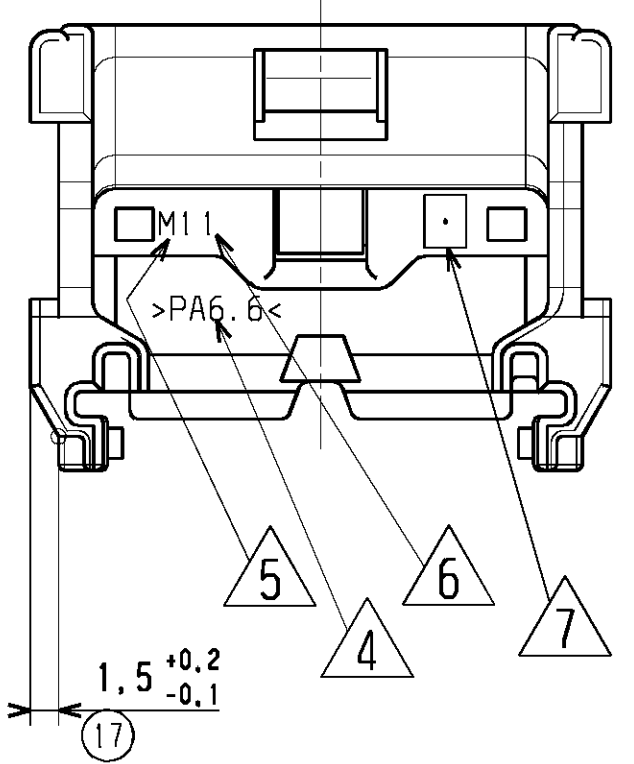
WARPAGE ALLOWED
SCALE: 1:1

0.4 MAX DEFORMATION ALLOWED (20)
0.4 MAX DEFORMATION ALLOWED (21)

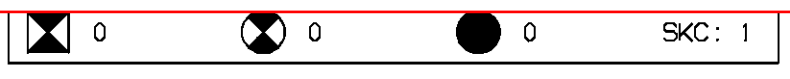
This hole accept a cable-tie maximum section 3,2x1,2mm

MARKINGS

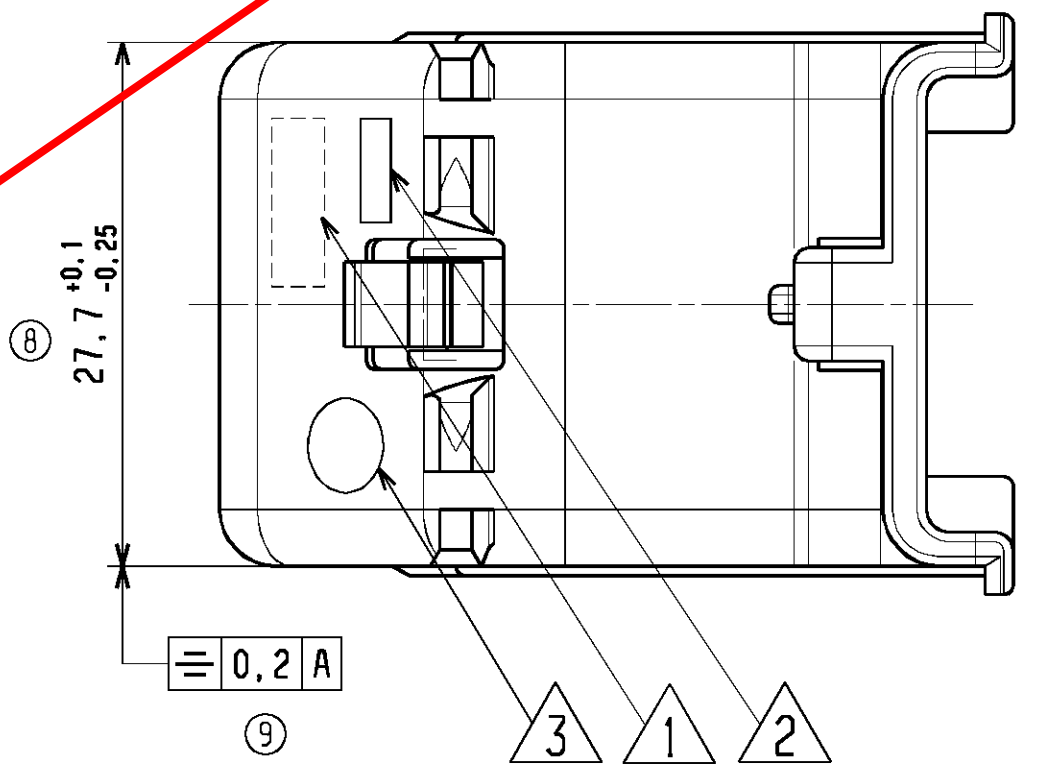
1	Supplier identification
2	Supplier part number
3	Date MONTH/YEAR
4	Material
5	Mould identification M1 ou M2
6	Print identification (number)
7	Revision level identification



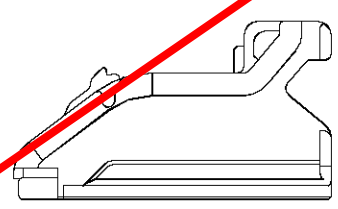
VOID AND SUPERSEDED BY SD-64320-002 rev B



- NOTES
- 1-MATERIAL : PA 6.6 BLACK heat stabilized
 - 2-DELIVERED PRODUCT WEIGHT: 5.0 g
 - 3-RELATED COUNTERPART FEMALE CONNECTORS T3 (48WAY)



SCALE 1:1



UPDATED DRAWING EC NO: G2008-0367 DRWN: TBADAROUX 2008/04/21 CH *KD: PGRANDCL 2008/04/21 APPR: CBOUCHAN 2008/04/21	GENERAL TOLERANCES (UNLESS SPECIFIED)		DIMENSION STYLE	SCALE	DESIGN UNITS	FIRST ANGLE PROJECTION
	mm	INCH	MM ONLY	2,5:1	METRIC	
DRAFT WHERE APPLICABLE MUST REMAIN WITHIN DIMENSIONS	4 PLACES ±	±	DRAWN BY	DATE	TITLE	
	3 PLACES ±	±	TBADAROUX	2007/07/16	WIRE CAP T3 48 WAY MATT SEAL VERSION	
ANGULAR ± 2 °	2 PLACES ± 0.1	±	CHECKED BY	DATE	MATERIAL NO.	
	1 PLACE ± 0.1	±	PGANDCLAUDE	2007/07/16	0643201301	
REV	APPROVED BY		DATE	DOCUMENT NO.		
	CBOUCHAN		2007/07/16	SD-98993-010		
SHEET NO.			THIS DRAWING CONTAINS INFORMATION THAT IS PROPRIETARY TO MOLEX INCORPORATED AND SHOULD NOT BE USED WITHOUT WRITTEN PERMISSION			
1 OF 1						