

THIS INFORMATION IS CONFIDENTIAL AND PROPRIETARY TO CW INDUSTRIES INCORPORATED AND ITS AFFILIATES. IT MAY NOT BE DISCLOSED TO ANYONE, OTHER THAN CW INDUSTRIES PERSONNEL, WITHOUT WRITTEN AUTHORIZATION FROM CW INDUSTRIES INCORPORATED, SOUTHAMPTON, PENNSYLVANIA USA.

Rating	10A 125V, 6A 250V AC 1/2HP 125/250VAC
	20A 14VDC, 10A 28VDC
Contact Resistance	50m ohm Max.
Insulation Resistance	DC 500V 100M ohm Min.
Dielectric Strength	AC 1500V 1 minute
Operation Temp.	- 25 °C ~ 85 °C
Function	4P DPST ON-OFF

Material:

Frame: Black, Nylon 66 (94-V2)

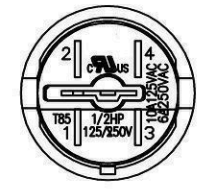
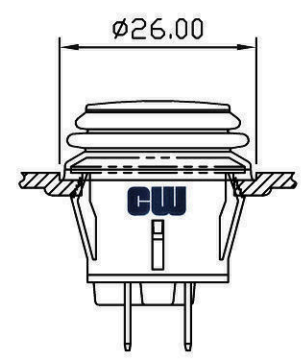
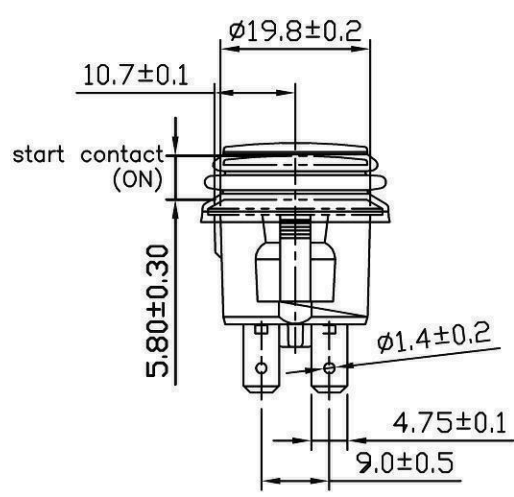
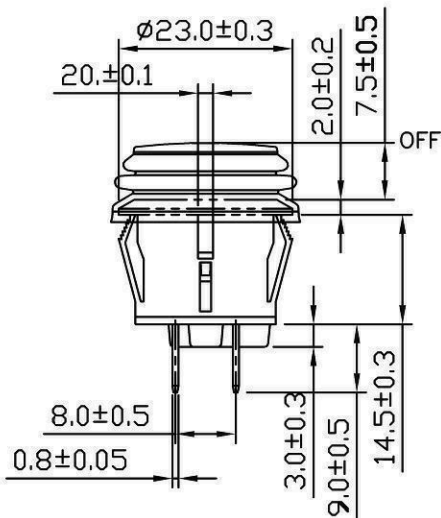
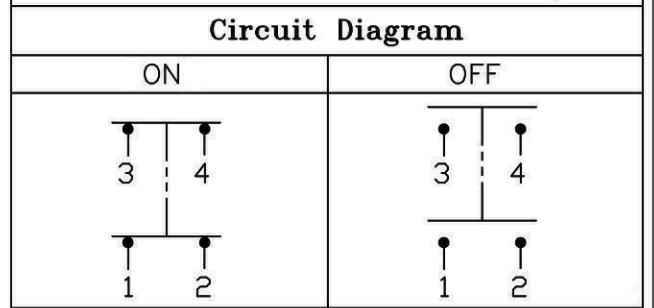
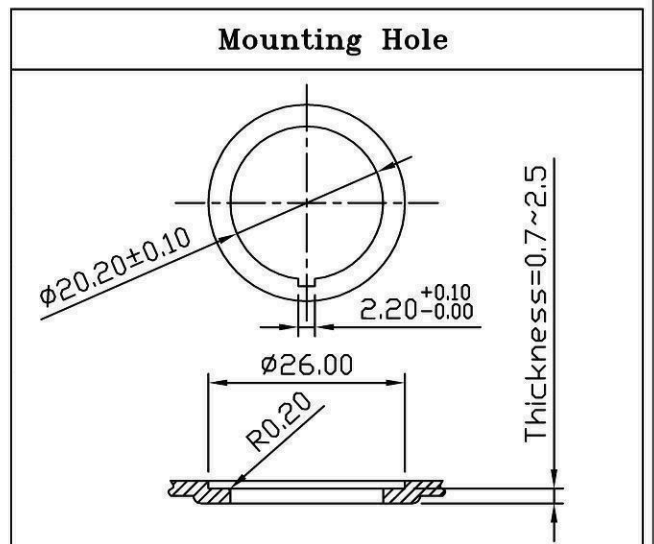
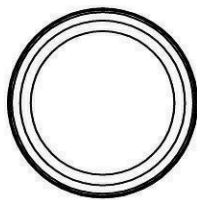
Actuator: Black, PC (94-V2)

Terminals: Silver plated, Copper alloy

Waterproof Rubber: Black, Silicone

Printed: None

Waterproof: IP65



RoHS Compliant

CW INDUSTRIES
Southampton, Pa. 18966
Tel 215.355.7080/www.cwind.com

Date Drawn: 9/12/06	Rev. 0	Unit: mm	Checked By: GG
Title: PUSH BUTTON SWITCH		CW P/N: GPB527B202BB	