

**PLEASE CHECK WWW.MOLEX.COM FOR LATEST PART INFORMATION**

**Part Number:** [0474036002](#)  
**Status:** **Active**  
**Overview:** [esatausb\\_combo\\_receptacles](#)  
**Description:** Combo External Serial ATA and USB Receptacles, Reverse Type, Through Hole, Right Angle, with Through Hole type Solder Tabs, Beveled Metal Pins and Mylar, Lead free

**Documents:**

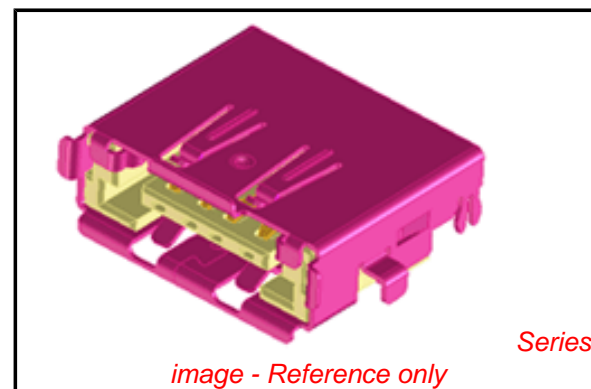
[3D Model](#) [Product Specification PS-47403-001 \(PDF\)](#)  
[Drawing \(PDF\)](#) [RoHS Certificate of Compliance \(PDF\)](#)

**General**

Product Family	I/O Connectors
Series	<a href="#">47403</a>
Application	Wire-to-Board
Comments	Through hole type front solder tabs . Reverse mounted on recessed PCB . Durability: 1,500 cycles for USB; 2,500 cycles for eSATA
Component Type	Receptacle
Overview	<a href="#">esatausb_combo_receptacles</a>
Product Name	eSATA/USB Combo, External Serial ATA, USB
Type	N/A

**Physical**

Circuits (Loaded)	4, 7
Circuits Detail	eSATA: 7 circuits; USB: 4 circuits
Color - Resin	Black
Durability (mating cycles max)	1,500
Gender	Male
Keying to Mating Part	Yes
Lock to Mating Part	Yes
Material - Metal	Copper Alloy
Material - Plating Mating	Gold
Material - Plating Termination	Tin
Material - Resin	High Temperature Thermoplastic
Number of Rows	2
Orientation	Right Angle
PCB Locator	No
PCB Retention	Yes
PCB Thickness Recommended (in)	0.047 In
PCB Thickness Recommended (mm)	1.20 mm
Packaging Type	Embossed Tape on Reel
Panel Mount	Yes
Pitch - Mating Interface (in)	0.050 In, 0.079 In, 0.098 In
Pitch - Mating Interface (mm)	1.27 mm, 2.00 mm, 2.50 mm
Pitch - Term. Interface (in)	0.050 In, 0.079 In, 0.098 In
Pitch - Term. Interface (mm)	1.27 mm, 2.00 mm, 2.50 mm
Plating min: Mating (µin)	30
Plating min: Mating (µm)	0.76
Plating min: Termination (µin)	80
Plating min: Termination (µm)	2
Polarized to Mating Part	Yes
Polarized to PCB	Yes
Ports	1
Temperature Range - Operating	-35°C to +85°C
Termination Interface: Style	Through Hole



*image - Reference only*

**EU RoHS**

**ELV and RoHS Compliant**  
**REACH SVHC**  
 Not Reviewed  
**Halogen-Free Status**

**China RoHS**



**Not Reviewed**

**Need more information on product environmental compliance?**

Email [productcompliance@molex.com](mailto:productcompliance@molex.com)  
 For a multiple part number RoHS Certificate of Compliance, [click here](#)

Please visit the [Contact Us](#) section for any non-product compliance questions.

**Search Parts in this Series**

[47403Series](#)

**Mates With**

External Serial ATA Cable Assembly or USB Type A Cable Assembly

**Electrical**

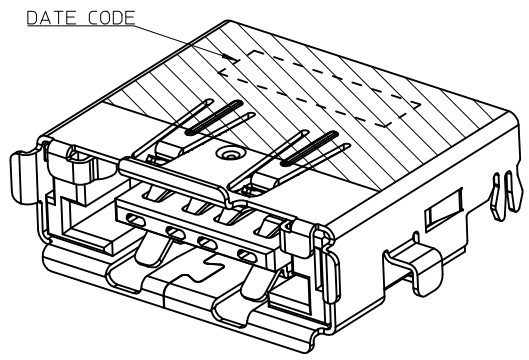
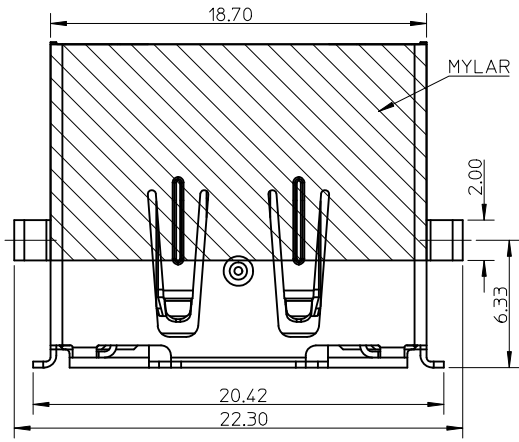
Current - Maximum per Contact	1.5A
Grounding to Panel	Yes
Shield Type	Full Shield
Shielded	Yes
Voltage - Maximum	15V DC

**Material Info****Reference - Drawing Numbers**

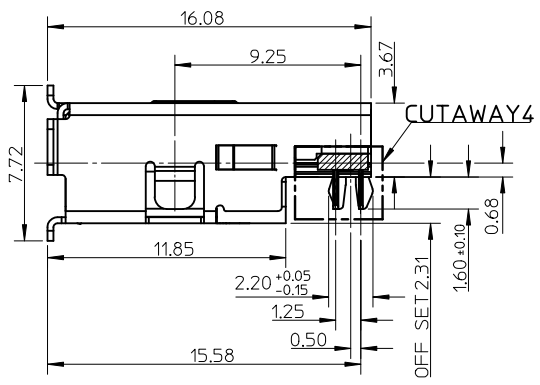
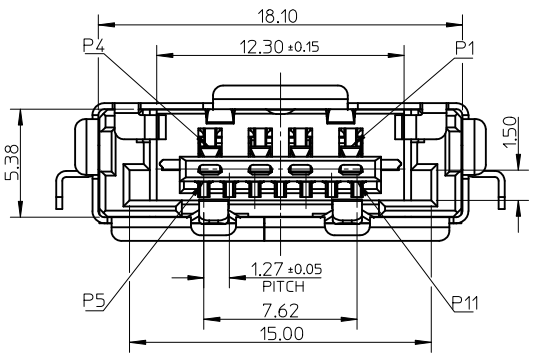
Packaging Specification	PK-47403-016
Product Specification	PS-47403-001
Sales Drawing	SD-47403-600

This document was generated on 05/19/2010

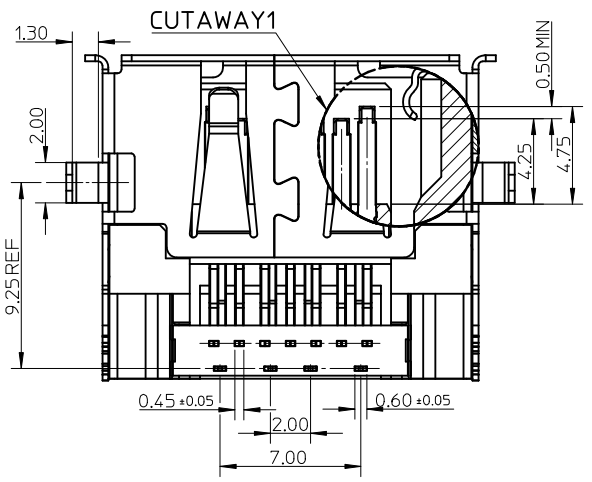
**PLEASE CHECK [WWW.MOLEX.COM](http://WWW.MOLEX.COM) FOR LATEST PART INFORMATION**



- NOTES:
1. MATERIAL: HIGH TEMPERATURE THERMOPLASTIC, 30% GLASS FILLED, BLACK, UL94V-0.  
TERMINAL-1: COPPER ALLOY.  
TERMINAL-2: COPPER ALLOY.  
METAL SHELL: COPPER ALLOY.
  2. TERMINAL PLATING:  
CONTACT AREA: GOLD PLATING.  
SOLDER AREA: TIN PLATING, 2.0 MICROMETERS MINIMUM.  
UNDER PLATING: NIKEL PLATING, 2.0 MICROMETERS MINIMUM.
  3. METAL SHELL PLATING:  
SOLDERABLE NIKEL PLATING 0.76 MICRONS MINIMUM.
  4. PRODUCT SPECIFICATION: PS-47403-001.
  5. PACKAGE SPECIFICATION: PK-47403-016.
  6. PRODUCT COMPLIANT TO RoSH DIRECTIVE 2002/95/EC AND ELV2000/53/EC.

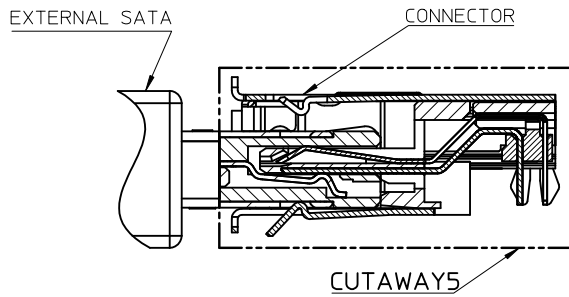


P/N	GOLD PLATING SPEC
47403-6000	GOLD FLASH
47403-6001	15u" MINIMUM
47403-6002	30u" MINIMUM

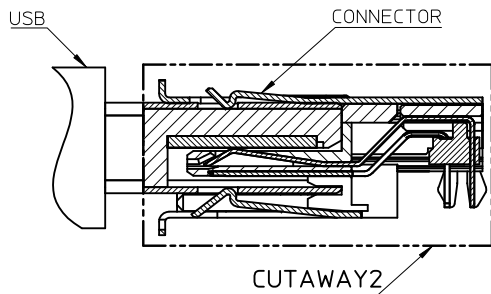


RTM EC NO: SH2010-0038 DRWN:GLL CHKD:XJSONG APPR:RZHANG 2009/11/20 2009/11/20 2009/11/20	QUALITY SYMBOLS $F_A=0$ $F_C=0$ $F_P=0$	GENERAL TOLERANCES (UNLESS SPECIFIED)		DIMENSION STYLE MM ONLY	SCALE 4:1	DESIGN UNITS METRIC	THIRD ANGLE PROJECTION		
		4 PLACES ± --- ± --- 3 PLACES ± --- ± --- 2 PLACES ± 0.25 ± --- 1 PLACE ± 0.25 ± ---	mm INCH ± --- ± --- ± 0.25 ± --- ± 0.25 ± ---	DRAWN BY DIXON LI	DATE 09/04/2007	TITLE SALES DRAWING FOR COMBO OF EXTERNAL SATA AND USB REVERSE TYPE			
		ANGULAR ± 3 °		CHECKED BY JOHNSON TIAN	DATE 09/04/2007	APPROVED BY HARVEY WANG			
		DRAFT WHERE APPLICABLE MUST REMAIN WITHIN DIMENSIONS		MATERIAL NO. SEE TABLE	DATE 09/04/2007	MOLEX INCORPORATED		DOCUMENT NO. SD-47403-600	SHEET NO. 1 OF 2

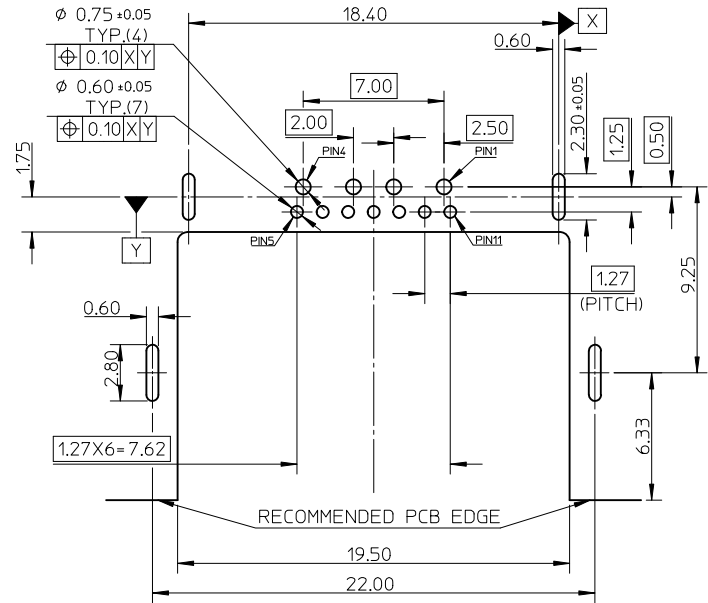
THIS DRAWING CONTAINS INFORMATION THAT IS PROPRIETARY TO MOLEX INCORPORATED AND SHOULD NOT BE USED WITHOUT WRITTEN PERMISSION



MATING WITH EXTERNAL SATA



MATING WITH USB



RECOMMENDED PCB LAYOUT T=1.2MM  
CONNECTOR SIDE,TOLERANCE:+/-0.05

PIN ASSIGNMENT

USB		I/O SATA	
NAME	TYPE	NAME	TYPE
P1	VBUS	P5	GND
P2	D-	P6	A+
P3	D+	P7	A-
P4	GND	P8	GND
		P9	B-
		P10	B+
		P11	GND

RTM EC NO: SH2010-0038 DRW:GLL 2009/11/20 CHKD:XJSONG 2009/11/20 APPR:RZHANG 2009/11/30	QUALITY SYMBOLS FA=0 FG=0 FP=0	GENERAL TOLERANCES (UNLESS SPECIFIED)		DIMENSION STYLE MM ONLY		SCALE 4:1	DESIGN UNITS METRIC	THIRD ANGLE PROJECTION	
		mm	INCH	DRAWN BY DIXON LI	DATE 09/04/2007	TITLE SALES DRAWING FOR COMBO OF EXTERNAL SATA AND USB REVERSE TYPE			
B	DESCRIPTION	4 PLACES	± ---	± ---	CHECKED BY JOHNSON TIAN	DATE 09/04/2007	MOLEX INCORPORATED		
		3 PLACES	± ---	± ---	APPROVED BY HARVEY WANG	DATE 09/04/2007	DOCUMENT NO. SD-47403-600		
		2 PLACES	± 0.25	± ---	MATERIAL NO.		SHEET NO. 2 OF 2		
		1 PLACE	± 0.25	± ---	SEE TABLE IN SHEET 1		THIS DRAWING CONTAINS INFORMATION THAT IS PROPRIETARY TO MOLEX INCORPORATED AND SHOULD NOT BE USED WITHOUT WRITTEN PERMISSION		
		ANGULAR ± 3 °							
DRAFT WHERE APPLICABLE MUST REMAIN WITHIN DIMENSIONS									