

PLEASE CHECK WWW.MOLEX.COM FOR LATEST PART INFORMATION

Part Number: [0194290043](#)
Status: **Active**
Overview: [mx150l sealed connector system](#)
Description: MX150L™ 4 Circuit Panel Mount Plug for 14 to 22 AWG Wire, Through Hole Flange Assembly, with Gasket

Documents:

[3D Model](#) [Product Specification PS-19417-001 \(PDF\)](#)
[Drawing \(PDF\)](#) [RoHS Certificate of Compliance \(PDF\)](#)

General

Product Family	Crimp Housings
Series	19429
Comments	For Outside or Inside Panel Mount Application
MolexKits	Yes
Overview	mx150l sealed connector system
Product Literature Order No	987650-2181
Product Name	MX150L™

Physical

Circuits (maximum)	4
Gender	Male
Glow-Wire Compliant	No
Lock to Mating Part	Yes
Number of Rows	2
Packaging Type	Bag
Panel Mount	Yes
Pitch - Mating Interface (in)	0.230 In
Pitch - Mating Interface (mm)	5.84 mm
Polarized to Mating Part	Yes
Stackable	No
Temperature Range - Operating	-40°C to +125°C

Electrical

Current - Maximum per Contact	18A
-------------------------------	-----

Material Info

Reference - Drawing Numbers

Packaging Specification	PK-19429-001
Product Specification	PS-19417-001
Sales Drawing	SD-19429-011

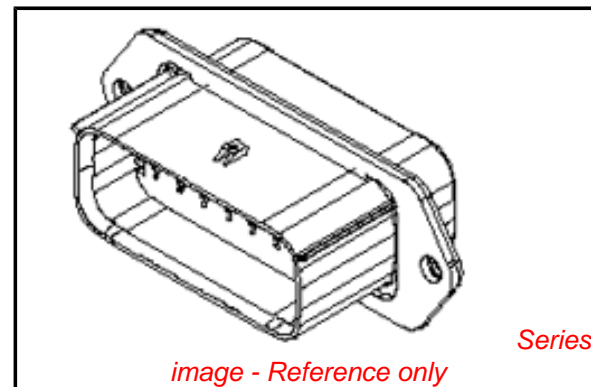


image - Reference only

EU RoHS

**ELV and RoHS
Compliant**
REACH SVHC
 Not Reviewed
**Halogen-Free
Status**

China RoHS



**Need more information on product
environmental compliance?**

Email productcompliance@molex.com
 For a multiple part number RoHS Certificate of
 Compliance, [click here](#)

Please visit the [Contact Us](#) section for any
 non-product compliance questions.

Search Parts in this Series

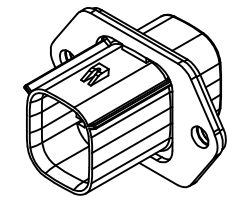
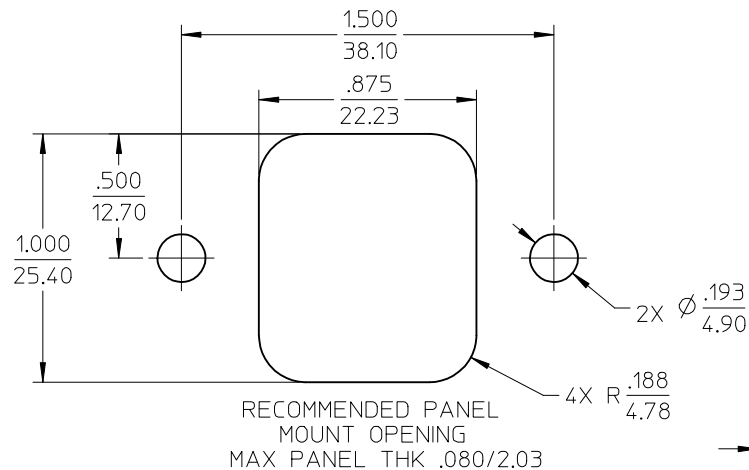
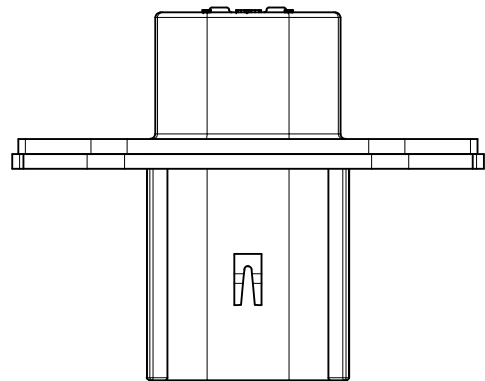
[19429Series](#)

Mates With

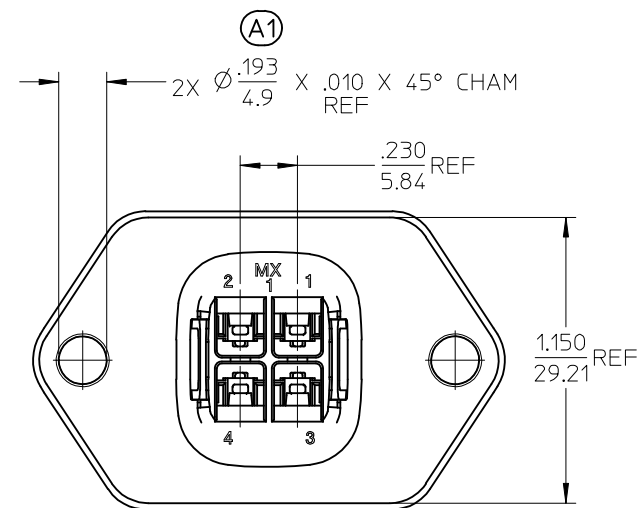
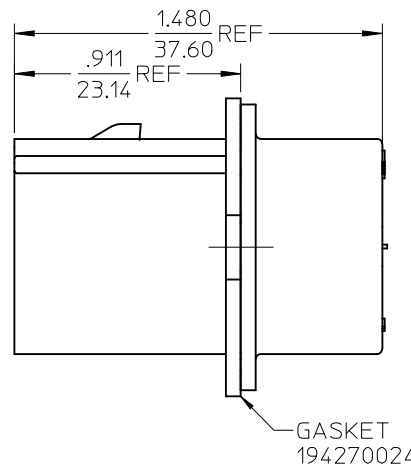
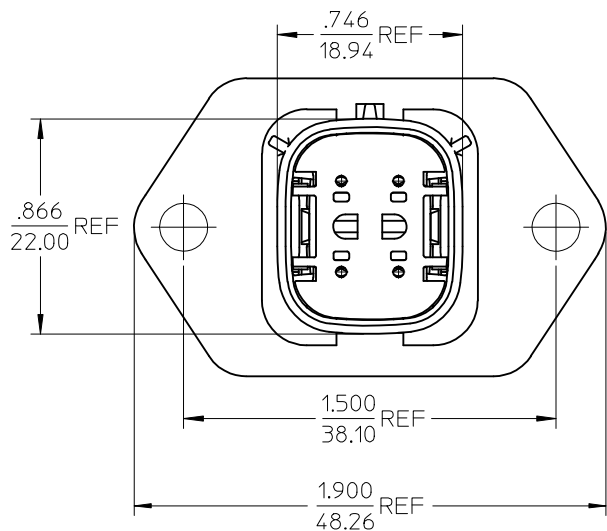
[19418 Receptacle Assemblies](#)

Use With

[19417 Male Crimp Terminals](#)



ASSEMBLED VIEW
SCALE 1:1



194290043	YES
194290025	NO
MATERIAL NUMBER	GASKET

NOTES:

1. ASSEMBLY BULK PACKAGED PER PK-19429-001.
2. USE CONNECTOR WITH MALE CRIMP TERMINAL: SERIES 19417.
3. PLUG PANEL MOUNT ASSEMBLY DESIGNED TO MATE TO 19418 SERIES RECEPTACLE ASSEMBLIES.

UPDATE THRU HOLE DIAMETERS	EC NO: WNA2009-0790	QUALITY SYMBOLS	GENERAL TOLERANCES (UNLESS SPECIFIED)	SCALE 2:1	DESIGN UNITS INCH															
	DRWN: WLEUNG 2009/05/29	▽ -0 ∇ -0	<table border="1"> <tr> <th></th> <th>mm</th> <th>INCH</th> </tr> <tr> <td>4 PLACES</td> <td>± ---</td> <td>± ---</td> </tr> <tr> <td>3 PLACES</td> <td>± ---</td> <td>± .015</td> </tr> <tr> <td>2 PLACES</td> <td>± 0.38</td> <td>± ---</td> </tr> <tr> <td>1 PLACE</td> <td>± ---</td> <td>± ---</td> </tr> </table>		mm	INCH	4 PLACES	± ---	± ---	3 PLACES	± ---	± .015	2 PLACES	± 0.38	± ---	1 PLACE	± ---	± ---	DIMENSION STYLE IN/MM	DRAWN BY DMYRICK DATE 07/19/04
			mm	INCH																
	4 PLACES	± ---	± ---																	
3 PLACES	± ---	± .015																		
2 PLACES	± 0.38	± ---																		
1 PLACE	± ---	± ---																		
CHKD: RDEROSS 2009/06/05	DESCRIPTION	ANGULAR ± 1°	DRAFT WHERE APPLICABLE	CHECKED BY JPAWLICK DATE 07/19/04																
APPR: RDEROSS 2009/06/10	A1	MUST REMAIN WITHIN DIMENSIONS		APPROVED BY RDEROSS DATE 07/19/04																

THIRD ANGLE PROJECTION	REVISE ON CAD ONLY
TITLE 4 WAY PLUG PANEL MOUNT ASSEMBLY W/O BOSS 22-14 AWG	
MOLEX INCORPORATED	
MATERIAL NO. SEE CHART	DOCUMENT NO. SD-19429-011
SHEET NO. 1 OF 1	

THIS DRAWING CONTAINS INFORMATION THAT IS PROPRIETARY TO MOLEX INCORPORATED AND SHOULD NOT BE USED WITHOUT WRITTEN PERMISSION