

PLEASE CHECK WWW.MOLEX.COM FOR LATEST PART INFORMATION

Part Number: [0901700016](#)
Status: **Active**
Description: 2.54mm (.100") Pitch QF-50™, Strain Relief, DIN 41651, Standard Low Profile, 16 Circuits

Documents:

[3D Model](#) [Product Specification PS-99020-0015 \(PDF\)](#)
[Drawing \(PDF\)](#) [RoHS Certificate of Compliance \(PDF\)](#)

General

Product Family	Ribbon Cable / Wire Trap Connectors
Series	90170
Component Type	Strain Relief
Glow-Wire Compliant	No
Product Name	QF-50™

Physical

Circuits (Loaded)	N/A
Circuits (maximum)	16
Color - Resin	Black
Entry Angle	N/A
Lock to Mating Part	Yes
Material - Resin	Polyester
Number of Rows	2
PCB Locator	No
PCB Retention	None
Packaging Type	Bag
Pitch - Mating Interface (in)	0.050 In
Pitch - Mating Interface (mm)	1.27 mm
Polarized to Mating Part	No
Stackable	No
Temperature Range - Operating	-25°C to +85°C
Wire Insulation Diameter	N/A
Wire Size AWG	N/A
Wire/Cable Type	Ribbon Cable

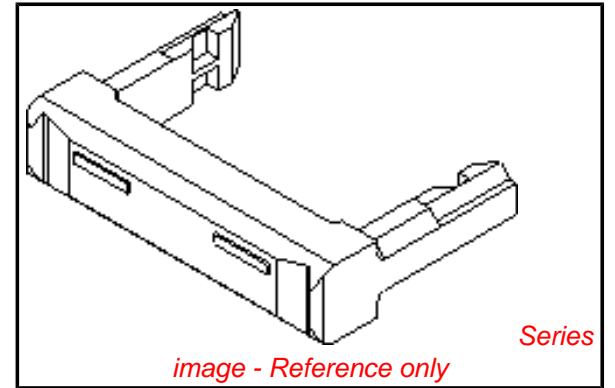
Electrical

Current - Maximum per Contact	1A
Voltage - Maximum	250V AC/DC

Material Info

Reference - Drawing Numbers

Product Specification	PS-99020-0015
Sales Drawing	SD-90170



EU RoHS

ELV and RoHS Compliant
REACH SVHC Contains SVHC: No
Halogen-Free Status

China RoHS



Need more information on product environmental compliance?

Email productcompliance@molex.com
 For a multiple part number RoHS Certificate of Compliance, [click here](#)

Please visit the [Contact Us](#) section for any non-product compliance questions.

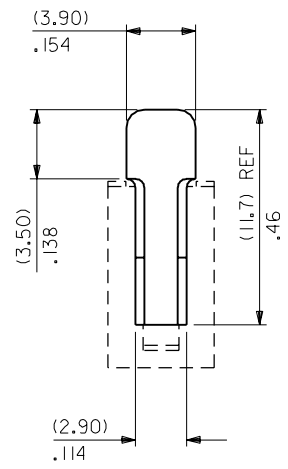
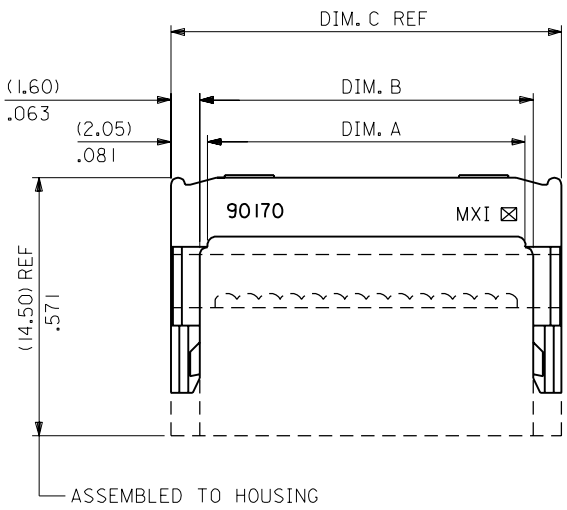
Search Parts in this Series

[90170Series](#)

Use With

[5320](#) , [90635](#)

PART NO. SEE CHART
 DWG. REF. SD-90170



90170-0064	YES	64	(81.81)/3.221	(82.70)/3.256	(85.90)/3.382
↑ -0060	↑	60	(76.73)/3.021	(77.63)/3.056	(80.83)/3.182
-0050		50	(64.03)/2.521	(64.93)/2.556	(63.13)/2.682
-0040		40	(51.33)/2.021	(52.23)/2.056	(55.43)/2.182
-0034		34	(43.71)/1.721	(44.61)/1.756	(47.81)/1.882
-0030		30	(38.63)/1.521	(39.53)/1.556	(42.73)/1.682
-0026		26	(33.55)/1.321	(34.45)/1.356	(37.65)/1.482
-0020		20	(25.93)/1.021	(26.83)/1.056	(30.03)/1.182
-0016		16	(20.85)/.821	(21.75)/.856	(24.95)/.982
↓ -0014	↓	14	(18.31)/.721	(19.21)/.756	(22.41)/.882
90170-0010	YES	10	(13.23)/.521	(14.13)/.556	(17.33)/.682
PART NUMBER	TOOLED	CCTS.	DIM. A (±0.20) ±.008	DIM. B (±0.20) ±.008	DIM. C REF

NOTES

- MATERIAL: G.F. POLYESTER, 94V-0, COLOUR BLACK .
- THIS PART MATES WITH HOUSING ASSEMBLIES, SERIES 5320 5321, 52037, 90573 AND 90574 .

FOR PREVIOUS DRAWING ISSUES SEE MRI.

REDRAWN ON CAD
 ECN E30020
 26 AUGUST 1992 SM
 LTR REVISIONS

DIMENSIONS SHOWN (METRIC) INCH	
UNLESS OTHERWISE SPECIFIED TOLERANCES: ANGULAR ± 1/2°	
INCH	(METRIC)
3 PLACE ± .008	(MM)
2 PLACE ± .	± 0.20
1 PLACE ±	±
DRAFT WHERE APPLICABLE MUST REMAIN WITHIN DIMENSIONS	
DESIGN DIMENSION (PRIMARY)	<input checked="" type="checkbox"/> (MM) <input type="checkbox"/> IN.
EQUIVALENT DIMENSION (SECONDARY)	<input type="checkbox"/> (MM) <input checked="" type="checkbox"/> IN.

DRWG BY KC
 CHK'D BY
 APP'D BY
 SCALE 4:1

REVISE ONLY ON CAD SYSTEM		SHL	REV.
CAD/CAM FILENAME SD90170X1 DGN		THIS DRAWING CONTAINS INFORMATION THAT IS PROPRIETARY TO MOLEX INC. & SHOULD NOT BE USED WITHOUT WRITTEN PERMISSION	
TITLE QIK-FLECS, DIN STANDARD LOW PROFILE STRAIN RELIEF			
MOLEX MOLEX EUROPE		SHEET NO. 1 OF 1	DATE 87/07/17
PART NO. SEE CHART	DWG NO. SD-90170	SIZE B	