

PLEASE CHECK WWW.MOLEX.COM FOR LATEST PART INFORMATION

Part Number: [0673519054](#)

Status: **Active**

Description: MicroCross™ DVI-I Digital/Analog Visual Interface, Panel Mount, Through Hole, Right Angle, PCB Extended Height Receptacle, Gold (Au) Flash, Polyester (PBT), Screw Hole, 4-40 Thread, with Hex Thumb Screw, 2.34mm (.092") PC Tail Length, 29 Circuits, Lead Free

Documents:

[3D Model](#)

[Drawing \(PDF\)](#)

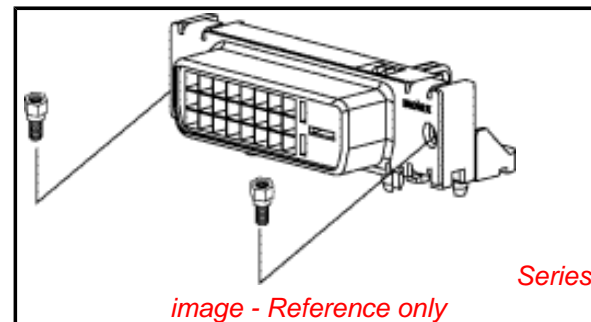
[RoHS Certificate of Compliance \(PDF\)](#)

General

Product Family	I/O Connectors
Series	67351
Application	Wire-to-Board
Comments	DDWG (Digital Display Working Group) Standard
Component Type	Receptacle
Product Name	MicroCross™DVI
Type	N/A

Physical

Boot Color	N/A
Circuits (Loaded)	29
Circuits (maximum)	29
Color - Resin	Ivory, Natural
Durability (mating cycles max)	100
Gender	Receptacle
Keying to Mating Part	Yes
Lock to Mating Part	Yes
Material - Metal	Copper Alloy
Material - Plating Mating	Gold
Material - Plating Termination	Tin
Material - Resin	Polyester
Number of Rows	3
Orientation	Right Angle
PC Tail Length (in)	0.092 In
PC Tail Length (mm)	2.34 mm
PCB Locator	Yes
PCB Retention	Yes
Packaging Type	Tray
Panel Mount	Yes
Pitch - Mating Interface (in)	0.050 In, 0.075 In, 0.124 In
Pitch - Mating Interface (mm)	1.27 mm, 1.90 mm, 3.17 mm
Pitch - Term. Interface (in)	0.050 In, 0.075 In, 0.124 In
Pitch - Term. Interface (mm)	1.27 mm, 1.90 mm, 3.17 mm
Plating min: Mating (µin)	2
Plating min: Mating (µm)	0.05
Plating min: Termination (µin)	100
Plating min: Termination (µm)	2.50
Polarized to Mating Part	Yes
Polarized to PCB	Yes
Ports	1
Surface Mount Compatible (SMC)	No
Temperature Range - Operating	-20°C to +85°C
Termination Interface: Style	Through Hole
Waterproof / Dustproof	No



EU RoHS

ELV and RoHS Compliant

REACH SVHC

Not Reviewed

Halogen-Free

Status

Not Reviewed

Need more information on product environmental compliance?

Email productcompliance@molex.com
For a multiple part number RoHS Certificate of Compliance, [click here](#)

Please visit the [Contact Us](#) section for any non-product compliance questions.

China RoHS



Search Parts in this Series

[67351Series](#)

Mates With

[74323](#) MicroCross™ DVI Plug Components.
[88741](#) MicroCross™ DVI Cable Assemblies

Use With

[71781](#) Panel Mount Hex Screw Kit

Wire Size AWG	N/A
Electrical	
Current - Maximum per Contact	3A
Grounding to Panel	Yes
Shield Type	Full Shield
Shielded	Yes
Voltage - Maximum	40V AC (RMS)

Material Info

Reference - Drawing Numbers

Packaging Specification	PK-74320-010
Sales Drawing	SD-67351-033

This document was generated on 06/07/2010

PLEASE CHECK WWW.MOLEX.COM FOR LATEST PART INFORMATION

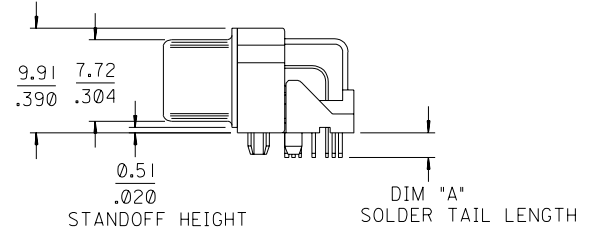
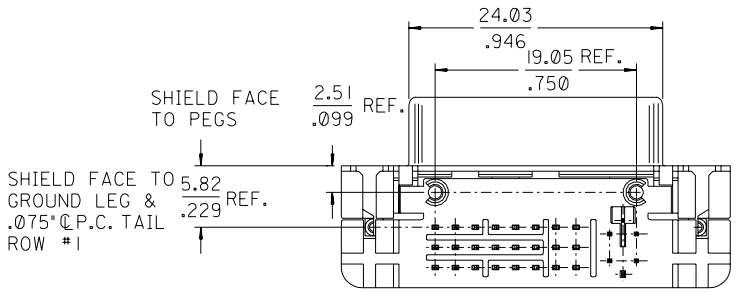
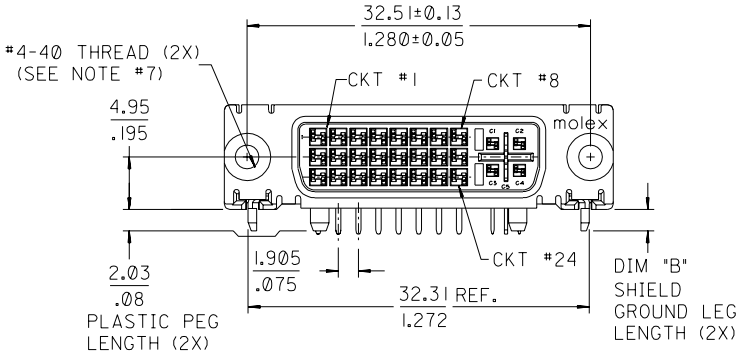
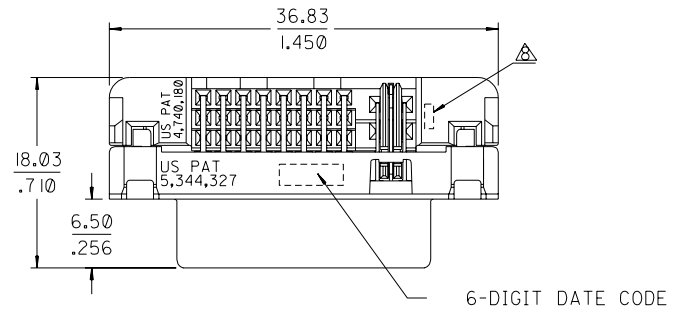
ENG. NO SEE CHART

EDP NO.

SIMILAR ITEM

CADFILE NO. S6735133.S01

DO NOT SCALE DRAWING



NOTES:

- MATERIALS:
 SHIELD -- DEEP DRAW STEEL.
 HOUSING -- GLASS FILLED POLYMER, NATURAL (IVORY WHITE), UL 94v-0.
 TAIL ALIGNER -- GLASS FILLED POLYMER, NATURAL (IVORY WHITE), UL 94v-0.
 CONTACTS -- COPPER ALLOY.
 MICROCROSS GROUND -- COPPER ALLOY.
 - PLATING: SEE SHEET 2
 - PRODUCT CONFORMS TO MOLEX PRODUCT SPECIFICATION NUMBER PS-74320-001. REFER TO THIS SPECIFICATION FOR SPACING ON A P.C.B. OF TWO OR MORE CONNECTORS WHEN USING A CABLE OR AN ADAPTER ASSEMBLY.
 - SEE SHEET 2 FOR RECOMMENDED PANEL CUT-OUT AND P.C.B. LAYOUT.
 - PARTS WILL BE PACKAGED IN TRAYS PER PK-74320-009.
 - PRODUCT CONFORMS TO DDWG DVI SPECIFICATION. REFER TO THIS SPECIFICATION FOR CONNECTOR MATING DIMENSIONS.
 - RECOMMENDED MOUNTING HARDWARE IS MOLEX P/N 88780-6066 OR 82007-0300 OR 71781-0001. REFER TO PRODUCT SPECIFICATION NUMBER PS-74320-001 FOR THE APPLICATION TORQUE REQUIREMENT FOR ASSEMBLING MOUNTING HARDWARE.
- △ CAVITY NO. AND MANUFACTURING PLANT CODE.

PART NUMBER	CONNECTOR				HEX THUMB SCREW
	PART NUMBER	PLATING OPTION	DIM "A"	DIM "B"	
67351-9050	67351-1000	1	2.34/.092	2.03±0.51	88780-6066
67351-9051	67351-1001	1	1.27/.050	.080±.020	
67351-9052	67351-1002	1	2.79/.110	2.79/.110	
67351-9053	67351-1003	1	3.12/.123		
67351-9054	67351-1004	2	2.34/.092	2.03±0.51	
67351-9055	67351-1005	2	1.27/.050	.080±.020	
67351-9056	67351-1006	2	2.79/.110	2.79/.110	
67351-9057	67351-1007	2	3.12/.123		

MODIFICATION EC NO. SH2004-0129 DRWN: TXUE 2004/03/05 CHK: GRMA 2004/03/05 APPR: SAM 2004/03/05	QUALITY SYMBOLS MAJOR $\nabla = 0$ CRITICAL $\triangle = 0$	GENERAL TOLERANCES: (UNLESS SPECIFIED)		SCALE 2:1	DESIGN UNITS <input checked="" type="checkbox"/> mm <input checked="" type="checkbox"/> INCH	THIRD ANGLE PROJECTION 	DIMENSIONS: <input checked="" type="checkbox"/> mm <input type="checkbox"/> INCH <input type="checkbox"/> mm ONLY	SHT REV
		DRAWN BY & DATE Allen lin '01/11/05	TITLE: DVI-I R/A REC. CONNECTOR ADD HEX THUMBSCREW			REVISION ON CAD ONLY		
		CHECKED BY & DATE VLIN '01/11/05	MOLEX INCORPORATED			SHEET NO. 1 OF 2		
		APPROVED BY & DATE ELAN '01/11/05	CAD FILENAME SD67351033.S01	MATERIAL NO. SEE CHART	DRAWING NO. SD-67351-033	SIZE A3		
REV H	DRAFT WHERE APPLICABLE MUST REMAIN WITHIN DIMENSIONS		THIS DRAWING CONTAINS INFORMATION THAT IS PROPRIETARY TO MOLEX INCORPORATED AND SHOULD NOT BE USED WITHOUT WRITTEN PERMISSION.					

