

PLEASE CHECK WWW.MOLEX.COM FOR LATEST PART INFORMATION

Part Number: [0194310001](#)
Status: **Active**
Overview: [mx150l sealed connector system](#)
Description: MX150L™ Male Terminal for 10-12 AWG Wire, Metal Strip Carrier

Documents:

[Drawing \(PDF\)](#) [RoHS Certificate of Compliance \(PDF\)](#)
[Product Specification PS-19432-001 \(PDF\)](#)

Agency Certification

CSA LR18689
 UL E152602

General

Product Family Crimp Terminals
 Series [19431](#)
 Comments UL E152602
 Crimp Quality Equipment Yes
 Overview [mx150l sealed connector system](#)
 Product Literature Order No 987650-2181
 Product Name MX150L™

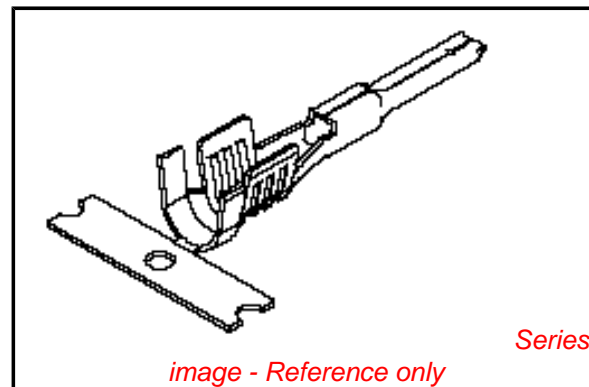
Physical

Durability (mating cycles max) 25
 Gender Male
 Material - Metal Copper
 Material - Plating Mating Tin
 Material - Plating Termination Tin
 Packaging Type Reel
 Termination Interface: Style Crimp or Compression
 Wire Insulation Diameter 3.94mm-4.45mm (.155-.175")
 Wire Size AWG 10, 12
 Wire Size mm² N/A

Material Info

Reference - Drawing Numbers

Product Specification PS-19432-001
 Sales Drawing SD-19431-002



EU RoHS

**ELV and RoHS
 Compliant**
REACH SVHC
 Not Reviewed
**Halogen-Free
 Status**
Not Reviewed

China RoHS



**Need more information on product
 environmental compliance?**

Email productcompliance@molex.com
 For a multiple part number RoHS Certificate of
 Compliance, [click here](#)

Please visit the [Contact Us](#) section for any
 non-product compliance questions.

Search Parts in this Series

[19431Series](#)

Mates With

[19434 Female Terminal](#)

Use With

[19433 Male Plug](#)

Application Tooling | FAQ

*Tooling specifications and manuals are
 found by selecting the products below.
 Crimp Height Specifications are then
 contained in the Application Tooling
 Specification document.*

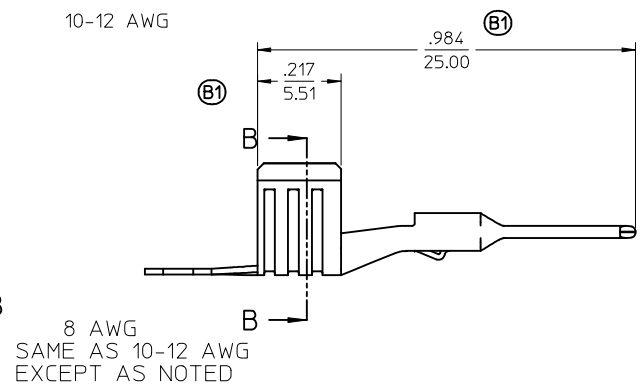
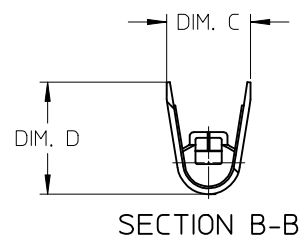
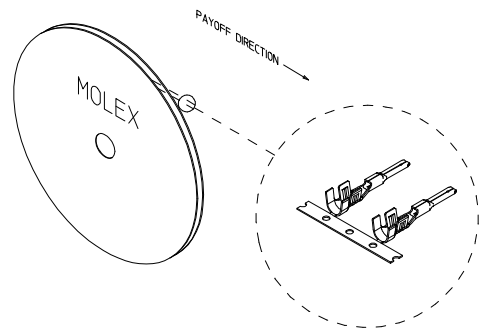
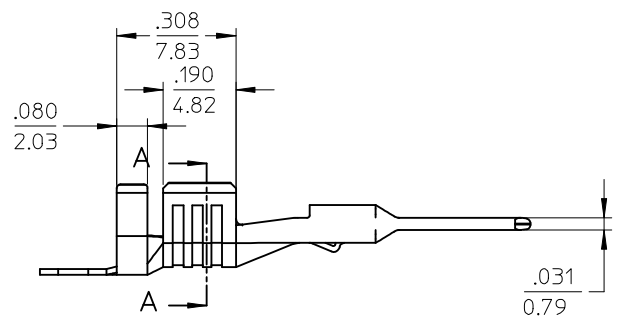
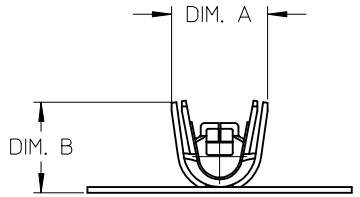
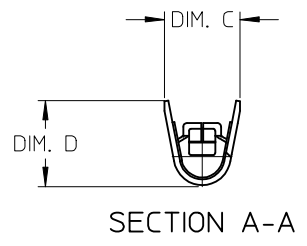
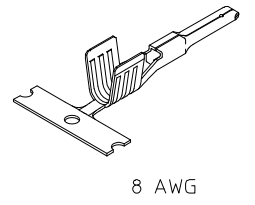
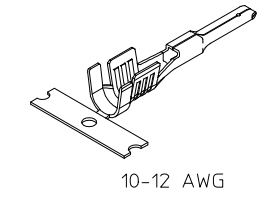
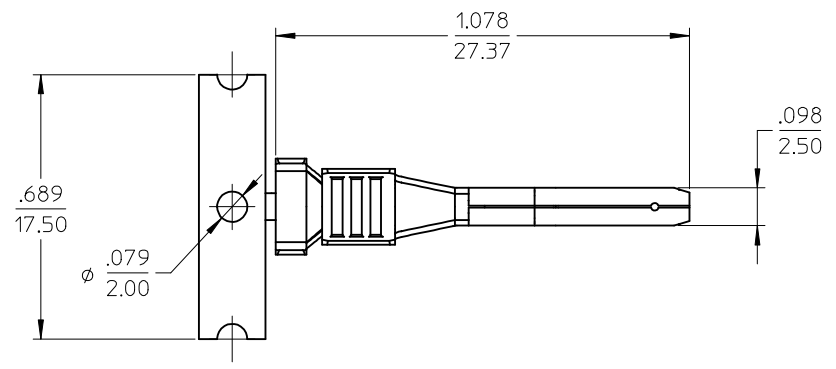
Global

Description	Product #
Hand Crimp Tool	0638115300
Mini-Mac™	0638950400
Applicator for MX150L™ Crimp Terminals	

This document was generated on 06/01/2010

PLEASE CHECK WWW.MOLEX.COM FOR LATEST PART INFORMATION

STRIP MATERIAL NUMBER	LOOSE PIECE MATERIAL NUMBER	AWG SIZE	DIM. "A"	DIM. "B"	DIM. "C"	DIM. "D"
194310001	194310016	10-12	.250/6.35	.236/6.00	.197/5.00	.226/5.74
194310015	194310017	8	N/A	N/A	.240/6.10	.276/7.00



- NOTES:
1. MATERIAL: COPPER ALLOY.
 2. FINISH: PREPLATED AND REFLOWED OVERALL, 100μ TIN OVER 50μ NICKEL, MINIMUM.
 3. TERMINAL FOR USE WITH 19433-**** PLUG HOUSING ASSEMBLY.
 4. PRODUCT SPECIFICATION: PS-19431-001.
 5. PACKAGING SPECIFICATION: PK-19431-001.
 6. APPLICATION TOOLING AND CRIMP SPECIFICATIONS: CONSULT FACTORY.

UPDATED DIM EC NO: WNA2009-0796 DRWN: WLEUNG 2009/06/03 CHKD: RDEROSS 2009/06/04 APPR: RDEROSS 2009/07/10	QUALITY SYMBOLS	GENERAL TOLERANCES (UNLESS SPECIFIED) mm INCH 4 PLACES ± --- ± --- 3 PLACES ± --- ± .010 2 PLACES ± 0.25 ± .02 1 PLACE ± 0.5 ± --- ANGULAR ± 3°	SCALE 4:1	DESIGN UNITS INCH	THIRD ANGLE PROJECTION	REVISE ON CAD ONLY
	▽ = 0 ∇ = 0		DIMENSION STYLE IN/MM		TITLE	
	DRAFT WHERE APPLICABLE	MUST REMAIN WITHIN DIMENSIONS	DRAWN BY BRUPERT CHECKED BY JPAWLICK APPROVED BY RDEROSS	DATE 01/25/05 DATE 01/25/05 DATE 01/25/05	MALE PIN TERMINAL MX150L 12-10 & 8 AWG, .098/2.50 X .031/0.79	
	REV B1		APPROVED BY RDEROSS DATE 01/25/05	MATERIAL NO. SEE CHART DOCUMENT NO. SD-19431-002 SHEET NO. 1 OF 1	MOLEX INCORPORATED	