



B_LT-2W Series

FIXED INPUT ISOLATED & UNREGULATED 2W SINGLE OUTPUT ULTRAMINIATURE SMD PACKAGE

multi -country patent protection **RoHS**

FEATURES

- High Efficiency up to 85%
- SMD Package Style
- Single Output Voltage
- High Power Density
- Industry Standard Pin out
- No Heatsink Required
- 1KVDC Isolation
- Temperature Range: -40°C~+85°C
- No External Component Required
- Custom Service Available
- RoHS Compliance

APPLICATIONS

The B_LT-2W Series are specially designed for applications where a single power supply is isolated from the input power supply in a distributed power supply system on a circuit board.

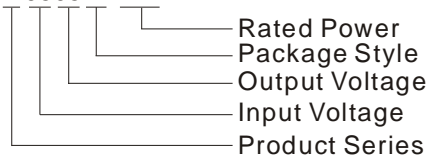
These products apply to:

- 1) Where the voltage of the input power supply is fixed (voltage variation $\leq \pm 10\%$);
- 2) Where isolation is necessary between input and output (isolation voltage = 1000VDC);
- 3) Where the regulation of the output voltage and the output ripple noise are not demanding.

Such as: purely digital circuits, ordinary low frequency analog circuits, and IGBT power device driving circuits.

MODEL SELECTION

B0505LT- 2W



| PRODUCT PROGRAM | | | | | | | |
|-----------------|---------------|-----------|---------------|--------------|-----|--------------------|---------------|
| Part Number | Input | | Output | | | Efficiency (% Typ) | Package Style |
| | Voltage (VDC) | | Voltage (VDC) | Current (mA) | | | |
| | Nominal | Range | | Max | Min | | |
| B0505LT-2W | 5 | 4.5~5.5 | 5 | 400 | 40 | 81 | SMD |
| B0509LT-2W | | | 9 | 222 | 23 | 82 | SMD |
| B0512LT-2W | | | 12 | 167 | 17 | 84 | SMD |
| B0515LT-2W | | | 15 | 133 | 14 | 84 | SMD |
| B1205LT-2W | 12 | 10.8~13.2 | 5 | 400 | 40 | 82 | SMD |
| B1209LT-2W | | | 9 | 222 | 23 | 83 | SMD |
| B1212LT-2W | | | 12 | 167 | 17 | 85 | SMD |
| B1215LT-2W | | | 15 | 133 | 14 | 85 | SMD |
| | | | | | | | |
| | | | | | | | |
| | | | | | | | |

| COMMON SPECIFICATIONS | |
|-------------------------------|---------------------|
| Short circuit protection | 1 second |
| Temperature rise at full load | 25°C MAX, 15°C TYP |
| Cooling | Free air convection |
| Operating temperature range | -40°C~+85°C |
| Storage temperature range | -55°C ~+125°C |
| Lead temperature | 260°C |
| Storage humidity range | $\leq 95\%$ |
| Case material | Plastic (UL94-V0) |
| MTBF | >3,500,000 hours |

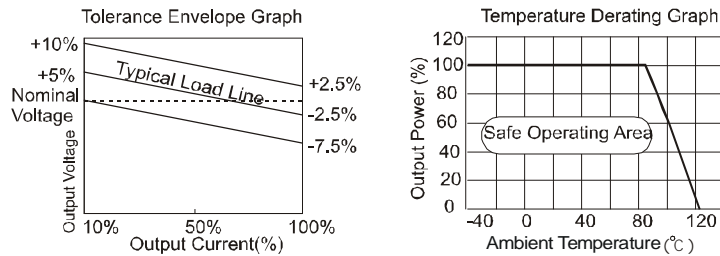
| ISOLATION SPECIFICATIONS | | | | | |
|--------------------------|---------------------------------|------|-----|-----|-------|
| Item | Test conditions | Min | Typ | Max | Units |
| Isolation voltage | Tested for 1 minute and 1mA max | 1000 | | | VDC |
| Isolation resistance | Test at 500VDC | 1000 | | | MΩ |

| OUTPUT SPECIFICATIONS | | | | | | |
|-------------------------|-----------------------------------|-----|------|------|-------|--|
| Item | Test conditions | MIN | TYP | MAX | Units | |
| Output power | | 0.2 | | 2 | W | |
| Line regulation | For Vin change of 1% | | | 1.2 | % | |
| Load regulation | 10% to 100% load (3.3V,5V output) | | 12.8 | 15 | % | |
| | 10% to 100% load (9V output) | | 8.3 | 15 | | |
| | 10% to 100% load (12V output) | | 6.8 | 15 | | |
| | 10% to 100% load (15V output) | | 6.3 | 15 | | |
| Output voltage accuracy | See tolerance envelope graph | | | | | |
| Temperature drift | 100% full load | | | 0.03 | %/°C | |
| Output ripple | 20MHz Bandwidth | | 75 | 150 | mVp-p | |
| Noise | 20MHz Bandwidth | | 150 | 250 | | |
| Switching frequency | Full load, nominal input | | 70 | | KHz | |

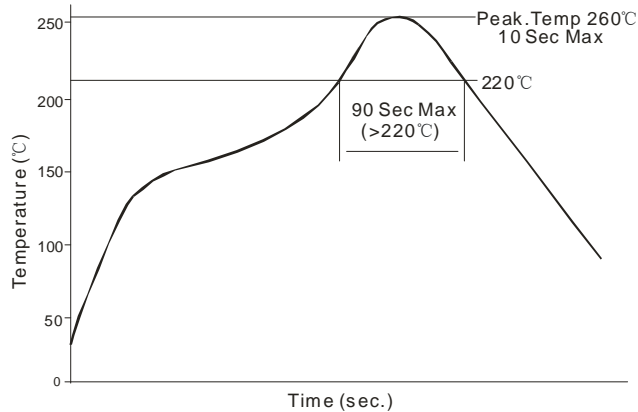
Note:

1. All specifications measured at TA=25°C, humidity<75%, nominal input voltage and rated output load unless otherwise specified.
2. See below recommended circuits for more details.

TYPICAL CHARACTERISTICS



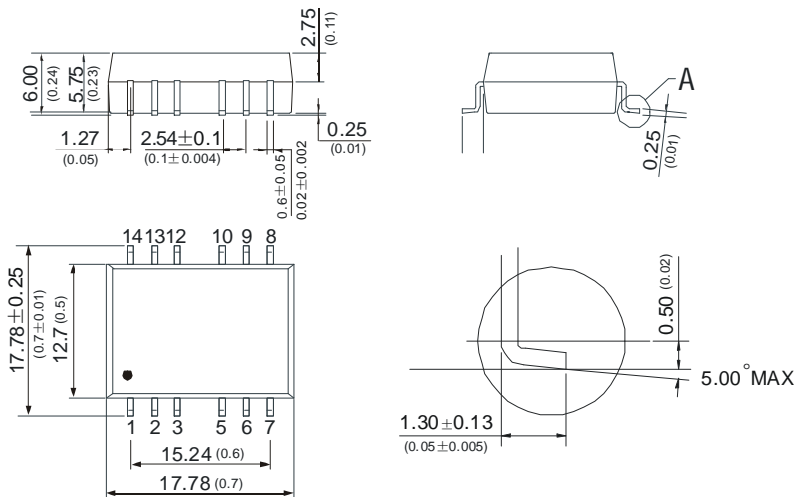
RECOMMENDED REFLOW SOLDERING PROFILE



PIN CONNECTIONS

| | | | | | | | | | | | | |
|----------|-----|-----|----|----|----|-----|----|----|----|----|----|----|
| Pin | 1 | 2 | 3 | 5 | 6 | 7 | 8 | 9 | 10 | 12 | 13 | 14 |
| Function | GND | Vin | NC | NC | 0V | +Vo | NC | NC | NC | NC | NC | NC |

OUTLINE DIMENSIONS & RECOMMENDED FOOTPRINT DETAILS



Note: All Pins on a 2.54mm(0.1) pitch; All Pin Widths are 0.60 mm(0.02); Tolerances:±0.15mm(0.006); Unit: mm(inch).

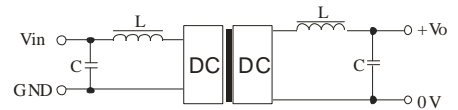
APPLICATION NOTE

Requirement on output load

To ensure this module can operate efficiently and reliably, a minimum load is specified for this kind of DC/DC converter in addition to a maximum load (namely full load). During operation, make sure the specified range of input voltage is not exceeded, the minimum output load is **not less than 10%** of the full load, and that this product should never be operated under no load! If the actual output power is very small, please connect a resistor with proper resistance at the output end in parallel to increase the load, or use our company's products with a lower rated output power (B_T-1W series).

Filtering

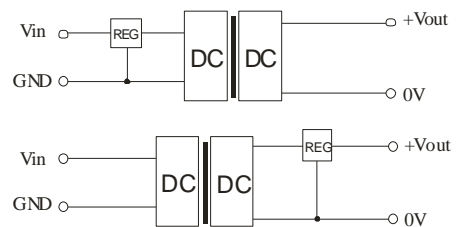
In some circuits which are sensitive to noise and ripple, a filtering capacitor may be added to the DC/DC output end and input end to reduce the noise and ripple. However, the capacitance of the output filter capacitor must be proper. If the capacitance is too big, a startup problem might arise. For every channel of output, provided the safe and reliable operation is ensured, the greatest capacitance of its filter capacitor sees the external capacitor table. To get an extremely low ripple, an "LC" filtering network may be connected to the input and output ends of the DC/DC converter, which may produce a more significant filtering effect. It should also be noted that the inductance and the frequency of the "LC" filtering network should be staggered with the DC/DC frequency to avoid mutual interference (Figure 1).



(Figure 1)

Output Voltage Regulation and Over-voltage Protection Circuit

The simplest device for output voltage regulation, over-voltage and over-current protection is a linear voltage regulator with overheat protection that is connected to the input or output end in series (Figure2).



(Figure2)

Overload Protection

Under normal operating conditions, the output circuit of these products has no protection against over-current and short-circuits. The simplest method is to connect a self-recovery fuse in series at the input end or add a circuit breaker to the circuit.

EXTERNAL CAPACITOR TABLE

| Vin | External capacitor | Vout | External capacitor |
|-------|--------------------|-------|--------------------|
| 5VDC | 4.7uF | 5VDC | 4.7uF |
| 12VDC | 2.2uF | 9VDC | 2.2uF |
| -- | -- | 12VDC | 1uF |
| -- | -- | 15VDC | 0.47uF |

It's not recommend to connect any external capacitor in the application field with less than 0.5 watt output.