

PLEASE CHECK WWW.MOLEX.COM FOR LATEST PART INFORMATION

Part Number: [0705519036](#)

Status: **Active**

Overview: [cgrid_sl_products](#)

Description: 2.54mm (.100") Pitch SL™ Header, Single Row, Right Angle, .120" Pocket, Shrouded, with Latch and Split Pegs, 2 Circuits, 0.38µm (15µ") Gold (Au) Selective Plating, Tin (Sn) PC Tail Plating

Documents:

[3D Model](#)

[Drawing \(PDF\)](#)

[Product Specification PS-70400 \(PDF\)](#)

[Product Specification PS-70541 \(PDF\)](#)

[RoHS Certificate of Compliance \(PDF\)](#)

Agency Certification

CSA LR19980
UL E29179

General

Product Family PCB Headers
Series [70551](#)
Application Wire-to-Board
Overview [cgrid_sl_products](#)
Product Name SL™

Physical

Breakaway No
Circuits (Loaded) 2
Circuits (maximum) 2
Color - Resin Black
Durability (mating cycles max) 50
First Mate / Last Break No
Flammability 94V-0
Glow-Wire Compliant No
Guide to Mating Part No
Keying to Mating Part None
Lock to Mating Part Yes
Material - Metal Brass, Phosphor Bronze
Material - Plating Mating Gold
Material - Plating Termination Tin
Material - Resin High Temperature Thermoplastic
Number of Rows 1
Orientation Right Angle
PC Tail Length (in) 0.130 In
PC Tail Length (mm) 3.30 mm
PCB Locator Yes
PCB Retention Yes
PCB Thickness Recommended (in) 0.062 In
PCB Thickness Recommended (mm) 1.60 mm
Packaging Type Tube
Pitch - Mating Interface (in) 0.100 In
Pitch - Mating Interface (mm) 2.54 mm
Plating min: Mating (µin) 15
Plating min: Mating (µm) 0.375
Plating min: Termination (µin) 75
Plating min: Termination (µm) 1.875
Polarized to Mating Part Yes
Shrouded Fully

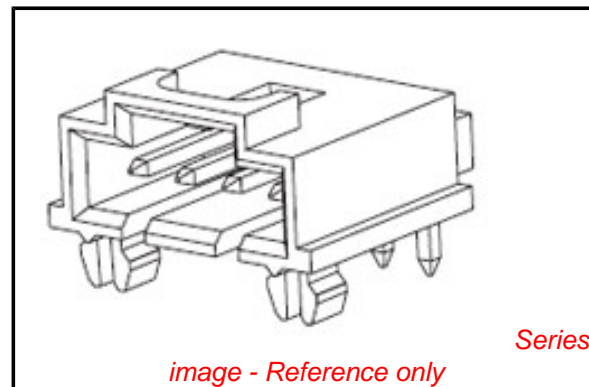


image - Reference only

Series

EU RoHS

**ELV and RoHS
Compliant**
**REACH SVHC
Not Reviewed**
**Halogen-Free
Status
Not Reviewed**

China RoHS



**Need more information on product
environmental compliance?**

Email productcompliance@molex.com
For a multiple part number RoHS Certificate of Compliance, [click here](#)

Please visit the [Contact Us](#) section for any non-product compliance questions.

Search Parts in this Series

[70551Series](#)

Mates With

SL™ Crimp Housing [70066](#) , [70430](#) , [70400](#)

Stackable	No
Temperature Range - Operating	-40°C to +105°C
Termination Interface: Style	Through Hole

Electrical

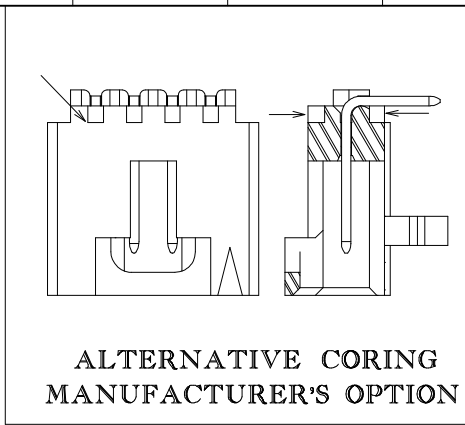
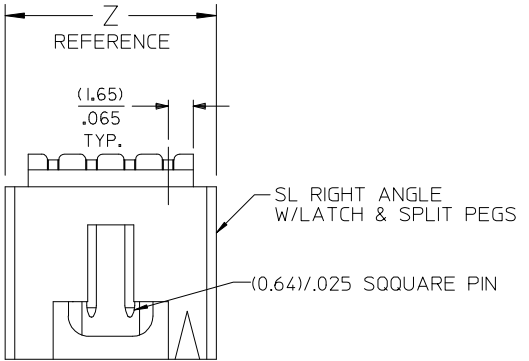
Current - Maximum per Contact	3A
Voltage - Maximum	250V

Material Info**Reference - Drawing Numbers**

Packaging Specification	PK-70873-0015
Product Specification	PS-70400, PS-70541
Sales Drawing	SD-70551-001, SDA-70551-****

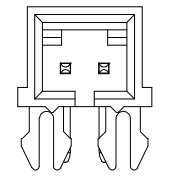
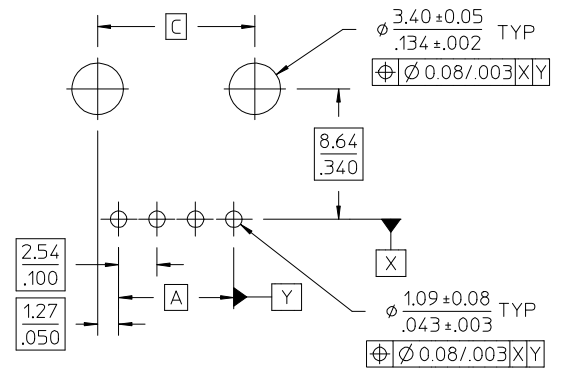
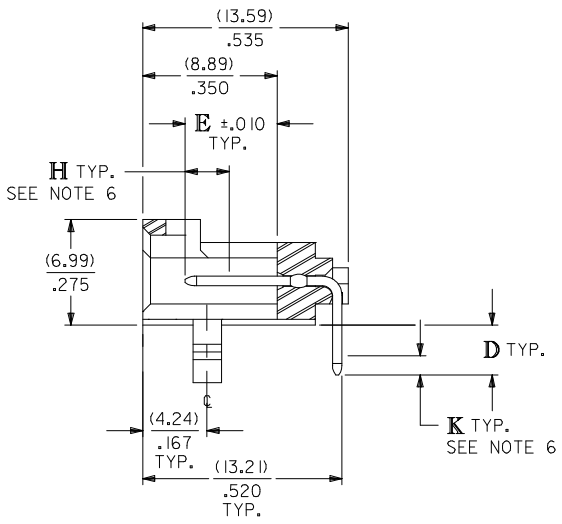
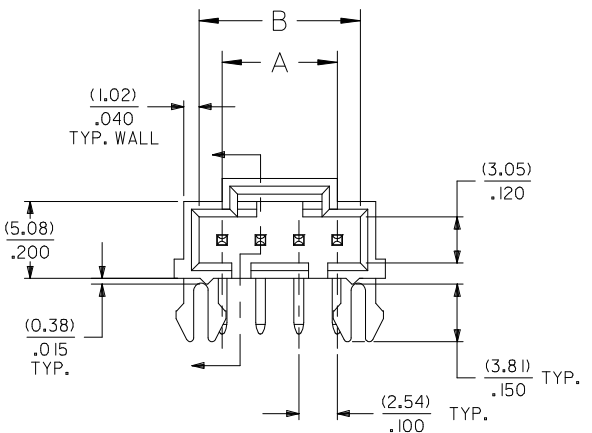
This document was generated on 05/27/2010

PLEASE CHECK WWW.MOLEX.COM FOR LATEST PART INFORMATION

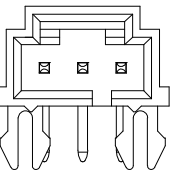


**ALTERNATIVE CORING
MANUFACTURER'S OPTION**

CKT. SIZE	DIM. "A"		DIM. "B"		DIM. "C"		DIM. "Z"	
	MM	IN.	MM	IN.	MM	IN.	MM	IN.
2	2.54	.100	5.33	.210	5.08	.200	8.64	.340
3	5.08	.200	8.13	.320	7.62	.300	11.43	.450
4	7.62	.300	10.67	.420	10.16	.400	13.97	.550
5	10.16	.400	13.21	.520	12.70	.500	16.51	.650
6	12.70	.500	15.75	.620	15.24	.600	19.05	.750
7	15.24	.600	18.29	.720	17.78	.700	21.59	.850
8	17.78	.700	20.83	.820	20.32	.800	24.13	.950
9	20.32	.800	23.37	.920	22.86	.900	26.67	1.050
10	22.86	.900	25.91	1.020	25.40	1.000	29.21	1.150
11	25.40	1.000	28.45	1.120	27.94	1.100	31.75	1.250
12	27.94	1.100	30.99	1.220	30.48	1.200	34.29	1.350
13	30.48	1.200	33.53	1.320	33.02	1.300	36.83	1.450
14	33.02	1.300	36.07	1.420	35.56	1.400	39.37	1.550
15	35.56	1.400	38.61	1.520	38.10	1.500	41.91	1.650
16	38.10	1.500	41.15	1.620	40.64	1.600	44.45	1.750
17	40.64	1.600	43.69	1.720	43.18	1.700	46.99	1.850
18	43.18	1.700	46.23	1.820	45.72	1.800	49.53	1.950
19	45.72	1.800	48.77	1.920	48.26	1.900	52.07	2.050
20	48.26	1.900	51.31	2.020	50.80	2.000	54.61	2.150
21	50.80	2.000	53.85	2.120	53.34	2.100	57.15	2.250
22	53.34	2.100	56.39	2.220	55.88	2.200	59.69	2.350
23	55.88	2.200	58.93	2.320	58.42	2.300	62.23	2.450
24	58.42	2.300	61.47	2.420	60.96	2.400	64.77	2.650
25	60.96	2.400	64.01	2.520	63.50	2.500	67.31	2.750



2 CIRCUIT



3 CIRCUIT

RECOMMENDED P.C. BOARD LAYOUT
(FOR USE WITH (1.57)/.062 THICK BOARD)

- NOTES:**
1. HEADER MATERIAL: GLASS FILLED POLYESTER; UL94V-0; COLOR: BLACK
PIN MATERIAL: PHOSPHOR BRONZE
 2. HEADER TO BE USED WITH OPTION "G" 70400 AND 70430 SERIES SL CONNECTORS.
 3. REFER TO MOLEX PRODUCT SPECIFICATION PS-70541.
 4. STANDARD PACKAGING PER PK-70873-0015.
 5. DIMENSIONS WITHOUT TOLERANCE ARE SHOWN FOR REFERENCE ONLY.
 6. MEASURE POINT FOR PLATING THICKNESS.

PLATING CODES:

TIN	-	.000150 MINIMUM TIN PLATE OVER .000050 MINIMUM NICKEL PLATE.
15 GOLD	-	.000015 MINIMUM GOLD PLATE IN SELECT AREA, .000075 MINIMUM TIN PLATE IN SELECT AREA, OVER .000050 MINIMUM NICKEL PLATE OVERALL.
30 GOLD	-	.000030 MINIMUM GOLD PLATE IN SELECT AREA, .000075 MINIMUM TIN PLATE IN SELECT AREA, OVER .000050 MINIMUM NICKEL PLATE OVERALL.

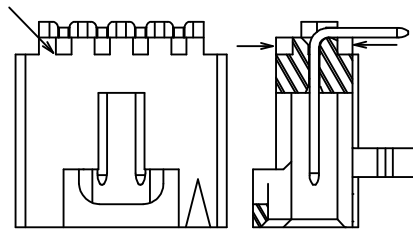
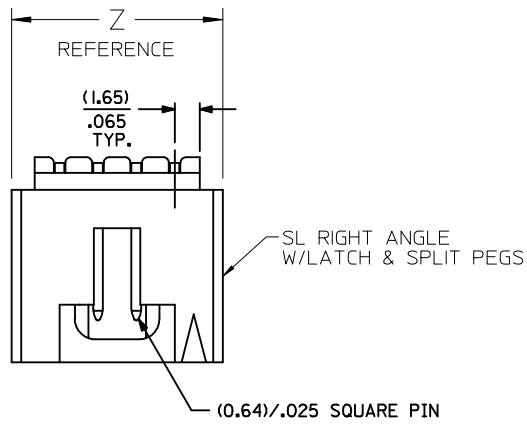
ADD DIMENSION "Z" & "C" EC NO: UCP2010-1081 DRWINHIS BARRA 2009/10/27 CHKD:DMORGAN 2009/11/09 APPR:SMILLER 2009/11/09	QUALITY SYMBOLS ▽=0 ▽=0 ▽=0	GENERAL TOLERANCES (UNLESS SPECIFIED) <table border="1"> <tr><th>mm</th><th>INCH</th></tr> <tr><td>4 PLACES ±---</td><td>±---</td></tr> <tr><td>3 PLACES ±---</td><td>±.005</td></tr> <tr><td>2 PLACES ±0.13</td><td>±.010</td></tr> <tr><td>1 PLACE ±0.25</td><td>±---</td></tr> </table> ANGULAR ±1/2°	mm	INCH	4 PLACES ±---	±---	3 PLACES ±---	±.005	2 PLACES ±0.13	±.010	1 PLACE ±0.25	±---	DIMENSION STYLE MM/IN DRAWN BY: DMORGAN DATE: 2005/04/11 CHECKED BY: BBARKER DATE: 2005/04/11 APPROVED BY: SMILLER DATE: 2005/04/11	SCALE 4:1 DESIGN UNITS INCH THIRD ANGLE PROJECTION
	mm	INCH												
	4 PLACES ±---	±---												
	3 PLACES ±---	±.005												
2 PLACES ±0.13	±.010													
1 PLACE ±0.25	±---													
DRAFT WHERE APPLICABLE MUST REMAIN WITHIN DIMENSIONS	MATERIAL NO. SEE TABLE SIZE C THIS DRAWING CONTAINS INFORMATION THAT IS PROPRIETARY TO MOLEX INCORPORATED AND SHOULD NOT BE USED WITHOUT WRITTEN PERMISSION	TITLE SALES ASSY, SL RIGHT ANGLE HEADER W/LATCH AND SPLIT PEGS (2.54)/.100 MOLEX MOLEX INCORPORATED DOCUMENT NO. SD-70551-001	SHEET NO. 1 OF 2											

13	12	11	10	9	8	7	6	5	4	3	2	1	
ENGINEERING NUMBER 70551	MANUFACTURE RELEASE STATUS					D	E	CONNECTOR END PLATING			P.C. BOARD END PLATING		
								TYPE	H MEAS.		TYPE	K MEAS.	
	R.F.M.					(3.30) .130	(6.10) .240	TIN	(2.54) .100		TIN	(1.27) .050	
-9036-9058	R.F.M.					(3.30) .130	(6.10) .240	15 GOLD	(2.54) .100		TIN	(1.27) .050	
-9073 & -9075	R.F.M.					(3.30) .130	(6.10) .240	30 GOLD	(2.54) .100		TIN	(1.27) .050	

CKTS	ITEM NUMBER	ITEM NUMBER	ITEM NUMBER	ITEM NUMBER	ITEM NUMBER	ITEM NUMBER	ITEM NUMBER	ITEM NUMBER	ITEM NUMBER	CKTS
02		70551-9036								02
03		70551-9037								03
04		70551-9038	70551-9073							04
05		70551-9039								05
06		70551-9040	70551-9075							06
07										07
08		70551-9042								08
09										09
10										10
11										11
12		70551-9046								12
13		70551-9047								13
14										14
15		70551-9049								15
16										16
17										17
18										18
19										19
20										20
21										21
22										22
23										23
24		70551-9058								24
25										25

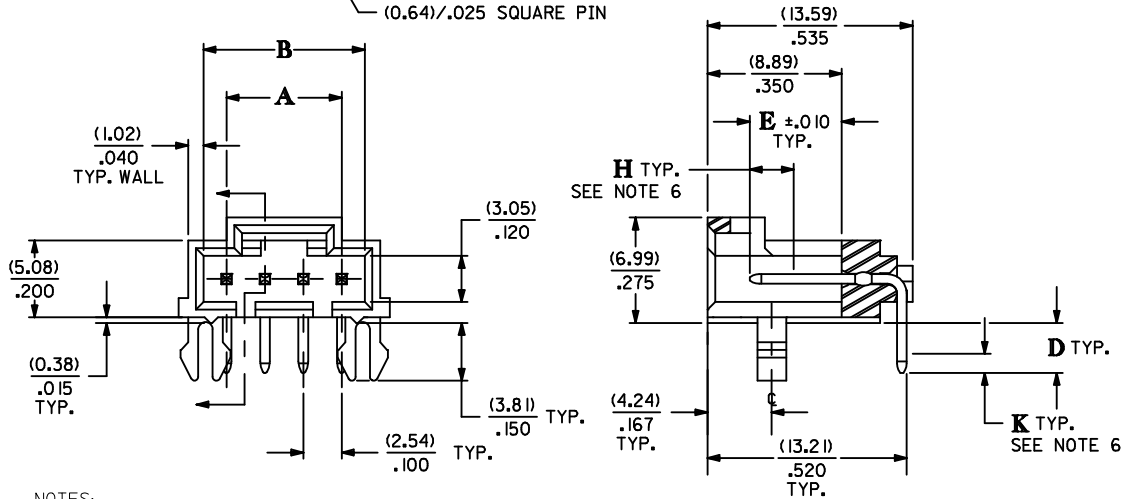
SEE SHEET 1 EC NO: UCP2010-1081 DRWN:MSI BARRA 2009/10/27 CHKD:DMORGAN 2009/11/09 APPR:SMILLER 2009/11/09	QUALITY SYMBOLS 	GENERAL TOLERANCES (UNLESS SPECIFIED)		DIMENSION STYLE MM/IN		SCALE 1:1	DESIGN UNITS INCH	THIRD ANGLE PROJECTION			
		4 PLACES ± --- ± ---	3 PLACES ± --- ± .005	2 PLACES ± 0.13 ± .010	1 PLACE ± 0.25 ± ---	DRAWN BY DMORGAN	DATE 2005/04/11	TITLE SALES ASSY, SL RIGHT ANGLE HEADER W/LATCH AND SPLIT PEGS (2.54)/.100			
		ANGULAR ± 1/2°				APPROVED BY SMILLER		DATE 2005/04/11	MATERIAL NO. DOCUMENT NO.		
		DRAFT WHERE APPLICABLE MUST REMAIN WITHIN DIMENSIONS				SEE TABLE		SD-70551-001			

THIS DRAWING CONTAINS INFORMATION THAT IS PROPRIETARY TO MOLEX INCORPORATED AND SHOULD NOT BE USED WITHOUT WRITTEN PERMISSION



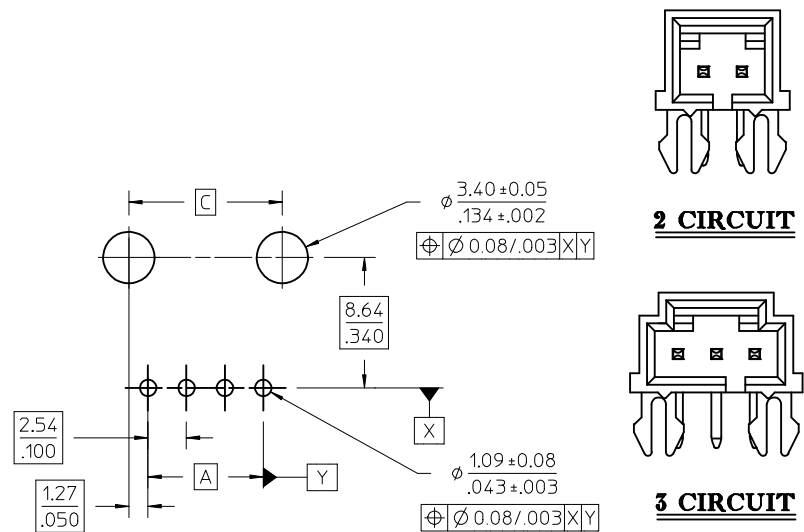
ALTERNATIVE CORING MANUFACTURER'S OPTION

CKT. SIZE	DIM. "A"		DIM. "B"		DIM. "C"		DIM. "Z"	
	MM	IN.	MM	IN.	MM	IN.	MM	IN.
2	2.54	.100	5.33	.210	5.08	.200	8.64	.340
3	5.08	.200	8.13	.320	7.62	.300	11.43	.450
4	7.62	.300	10.67	.420	10.16	.400	13.97	.550
5	10.16	.400	13.21	.520	12.70	.500	16.51	.650
6	12.70	.500	15.75	.620	15.24	.600	19.05	.750
7	15.24	.600	18.29	.720	17.78	.700	21.59	.850
8	17.78	.700	20.83	.820	20.32	.800	24.13	.950
9	20.32	.800	23.37	.920	22.86	.900	26.67	1.050
10	22.86	.900	25.91	1.020	25.40	1.000	29.21	1.150
11	25.40	1.000	28.45	1.120	27.94	1.100	31.75	1.250
12	27.94	1.100	30.99	1.220	30.48	1.200	34.29	1.350
13	30.48	1.200	33.53	1.320	33.02	1.300	36.83	1.450
14	33.02	1.300	36.07	1.420	35.56	1.400	39.37	1.550
15	35.56	1.400	38.61	1.520	38.10	1.500	41.91	1.650
16	38.10	1.500	41.15	1.620	40.64	1.600	44.45	1.750
17	40.64	1.600	43.69	1.720	43.18	1.700	46.99	1.850
18	43.18	1.700	46.23	1.820	45.72	1.800	49.53	1.950
19	45.72	1.800	48.77	1.920	48.26	1.900	52.07	2.050
20	48.26	1.900	51.31	2.020	50.80	2.000	54.61	2.150
21	50.80	2.000	53.85	2.120	53.34	2.100	57.15	2.250
22	53.34	2.100	56.39	2.220	55.88	2.200	59.69	2.350
23	55.88	2.200	58.93	2.320	58.42	2.300	62.23	2.450
24	58.42	2.300	61.47	2.420	60.96	2.400	64.77	2.550
25	60.96	2.400	64.01	2.520	63.50	2.500	67.31	2.750



- NOTES:
 1. MATERIAL:
 HOUSING: GLASS FILLED POLYESTER; UL94V-0
 COLOR: BLACK
 PIN MATERIAL: PHOSPHOR BRONZE
 2. HEADER TO BE USED WITH OPTION "G" 70400 AND 70430 SERIES SL CONNECTORS
 3. REFER TO MOLEX PRODUCT SPECIFICATION PS-70541
 4. STANDARD PACKAGING PER PK-70873-0015
 5. DIMENSIONS WITHOUT TOLERANCE ARE SHOWN FOR REFERENCE ONLY
 6. MEASURE POINT FOR PLATING THICKNESS

- PLATING CODES:
 TIN - 3.81 MICROMETERS/15 MICROINCHES MINIMUM BRIGHT TIN PLATE OVER 1.27 MICROMETERS/50 MICROINCHES MINIMUM NICKEL PLATE
 15 GOLD - 0.38 MICROMETERS/15 MICROINCHES MINIMUM GOLD PLATE IN SELECT AREA 1.91 MICROMETERS/75 MICROINCHES MINIMUM MATTE TIN PLATE IN SELECT AREA OVER 1.27 MICROMETERS/50 MICROINCHES MINIMUM NICKEL PLATE OVERALL
 30 GOLD - 0.76 MICROMETERS/15 MICROINCHES MINIMUM GOLD PLATE IN SELECT AREA 1.91 MICROMETERS/75 MICROINCHES MINIMUM MATTE TIN PLATE IN SELECT AREA OVER 1.27 MICROMETERS/50 MICROINCHES MINIMUM NICKEL PLATE OVERALL

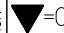
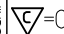
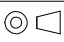




RECOMMENDED P.C. BOARD LAYOUT
 (FOR USE WITH (1.57)/.062 THICK BOARD)

ADD DIMENSION "Z" EC NO: UCP2010-1081 DRWN:MS BARRA 2009/10/26 CHKD: 2009/11/09 APPR:SWILLER 2009/11/09	QUALITY SYMBOLS ▽=0 ▽=0	GENERAL TOLERANCES (UNLESS SPECIFIED)		DIMENSION STYLE MM/IN		SCALE INCH	DESIGN UNITS INCH	THIRD ANGLE PROJECTION	
		4 PLACES ± --- ± ---	3 PLACES ± --- ± .005	DRAWN BY AAB	DATE 1993/05/13	TITLE SL RIGHT ANGLE HEADER W/LATCH & SPLIT PEGS (2.54)/.100 CENTERS			
		2 PLACES ± 0.13 ± .010	1 PLACE ± 0.25 ± ---	CHECKED BY AAB	DATE 1993/05/13	MOLEX INCORPORATED			
		ANGULAR ±1/2°		APPROVED BY WAZ	DATE 1993/05/13	MATERIAL NO. SEE TABLE		DOCUMENT NO. SDA-70551-****	SHEET NO. 1 OF 2
DRAFT WHERE APPLICABLE MUST REMAIN WITHIN DIMENSIONS		THIS DRAWING CONTAINS INFORMATION THAT IS PROPRIETARY TO MOLEX INCORPORATED AND SHOULD NOT BE USED WITHOUT WRITTEN PERMISSION							

13		12		11		10		9		8		7		6		5		4		3		2		1	
J	ENGINEERING NUMBER A-7055 I	MANUFACTURE RELEASE STATUS					D	E				CONNECTOR END PLATING				P.C. BOARD END PLATING									
												TYPE	H MEAS.			TYPE	K MEAS.								
	-0001-0024	R.F.M.					(3.30) .130	(6.10) .240				TIN	(2.54) .100			TIN	(1.27) .050								
	-0036-0059	R.F.M.					(3.30) .130	(6.10) .240				15 GOLD	(2.54) .100			TIN	(1.27) .050								
I	-0071-0094	R.F.M.					(3.30) .130	(6.10) .240				30 GOLD	(2.54) .100			TIN	(1.27) .050								
H																									

CKTS	ITEM NUMBER	ITEM NUMBER	ITEM NUMBER	ITEM NUMBER	ITEM NUMBER	ITEM NUMBER	ITEM NUMBER	ITEM NUMBER	ITEM NUMBER	CKTS
02	705-51-0001	705-51-0036	705-51-0071							02
03	705-51-0002	705-51-0037	705-51-0072							03
04	705-51-0003	705-51-0038	705-51-0073							04
05	705-51-0004	705-51-0039	705-51-0074							05
06	705-51-0005	705-51-0040	705-51-0075							06
07	705-51-0006	705-51-0041	705-51-0076							07
08	705-51-0007	705-51-0042	705-51-0077							08
09	705-51-0008	705-51-0043	705-51-0078							09
10	705-51-0009	705-51-0044	705-51-0079							10
11	705-51-0010	705-51-0045	705-51-0080							11
12	705-51-0011	705-51-0046	705-51-0081							12
13	705-51-0012	705-51-0047	705-51-0082							13
14	705-51-0013	705-51-0048	705-51-0083							14
15	705-51-0014	705-51-0049	705-51-0084							15
16	705-51-0015	705-51-0050	705-51-0085							16
17	705-51-0016	705-51-0051	705-51-0086							17
18	705-51-0017	705-51-0052	705-51-0087							18
19	705-51-0018	705-51-0053	705-51-0088							19
20	705-51-0019	705-51-0054	705-51-0089							20
21	705-51-0020	705-51-0055	705-51-0090							21
22	705-51-0021	705-51-0056	705-51-0091							22
23	705-51-0022	705-51-0057	705-51-0092							23
24	705-51-0023	705-51-0058	705-51-0093							24
25	705-51-0024	705-51-0059	705-51-0094							25

SEE SHEET 1 EC NO: UCP2010-1081 2009/10/26 DRWN:MS BARRA 2009/11/09 CHKD: 2009/11/09 APPR:SMILLER 2009/11/09	QUALITY SYMBOLS  = 0  = 0	GENERAL TOLERANCES (UNLESS SPECIFIED)		DIMENSION STYLE MM/IN		SCALE 4:1	DESIGN UNITS INCH	 THIRD ANGLE PROJECTION	
		4 PLACES ± --- ± ---	DRAWN BY AAB	DATE 1993/05/13	SL RIGHT ANGLE HEADER W/LATCH & SPLIT PEGS (2.54)/.100 CENTERS				
		3 PLACES ± --- ± .005	CHECKED BY AAB	DATE 1993/05/13					
		2 PLACES ± 0.13 ± .010	APPROVED BY WAZ		DATE 1993/05/13	 MOLEX INCORPORATED		MATERIAL NO. SEE TABLE	DOCUMENT NO. SDA-70551-****
1 PLACE ± 0.25 ± ---	DRAFT WHERE APPLICABLE MUST REMAIN WITHIN DIMENSIONS		SIZE 		THIS DRAWING CONTAINS INFORMATION THAT IS PROPRIETARY TO MOLEX INCORPORATED AND SHOULD NOT BE USED WITHOUT WRITTEN PERMISSION				