

PLEASE CHECK WWW.MOLEX.COM FOR LATEST PART INFORMATION

Part Number: [0913383601](#)
Status: **Active**
Overview: [rast 5 connector system](#)
Description: 5.00mm (.197") Pitch Appli-Mate RAST 5 Female Connector, Vertical, 1 Circuit, Yellow, Silver (Ag) Plating, Reference K01

Documents:

[3D Model](#) [Product Specification PS-99020-0037 \(PDF\)](#)
[Drawing \(PDF\)](#) [RoHS Certificate of Compliance \(PDF\)](#)

General

Product Family IDT and Solder Connectors
 Series [91338](#)
 Crimp Quality Equipment Yes
 Overview [rast 5 connector system](#)
 Product Name RAST 5

Physical

Circuits (Loaded) 1
 Color - Resin Yellow
 Durability (mating cycles max) 10
 Gender Female
 Glow-Wire Compliant No
 Lock to Mating Part None
 Material - Metal Phosphor Bronze
 Material - Plating Mating Silver
 Material - Plating Termination Silver
 Material - Resin Nylon
 Number of Rows 1
 Packaging Type Tray
 Panel Mount No
 Pitch - Mating Interface (in) 0.197 In
 Pitch - Mating Interface (mm) 5.00 mm
 Plating min: Mating (µin) 80
 Plating min: Mating (µm) 2
 Plating min: Termination (µin) 4
 Plating min: Termination (µm) .10
 Stackable Yes
 Temperature Range - Operating -20°C to +85°C
 Termination Interface: Style IDT or Pierce
 Wire Size AWG 18, 20

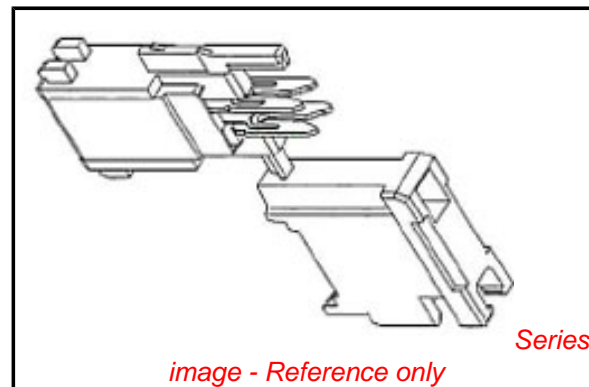
Electrical

Current - Maximum per Contact 10A, 6A
 Voltage - Maximum 250V

Material Info

Reference - Drawing Numbers

Application Specification AS-99033-0004
 Product Specification PS-99020-0037
 Sales Drawing SD-91338-006



EU RoHS

ELV and RoHS Compliant
REACH SVHC
 Not Reviewed
Halogen-Free Status
Not Reviewed

China RoHS



Need more information on product environmental compliance?

Email productcompliance@molex.com
 For a multiple part number RoHS Certificate of Compliance, [click here](#)

Please visit the [Contact Us](#) section for any non-product compliance questions.

Search Parts in this Series

[91338Series](#)

Mates With

Appli-Mate RAST 5.0 Header [90858](#) , [90879](#)

Application Tooling | FAQ

Tooling specifications and manuals are found by selecting the products below. Crimp Height Specifications are then contained in the Application Tooling Specification document.

Global

| Description | Product # |
|---|----------------------------|
| RAST 5.0 Semi-Automatic Terminator Machine for Appli-Mate™ Connector 6 and 10 AMP | 0623006300 |

PLEASE CHECK WWW.MOLEX.COM FOR LATEST PART INFORMATION

10 9 8 7 6 5 4 3 2 1

F

E

D

C

B

A

F

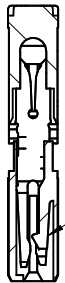
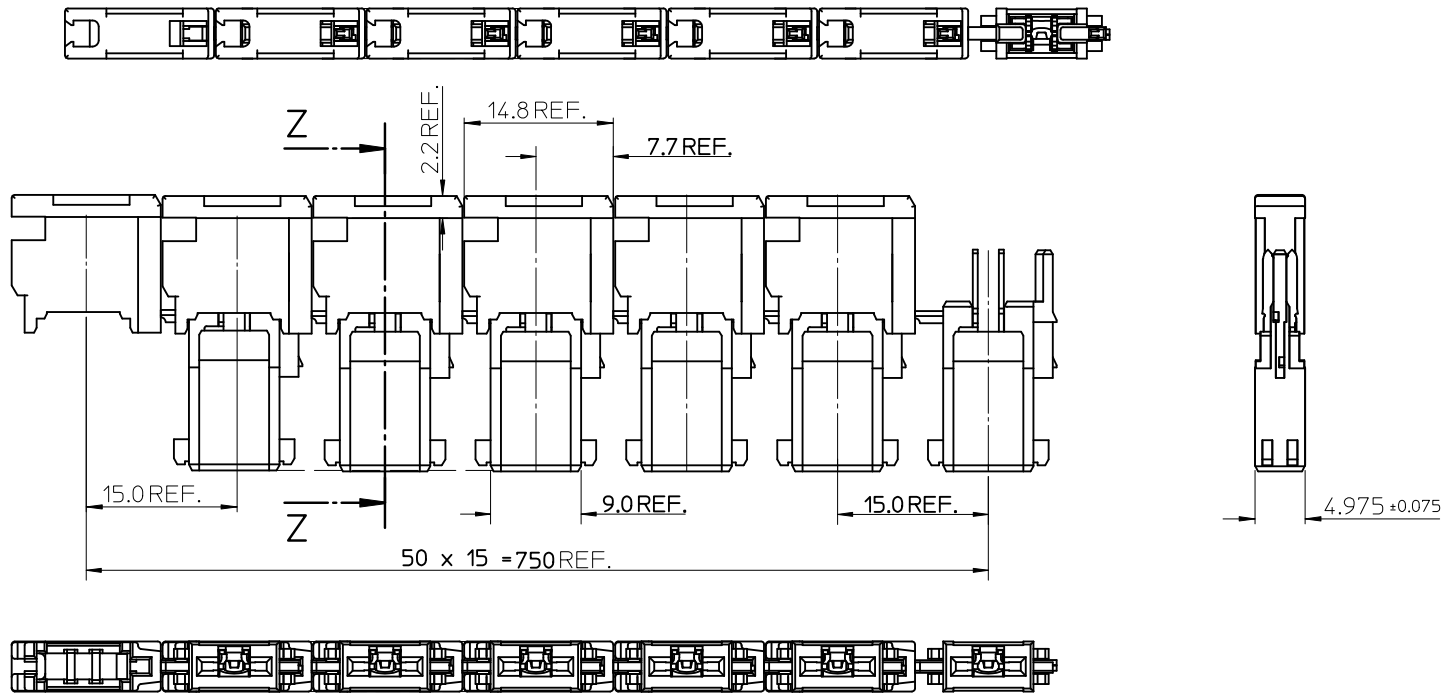
E

D

C

B

A



LOCKING TAB

Z-Z

NOTES:

1. MATERIALS:

HOUSING: POLYAMIDE (PA66) UL 94V-2
 TERMINAL: COPPER ALLOY, 0.5 REF THICK

PLATING:

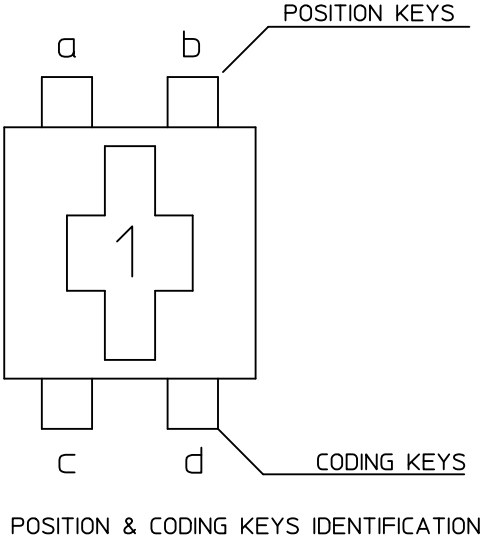
OPTION 1: 5µm MIN PURE Sn ALL OVER
 OR
 OPTION 2: 2µm MIN SILVER IN CONTACT AREA
 0.05µm MIN SILVER FLASH ALLOWER

2. PRODUCT CONFORMS TO SPECIFICATION PS-99020-0037
 3. PACKAGING SPECIFICATION PK-90833-001
 4. REFER TO APPLICATION SPECIFICATION AS-99033-0004

| | | | | | | |
|---|--|--|--|---|---|--|
| plating flash change EC NO: E2010-0213 DRWN: BRITTLE 2010/01/08 CHKD: T. TOURISH 2010/01/19 APPR: B. MAGUIRE 2010/01/19 REV H | QUALITY SYMBOLS ▽=0 ▽=0 | GENERAL TOLERANCES (UNLESS SPECIFIED) mm INCH 4 PLACES ± --- ± --- 3 PLACES ± --- ± --- 2 PLACES ± 0.05 ± --- 1 PLACE ± 0.10 ± --- ANGULAR ± 2 ° | DIMENSION STYLE MM ONLY DRAWN BY: CCONLON DATE: 1999/06/28 CHECKED BY: PWHITE DATE: 1999/06/28 APPROVED BY: MWHITE DATE: 1999/07/01 MATERIAL NO. | SCALE 2:1 DESIGN UNITS METRIC THIRD ANGLE PROJECTION | TITLE 5MM APPLI-MATE 1CKT 10A FEMALE CONNECTOR MOLEX INCORPORATED DOCUMENT NO. SD-91338-006 SHEET NO. 1 OF 2 | |
| | DRAFT WHERE APPLICABLE MUST REMAIN WITHIN DIMENSIONS | | SEE CHART | THIS DRAWING CONTAINS INFORMATION THAT IS PROPRIETARY TO MOLEX INCORPORATED AND SHOULD NOT BE USED WITHOUT WRITTEN PERMISSION | | |
| | | | SIZE A3 | | | |
| | | | | | | |

9 8 7 6 5 4 3 2 1

| MOLEX PART NUMBER (See Note 3.) | TERMINAL (see Note 1 sheet1) | COLOUR | POSITION KEYS | CODING KEYS | CONFIGURATION | REF | | | | |
|------------------------------------|---------------------------------|---------|---------------|-------------|---------------|-----|-----|-----|--|-----|
| 91338-0102 | OPTION 1 (TIN) | NATURAL | b | c d | | K02 | | | | |
| 91338-3102 | OPTION 2 (SILVER) | | | | | | | | | |
| 91338-0103 | OPTION 1 (TIN) | NATURAL | NONE | NONE | | K12 | | | | |
| 91338-3103 | OPTION 2 (SILVER) | | | | | | | | | |
| 91338-0403 | OPTION 1 (TIN) | BLUE | a | c d | | K03 | | | | |
| 91338-3403 | OPTION 2 (SILVER) | | | | | | | | | |
| 91338-0601 | OPTION 1 (TIN) | YELLOW | a b | d | | K01 | | | | |
| 91338-3601 | OPTION 2 (SILVER) | | | | | | | | | |
| 91338-0501 | OPTION 1 (TIN) | GREY | | | | | | | | |
| 91338-3501 | OPTION 2 (SILVER) | | | | | | | | | |
| 91338-0801 | OPTION 1 (TIN) | BLACK | | | | | | | | |
| 91338-3801 | OPTION 2 (SILVER) | | | | | | | | | |
| 91338-0104 | OPTION 1 (TIN) | NATURAL | NONE | c | | K11 | | | | |
| 91338-3104 | OPTION 2 (SILVER) | | | | | | | | | |
| 91338-0105 | OPTION 1 (TIN) | NATURAL | a | c | | K09 | | | | |
| 91338-3105 | OPTION 2 (SILVER) | | | | | | | | | |
| 91338-0507 | OPTION 1 (TIN) | GREY | a b | c | | K07 | | | | |
| 91338-3507 | OPTION 2 (SILVER) | | | | | | | | | |
| 91338-0607 | OPTION 1 (TIN) | YELLOW | | | | | | | | |
| 91338-3607 | OPTION 2 (SILVER) | | | | | | | | | |
| 91338-0700 | OPTION 1 (TIN) | GREEN | | | | | a b | c d | | K00 |
| 91338-3700 | OPTION 2 (SILVER) | | | | | | | | | |



| | | | | | | | | |
|---|--|---------------------------------------|-------------------------|----------------------------|--|---|------------------------|------------------------|
| SEE SHEET 1 EC NO: E2010-02/13 DRW: BRUTTE 2010/01/08 CHKD: T. TOURISH 2010/01/19 APPR: BMAGUIRE 2010/01/19 | DESCRIPTION QUALITY SYMBOLS ▽=0 ◻=0 | GENERAL TOLERANCES (UNLESS SPECIFIED) | | DIMENSION STYLE MM ONLY | | SCALE 2:1 | DESIGN UNITS METRIC | THIRD ANGLE PROJECTION |
| | | 4 PLACES ± --- ± --- | DRAWN BY CCONLON | DATE 1999/06/28 | TITLE 5MM APPLI-MATE 1CKT 10A FEMALE CONNECTOR | | | |
| | | 3 PLACES ± --- ± --- | CHECKED BY PWHITE | DATE 1999/06/28 | | | | |
| | | 2 PLACES ± 0.05 ± --- | APPROVED BY MWILHITE | DATE 1999/07/01 | MOLEX INCORPORATED DOCUMENT NO. SD-91338-006 | | | |
| 1 PLACE ± 0.10 ± --- | MATERIAL NO. SEE CHART | | SHEET NO. 2 OF 2 | | | | | |
| DRAFT WHERE APPLICABLE MUST REMAIN WITHIN DIMENSIONS | | | | SIZE A3 | | THIS DRAWING CONTAINS INFORMATION THAT IS PROPRIETARY TO MOLEX INCORPORATED AND SHOULD NOT BE USED WITHOUT WRITTEN PERMISSION | | |