

PLEASE CHECK WWW.MOLEX.COM FOR LATEST PART INFORMATION

Part Number: [0521170241](#)
Status: **Active**
Overview: [splash_proof](#)
Description: 2.50mm (.098") Pitch Splash Proof Wire-to-Wire Receptacle Housing, 2 Circuits

Documents:

[3D Model](#) [Product Specification PS-52117-002 \(PDF\)](#)
[Drawing \(PDF\)](#) [RoHS Certificate of Compliance \(PDF\)](#)
[Product Specification PS-52117-001 \(PDF\)](#)

General

Product Family Crimp Housings
 Series [52117](#)
 Overview [splash_proof](#)
 Product Name Splash Proof

Physical

Circuits (maximum) 2
 Color - Resin Black
 Gender Receptacle
 Glow-Wire Compliant No
 Lock to Mating Part Yes
 Material - Resin Polyester
 Number of Rows 1
 Packaging Type Tray
 Panel Mount No
 Pitch - Mating Interface (in) 0.197 In
 Pitch - Mating Interface (mm) 5.00 mm
 Stackable No
 Temperature Range - Operating -40°C to +105°C

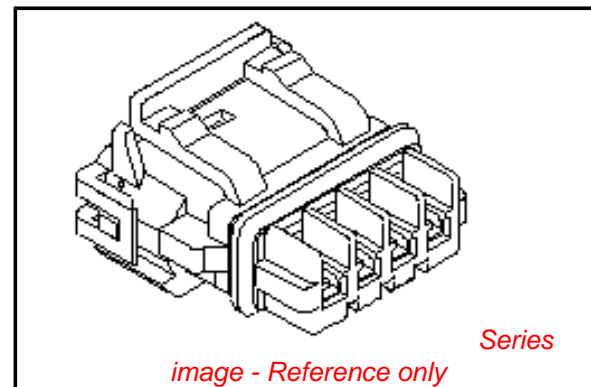
Electrical

Current - Maximum per Contact 3A

Material Info

Reference - Drawing Numbers

Packaging Specification SPK-52117-001
 Product Specification PS-52117-001, PS-52117-002
 Sales Drawing SD-52117-02**



EU RoHS

**ELV and RoHS
Compliant**
REACH SVHC
 Not Reviewed
**Halogen-Free
Status**

China RoHS



**Need more information on product
environmental compliance?**

Email productcompliance@molex.com
 For a multiple part number RoHS Certificate of Compliance, [click here](#)

Please visit the [Contact Us](#) section for any non-product compliance questions.

Search Parts in this Series

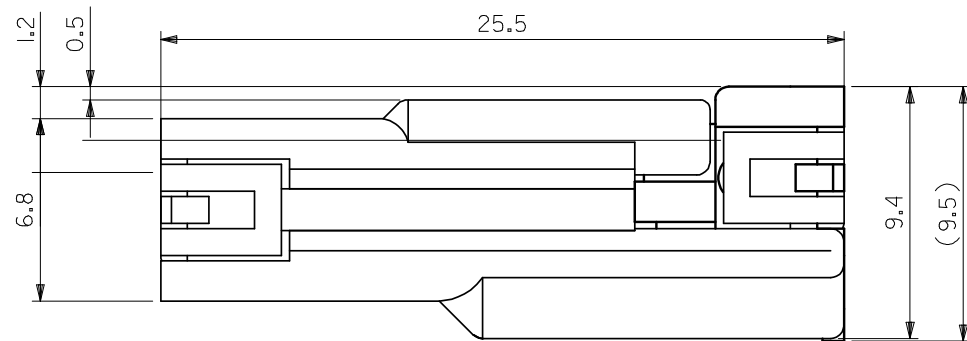
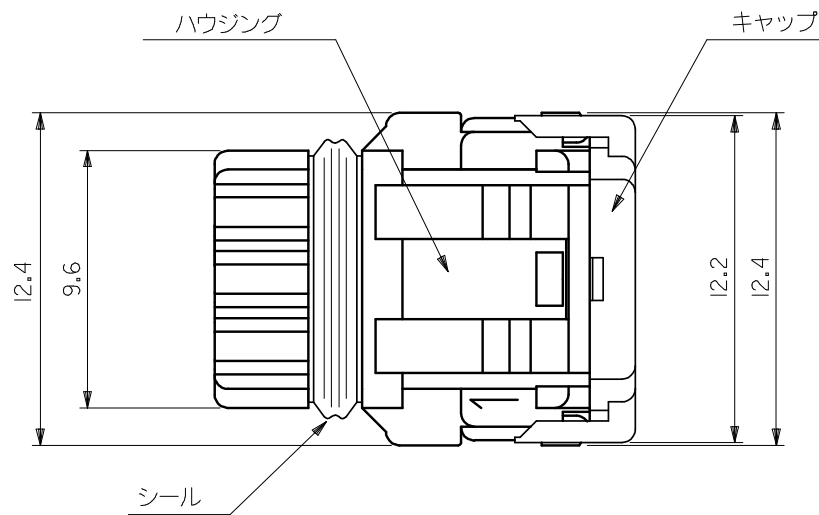
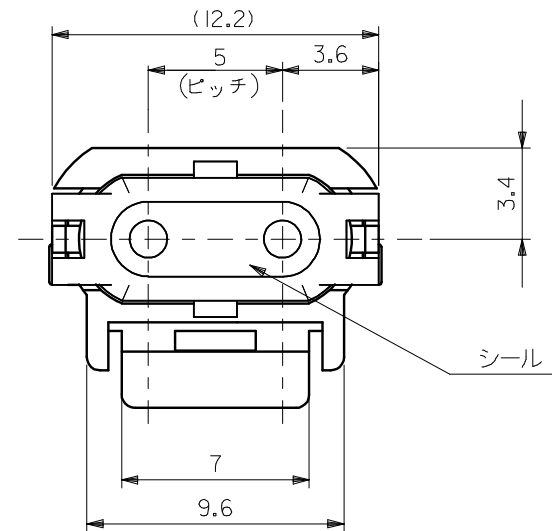
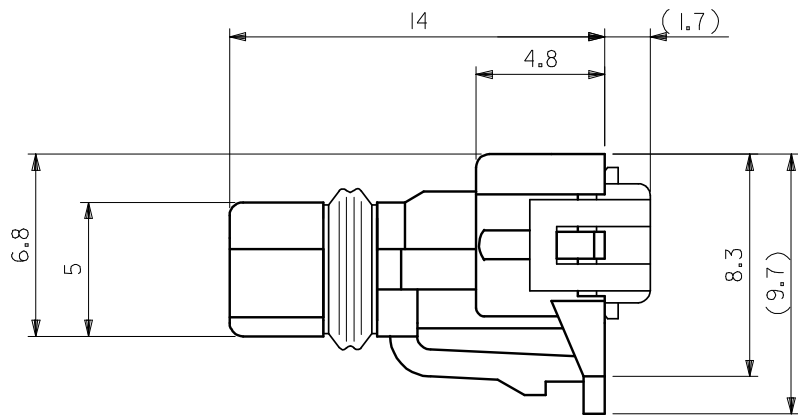
[52117Series](#)

Mates With

[52116](#)

Use With

[50039](#)



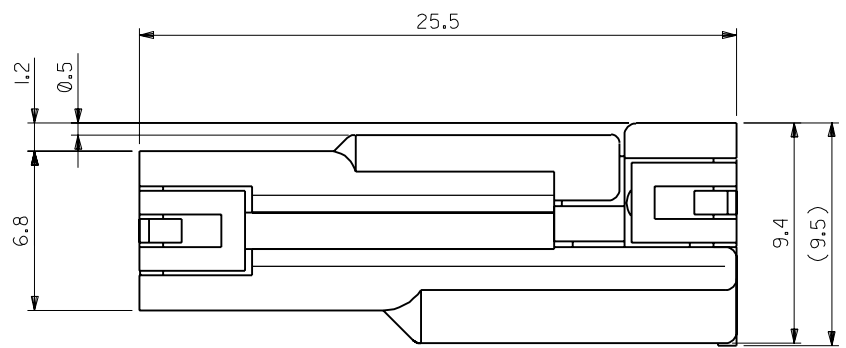
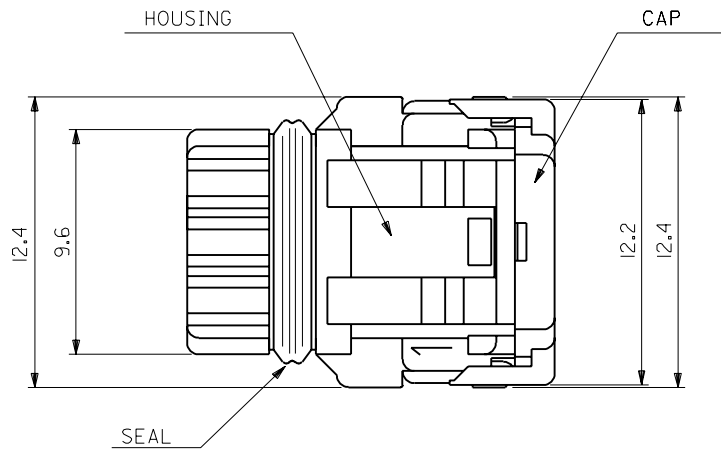
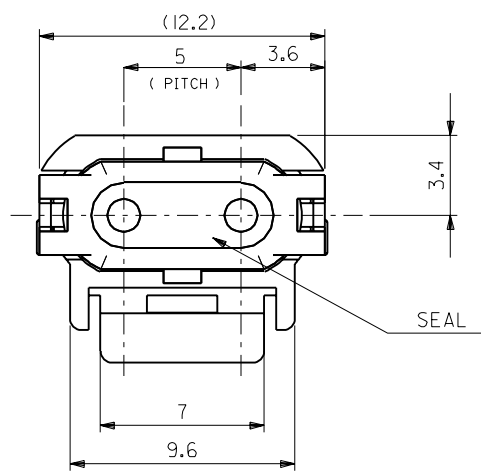
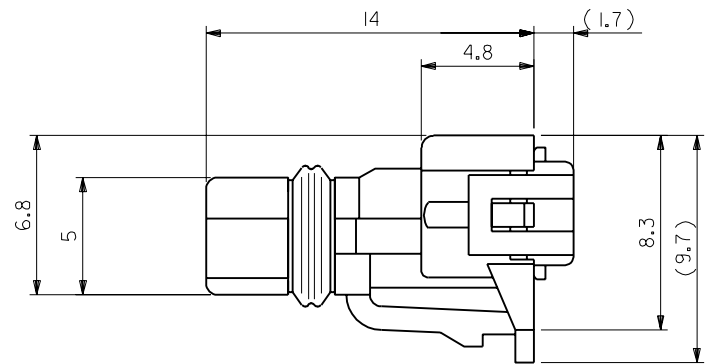
嵌合状態図
FULLY MATED CONDITION

NOTE

- 適合ターミナル: 50039-8*00
APPLICABLE TERMINAL : 50039-8*00
- 材料
MATERIAL
キャップ: ポリエステル (ガラス15%含有)
CAP: POLYESTER(15% GF)
ハウジング: ポリエステル (ガラス15%含有)
HOUSING: POLYESTER(15% GF)
シール: シリコンゴム
SEAL: SILICONE RUBBER
- 嵌合相手: 52116-02**
MATE WITH: 52116-02**
- 表の色はハウジング色を表す。
HOUSING COLOR IS SHOWN IN CHART
- ELV及びRoHS適合品
ELV AND RoHS COMPLIANT

AVSS0.3, AWG#20-22	白 WHITE	52117-0243
AVS0.3, AWG#20-22	赤 RED	52117-0242
AVS0.3, AWG#20-22	黒 BLACK	52117-0241
AVS0.3, AWG#20-22	白 WHITE	52117-0240
適用電線範囲 APPLICABLE WIRE RANGE	色 COLOR	ENG. NO.

REVISED & REDRAWN EC NO: JTR2009-0017 DRWN: T. IIDA01 2008/07/23 CHKD: TAITO 2008/07/23 APPR: AKAMESHIGE 2008/07/23	GENERAL TOLERANCES (UNLESS SPECIFIED)		DIMENSION STYLE MM ONLY		SCALE 5:1	DESIGN UNITS METRIC	THIRD ANGLE PROJECTION	
	10 UNDER	±0.2	DRAWN BY Y. ASHIZAWA	DATE 1988/7/8	TITLE 2.5 SPLASH PROOF CONN. REC. HSG ASSY W/POSITIVE LOCK			
	10 OVER 30 UNDER	±0.25	CHECKED BY M. SAKANO	DATE 1988/7/8				
	30 OVER	±0.3	APPROVED BY M. ENOMOTO	DATE 1988/7/8	MOLEX INCORPORATED			
	ANGULAR ±3 °		MATERIAL NO.	DOCUMENT NO.				
DRAFT WHERE APPLICABLE MUST REMAIN WITHIN DIMENSIONS		SEE CHART		SD-52117-02**				
THIS DRAWING CONTAINS INFORMATION THAT IS PROPRIETARY TO MOLEX INCORPORATED AND SHOULD NOT BE USED WITHOUT WRITTEN PERMISSION								



FULLY MATED CONDITION

AVS0.3, AWG#20-22	RED	52117-0242
AVS0.3, AWG#20-22	BLACK	52117-0241
AVS0.3, AWG#20-22	WHITE	52117-0240
WIRE RANGE	COLOR	ENG. NO.

- NOTES**
- ACCEPTS CRIMP TERMINAL:50039-8*00
 - MATE'L:
 - CAP ;POLYESTER(15%G.F.)
 - HOUSING;POLYESTER(15%G.F.)
 - SEAL ;SILICONE
 - MATES WITH:52116-02**
 - COLOR IN THE CHART INDICATES HOUSING COLOR

<table border="1"> <tr> <td>角度 ANGLE</td> <td>±3°</td> <td></td> <td></td> </tr> <tr> <td>30以上 OVER</td> <td>+0.3</td> <td>A</td> <td>REVISED (J90218)</td> </tr> <tr> <td>10以上 30未滿 UNDER</td> <td>+0.25</td> <td>0</td> <td>RELEASED (J80600)</td> </tr> <tr> <td>10未滿 UNDER</td> <td>+0.2</td> <td></td> <td></td> </tr> </table>				角度 ANGLE	±3°			30以上 OVER	+0.3	A	REVISED (J90218)	10以上 30未滿 UNDER	+0.25	0	RELEASED (J80600)	10未滿 UNDER	+0.2			材料 MATERIAL SEE NOTES		MOLEX MOLEX-JAPAN CO.,LTD. 日本モレックス株式会社	
角度 ANGLE	±3°																						
30以上 OVER	+0.3	A	REVISED (J90218)																				
10以上 30未滿 UNDER	+0.25	0	RELEASED (J80600)																				
10未滿 UNDER	+0.2																						
仕上げ FINISH //				EDP. NO. //																			
適用電線範囲 WIRE RANGE SEE CHART				ENG. NO. SD-52117-02**																			
被覆外径 INS. RANGE Ø 1.8-1.9				REV A																			
一般公差 GENERAL TOLERANCES REVISE ONLY ON CAD SYSTEM				TITLE 名称 2.5 SPLASH PROOF CONN. REC. HS'G ASS'Y W/POSITIVE LOCK																			
記号 LTR 変更内容 REVISION RECORD DR. CHK. DATE 日付				DRAWN BY 7/8/88 Y.ASHIZAWA M.SAKANO APP'D BY M.ENOMOTO 尺度 SCALE 5-1																			