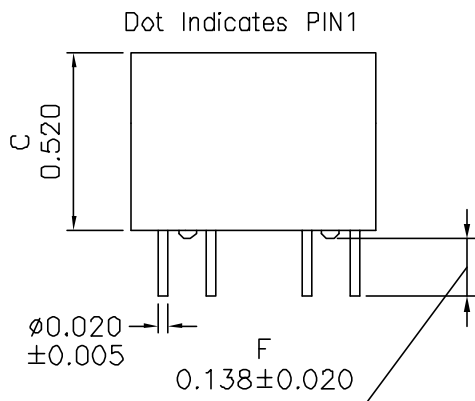
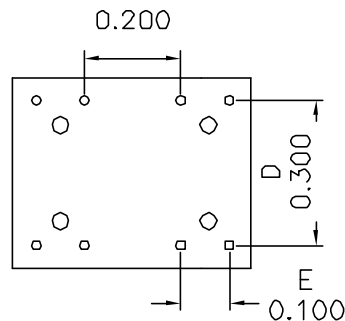
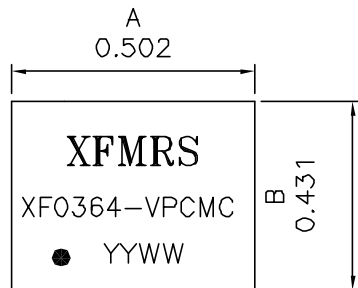
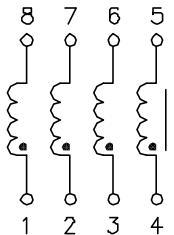


1. Dimensions:



2. Schematic:



3. Electrical Specifications: @25°C

Isolation: 500 Vrms

Turns Ratio: 1:1:1:1 ±5%

OCL: 3600uH Minimum @100KHz 50mV Each Wdg.

DCR: 0.500 Ohms Max Each Wdg.

CM Attenuation:

42dB Typ @100KHz

43dB Typ @1MHz

42dB Typ @10MHz

32dB Typ @30MHz

27dB Typ @50MHz

17dB Typ @100MHz

15dB Typ @300MHz

9dB Typ @500MHz

13dB Typ @1GHz

Note:

1. Solderability: Leads shall meet MIL-STD-202, Method 208D for solderability.
2. Flammability: UL94V-0,
3. ASTM oxygen index: > 28% ,
4. Temperature rating: 155°C. UL file E151556,
5. Operating Temperature Range:-40°C to +85°C

DOC. REV A/1

PROPRIETARY

Document is the property of XFMRS Group & is not allowed to be duplicated without authorization.

XFMRS Inc.	Title: DATA LINE FILTER MODULES		
	UNLESS OTHERWISE SPECIFIED	P/N: XF0364-VPCMC	REV. A
TOLERANCES: .xxx ±0.010	DWN.	李小锋	Apr-20-04
Dimensions in Inch	CHK.	廖玉坤	Apr-20-04
SCALE 2.5:1 SHT 1 OF 1	APP.	BW	Apr-20-04