

PLEASE CHECK WWW.MOLEX.COM FOR LATEST PART INFORMATION

Part Number: [1200905076](#)
Status: **Active**
Overview: [nanochange 40m841 products](#)
Description: Nano-Change® (M8) Receptacle, M8 x 0.5 Mounting Threads, Straight Female, Male Length 0.20m (7.87") Length, with 4 Poles on Mating Side

Documents:

[Drawing \(PDF\)](#) [RoHS Certificate of Compliance \(PDF\)](#)

General

| | |
|----------------|--|
| Product Family | Industrial Receptacles |
| Series | 120090 |
| IP Rating | IP67 |
| NEMA Rating | NEMA 6 |
| Overview | nanochange 40m841 products |
| Product Name | Nano-Change® (M8) |
| Type | Single Ended (pigtail) |

Physical

| | |
|-------------------------------|---------------------|
| Coupling Type | Internal Thread |
| Gender | Female |
| Keyway | None |
| Length | 0.20m (7.87") |
| Material - Component | Nickel-plated Brass |
| Mounting Thread Size | M8 x 0.5 |
| Orientation | Straight |
| Panel Mount | Back, Front |
| Poles | 4 |
| Temperature Range - Operating | -25°C to +90°C |
| Wire Size AWG | 24 |
| Wire/Cable Type | Leads |

Electrical

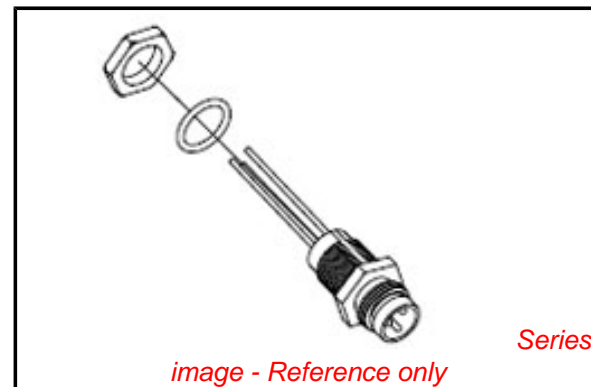
| | |
|-------------------------------|-----------------|
| Current - Maximum per Contact | 4A |
| Voltage - Maximum | 60V AC / 75V DC |

Material Info

| | |
|-----------------|---------------|
| Old Part Number | 4R4F30E02C200 |
|-----------------|---------------|

Reference - Drawing Numbers

| | |
|---------------|---------------|
| Sales Drawing | SD-120090-002 |
|---------------|---------------|



EU RoHS

**ELV and RoHS
Compliant
REACH SVHC
Not Reviewed
Halogen-Free
Status**

China RoHS



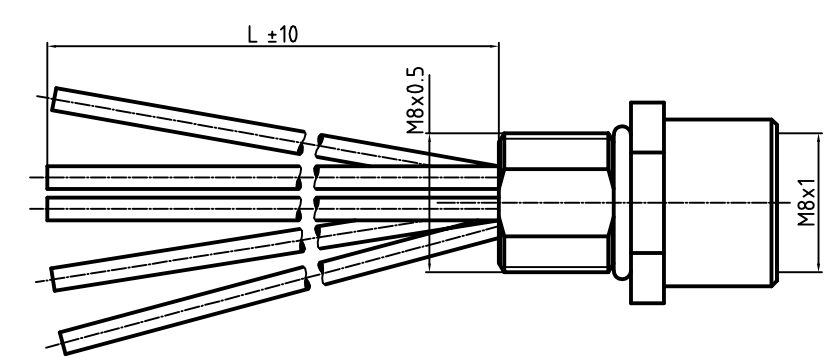
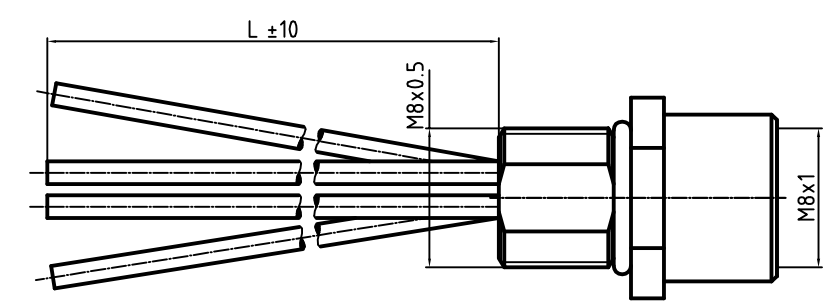
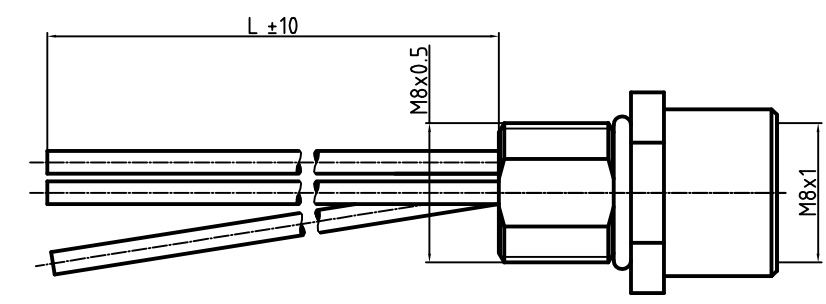
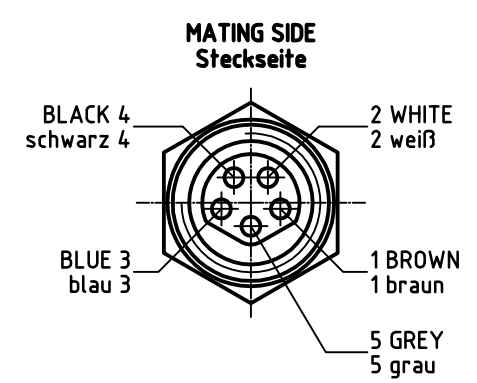
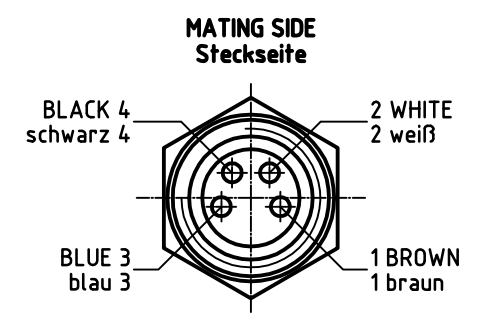
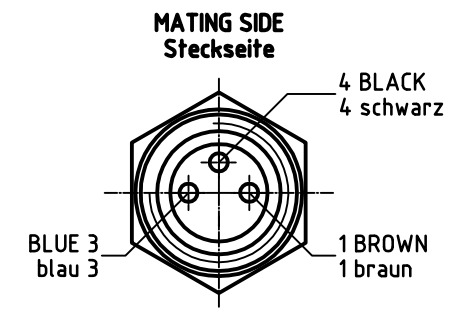
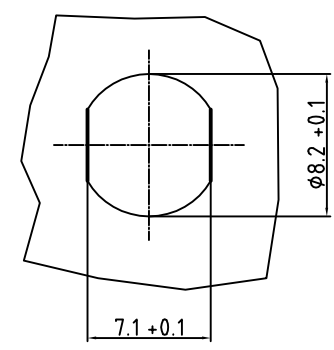
**Need more information on product
environmental compliance?**

Email productcompliance@molex.com
 For a multiple part number RoHS Certificate of
 Compliance, [click here](#)

Please visit the [Contact Us](#) section for any
 non-product compliance questions.

Search Parts in this Series
[120090Series](#)

MOUNTING HOLE
Montageausschnitt



NOTES / Bemerkung:

| | | |
|---|--|-----------------|
| 1 | CRIMP CONTACT Crimp Kontakt | WN-00003 |
| 2 | CABLE LENGTH TOLERANCE Kabellängentoleranz | WN-00004 |
| 3 | POTTING Verguss | ES-120000-019 |
| 4 | PACKAGING FOR RECEPTACLE Verpackung für Gerätestecker | PK-120000-018 |
| 5 | PIN-ASSIGNMENT Pin-Belegung | IEC 61076-2-104 |
| 6 | WINDING SPECIFICATION Wickelvorschrift | ES-120000-020 |

| SAP-NUMBER SAP-Nummer | OLD MATERIAL-NO. alte Artikel-Nr. | LENGTH Länge | REPLACED Ersatz für |
|--------------------------|--------------------------------------|-----------------|------------------------|
| 1200905071 | 4R3F30E02C200 | 0.2 M | 0908 031GF 09000 |
| 1200905102 | 4R3F30E02C500 | 0.5 M | 0908 031GF 09003 |
| 1200905076 | 4R4F30E02C200 | 0.2 M | 0908 041GF 09000 |
| 1200905106 | 4R5F30E02C200 | 0.2 M | 0908 051GF 09000 |

| | |
|--|--|
| DESCRIPTION EC NO.: WEU2009-0457 6/19/09 DRWN: BBRAUCH CH'KD: --- APPR: JKOLB 2009/09/15 | QUALITY SYMBOLS ▽ = 0 ▽/C = 0 |
|--|--|

| | GENERAL TOLERANCES (UNLESS SPECIFIED) | |
|------------------|--|------|
| | mm | INCH |
| 4 PLACES | ±--- | ±--- |
| 3 PLACES | ±--- | ±--- |
| 2 PLACES | ±0.05 | ±--- |
| 1 PLACE | ±0.1 | ±--- |
| ANGULAR ± ---- ° | | |

DRAFT WHERE APPLICABLE
MUST REMAIN
WITHIN DIMENSIONS

| | |
|---------------------------|---|
| DIMENSION STYLE MM | |
| DRAWN BY BB | DATE 2009/06/19 |
| CHECKED BY JKO | DATE 2009/08/05 |
| APPROVED BY FP | DATE 2009/08/05 |
| MATERIAL NO. see table | |
| SIZE A3 | THIS DRAWING CONTAINS INFORMATION THAT IS PROPRIETARY TO MOLEX INCORPORATED AND SHOULD NOT BE USED WITHOUT WRITTEN PERMISSION |

| | | |
|---|------------------------|---------------------------|
| SCALE 2:1 | DESIGN UNITS METRIC | FIRST ANGLE PROJECTION |
| M8 FEMALE RECEPTACLES-XM M8 GERAETEBUCHSE-XM | | |
| MOLEX INCORPORATED | | |
| DOCUMENT NO. SD-120090-002 | SHEET NO. 1 OF 1 | |