

IEC Appliance Inlet C20, Snap-in Mounting, Front Side, Solder or Quick-connect or Screw-on Terminal



C20



70 °C

**Description**

- Panel Mount:
Snap-in version, from front side
- Appliance Inlet, Pin temperature 70 °C, Protection class I

Approvals

- VDE License Number: 40026179
- UL License Number: E96454
- CSA License Number: 27324

Technical Data

Ratings IEC	16A / 250VAC; 50Hz
Ratings UL/CSA	21A / 250VAC; 60Hz
Dielectric Strength	> 3 kVAC between L-N > 1.5 kVAC between L/N-PE (1 min/50Hz)
Allowable Operation Temp.	-25 °C to 70 °C
Degree of Protection	from front side IP 20 acc. to IEC 60529
Protection Class	Suitable for appliances with protection class 1 acc. to IEC 61140
Panel Thickness s	Snap-in version 1.5/2/2.5 mm
Material: Housing	PA, UL 94V-0

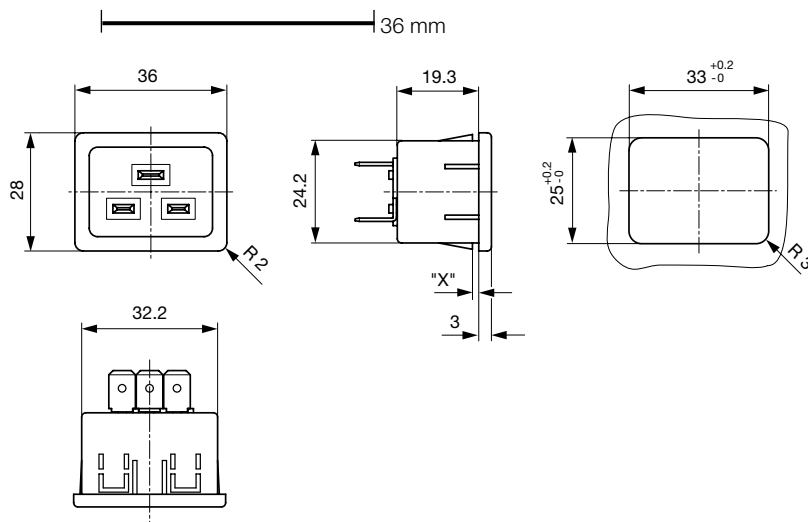
References

[General Product Information](#)

Weblinks

[Approvals](#), [RoHS](#), [CHINA-RoHS](#), [Mating Connectors](#), [Distributor-Stock-Check](#), [Accessories](#)

Appliance Inlet	C20 acc. to IEC/EN 60320-1 UL 498, CSA C22.2 no. 42 (for cold conditions) pin-temperature 70 °C, 16A, Protection Class 1
-----------------	---

Dimensions

Length of the terminal please find at the order code configuration table
Dimension "X" please ref. to table order code

Config. Code

Product Configurator

1624 - H - A B C 0 - D - E G


The characters are placeholders for the correspondingly keys of selections from the key tables.

1624 - H - A B C 0 - D - E G = Type

Type	Configuration key
protection class 1	X

1624 - H - A B C 0 - D - E G = Terminals

Terminal L	Configuration key
short solder terminal (L=4,8mm)	2
long solder terminal (L=8,5mm)	3
blade terminal (2,8x0,8mm)	7
blade terminal (4,8x0,8mm)	8
blade terminal (6,3x0,8mm)	9
screw terminal	A



1624 - H - A B C 0 - D - E G = Terminals

Terminal N	Configuration key
short solder terminal (L=4,8mm)	2
long solder terminal (L=8,5mm)	3
blade terminal (2,8x0,8mm)	7
blade terminal (4,8x0,8mm)	8
blade terminal (6,3x0,8mm)	9
screw terminal	A

Symbols similar as in table A

1624 - H - A B C 0 - D - E G = Terminals

Terminal Ground	Configuration key
short solder terminal (L=4,8mm)	2
long solder terminal (L=8,5mm)	3
blade terminal (2,8x0,8mm)	7
blade terminal (4,8x0,8mm)	8
blade terminal (6,3x0,8mm)	9
screw terminal	A

Symbols similar as in table A

1624 - H - A B C 0 - D - E G = Color

Color	Configuration key
jet black; RAL9005	A
silver grey; RAL7001	B
pure white; RAL9010	D

standard color: black

1624 - H - A B C 0 - D - E G = Style

Style	Configuration key
snap-in (x=panel thickness)	4

1624 - H - A B C 0 - D - E G = Dimension X

Dimension "X"	Configuration key
15	
20	
25	

The dimension "X" is displayed in ($\frac{1}{10}$ mm). This information is also valid for the order code

Variants

Type	Protection Class	Panel mounting	Panel Thickness s [mm]	Terminal	Order Number
1624	1	Snap-in version	-	-	6163.0010
1624	1	Snap-in version	-	-	6163.0011
1624	1	Snap-in version	-	-	6163.0012
1624	1	Snap-in version	-	-	6163.0013
1624	1	Snap-in version	-	-	6163.0014
1624	1	Snap-in version	-	-	mne

Variants

Config. Code	Description	Order Number
1624-X-2220-A-425	1624, IEC Appliance Inlet C20, 70°C, version: 1, L: short solder terminal (L=4,8mm), N: short solder terminal (L=4,8mm), ground: short solder terminal (L=4,8mm), color: jet black; RAL9005, design: snap-in (x=panel thickness), dimension X: 25	6163.0010
1624-X-2220-A-415	1624, IEC Appliance Inlet C20, 70°C, version: 1, L: short solder terminal (L=4,8mm), N: short solder terminal (L=4,8mm), ground: short solder terminal (L=4,8mm), color: jet black; RAL9005, design: snap-in (x=panel thickness), dimension X: 15	6163.0011
1624-X-3330-A-415	1624, IEC Appliance Inlet C20, 70°C, version: 1, L: long solder terminal (L=8,5mm), N: long solder terminal (L=8,5mm), ground: long solder terminal (L=8,5mm), color: jet black; RAL9005, design: snap-in (x=panel thickness), dimension X: 15	6163.0012
1624-X-9990-A-425	1624, IEC Appliance Inlet C20, 70°C, version: 1, L: blade terminal (6,3x0,8mm), N: blade terminal (6,3x0,8mm), ground: blade terminal (6,3x0,8mm), color: jet black; RAL9005, design: snap-in (x=panel thickness), dimension X: 25	6163.0013
1624-X-9990-A-415	1624, IEC Appliance Inlet C20, 70°C, version: 1, L: blade terminal (6,3x0,8mm), N: blade terminal (6,3x0,8mm), ground: blade terminal (6,3x0,8mm), color: jet black; RAL9005, design: snap-in (x=panel thickness), dimension X: 15	6163.0014
1624-X-2920-B-425	1624, IEC Appliance Inlet C20, 70°C, version: 1, L: short solder terminal (L=4,8mm), N: blade terminal (6,3x0,8mm), ground: short solder terminal (L=4,8mm), color: silver grey; RAL7001, design: snap-in (x=panel thickness), dimension X: 25	mne

The listed variants should be available from stock. Other versions on request www.schurter.com/contact

Packaging unit 50 Pcs

Mating Outlets/Connectors

Category / Description

[Connector Overview complete](#)

IEC Connector C19, Rewireable, Straight	0104
IEC Connector C19, Rewireable, Angled	1651
IEC Connector C19, Rewireable, Straight	1652
IEC Connector C19, Rewireable, Angled	4790
IEC Connector C19, Rewireable, Straight	4795

[Connector further types to 1624](#)

[Power Cord Overview complete](#)

Power Cord with IEC Connector C19, Straight	1654
---	------

[Power Cord further types to 1624](#)

[Power Supply or Interconnection Cord Overview complete](#)

Divers Power Supply and Interconnection Cords 10 A	4300.0920
Divers Power Supply and Interconnection Cords 16 A	6003.0395
Divers Power Supply and Interconnection Cords 16 A	6009.5195

[Power Supply or Interconnection Cord further types to 1624](#)

[Rewireable Connector for Cable, straight entry Overview complete](#)

IEC Connector C19, Rewireable, Straight	0921
---	------

[Rewireable Connector for Cable, straight entry further types to 1624](#)