

PLEASE CHECK WWW.MOLEX.COM FOR LATEST PART INFORMATION

Part Number: [0015045132](#)
Status: **Active**
Overview: [cgrid_sl_products](#)
Description: 2.54mm (.100") SL™ Interim Clip, 13 Circuits

Documents:

[3D Model](#) [Packaging Specification \(PDF\)](#)
[Drawing \(PDF\)](#) [RoHS Certificate of Compliance \(PDF\)](#)

Agency Certification

CSA	LR19980
TUV	R72081037
UL	E29179

General

Product Family	Accessories
Series	70004
Component Type	Clip
Overview	cgrid_sl_products
Product Name	SL™

Physical

Circuits (Loaded)	13
Color - Resin	Black
Flammability	94V-0
Lock to Mating Part	Yes
Material - Resin	Polyester
Number of Rows	1
Packaging Type	Bag

Material Info

Old Part Number	70004-0012
-----------------	------------

Reference - Drawing Numbers

Sales Drawing	SD-70004-0003-0057
---------------	--------------------



EU RoHS

**ELV and RoHS
Compliant**
REACH SVHC
 Not Reviewed
**Halogen-Free
Status**
 Not Reviewed

China RoHS



**Need more information on product
environmental compliance?**

Email productcompliance@molex.com
 For a multiple part number RoHS Certificate of
 Compliance, [click here](#)

Please visit the [Contact Us](#) section for any
 non-product compliance questions.

Search Parts in this Series

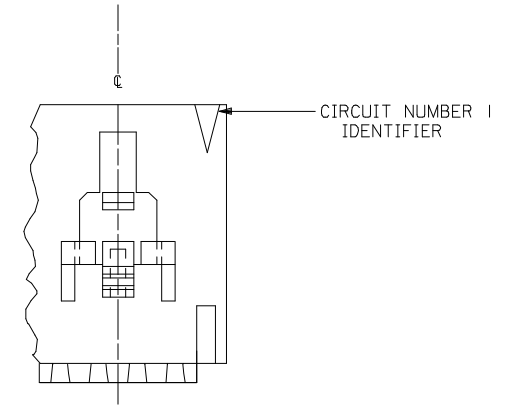
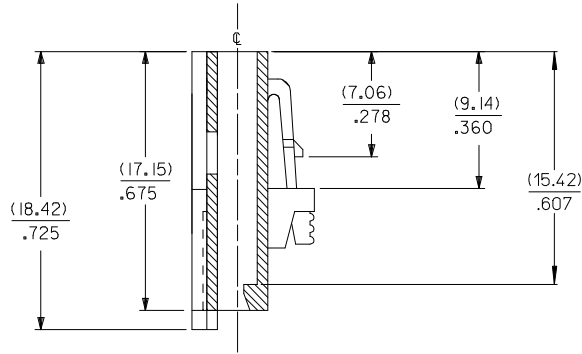
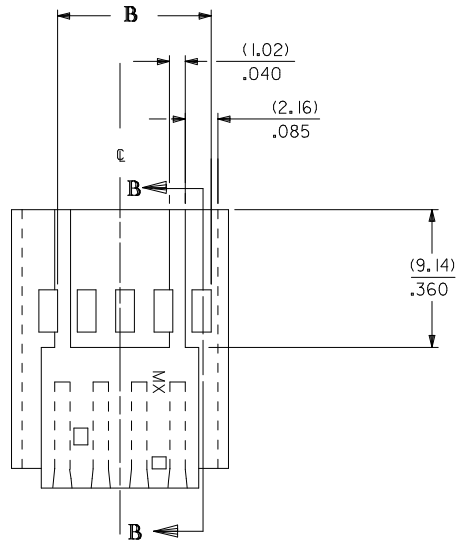
[70004Series](#)

Use With

[70066](#) SL™ Crimp Housing. [70058](#) SL™
 Crimp Terminal. [70400](#) C-Grid SL™ IDT
 Connector Assembly. [70430](#) C-Grid SL™

VERSION "A"

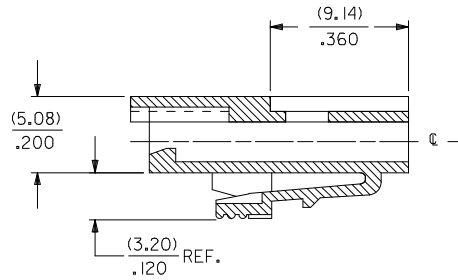
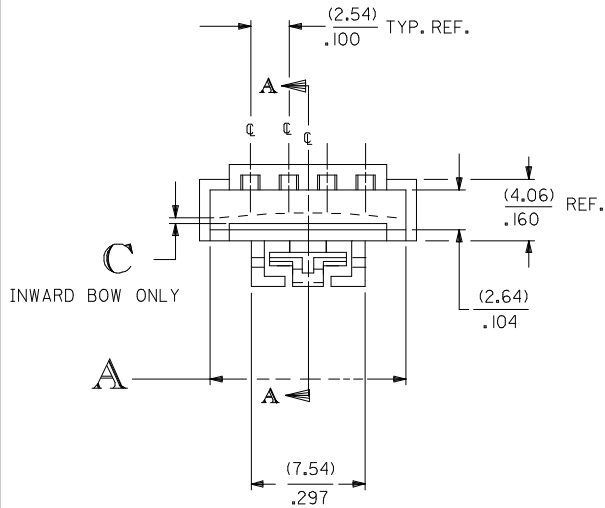
70004-0003-0024



SECTION B-B

NOTES:

1. MATERIAL:G.F. POLYESTER, COLOR: BLACK, 94V-0.
2. CIRCUIT SIZES LISTED ON CHART (SEE SHEET 3).
3. FIVE CIRCUIT SHOWN WITH LATCH.
4. USED WITH #70400 SERIES CONNECTORS (OPTION D).
5. PACKAGE PER PK-70004-100.



SECTION A-A

REMOVE VERSION "B" EC NO: UCP2008-1088 DRW:BSMART 2007/12/05 CHKD:JMORGAN 2007/12/07 APPR:SMILLER 2007/12/07	QUALITY SYMBOLS	GENERAL TOLERANCES (UNLESS SPECIFIED)		DIMENSION STYLE		SCALE	DESIGN UNITS	THIRD ANGLE PROJECTION	
	$\nabla=0$ $\nabla=0$	mm	INCH	MM/IN		INCH	INCH		
		4 PLACES ± --- ± ---	3 PLACES ± --- ± .010	DRAWN BY	DATE	TITLE			
		2 PLACES ± 0.25 ± .014	1 PLACE ± 0.36 ± ---	WJF	05/15/1986	SALES-INTERIM CLIP SINGLE ROW			
	ANGULAR ± 1/2°		CHECKED BY	DATE	MOLEX INCORPORATED				
	DRAFT WHERE APPLICABLE MUST REMAIN WITHIN DIMENSIONS		MG	05/15/1986	SD-70004-0003-0057				
			APPROVED BY	DATE	1 OF 2				
			RL	05/15/1986	THIS DRAWING CONTAINS INFORMATION THAT IS PROPRIETARY TO MOLEX INCORPORATED AND SHOULD NOT BE USED WITHOUT WRITTEN PERMISSION				
			MATERIAL NO.	DOCUMENT NO.					
			SEE TABLE						
			SIZE						

VERSION "A"

WITH LATCH

EDP NO.	ENG NO.	DIM A	DIM B	DIM C	CKT. SIZE
015-04-5042	70004-0003	(10.41) .410	(7.62) .300	(0.25) .010	4
015-04-5052	70004-0004	(12.95) .510	(10.16) .400	(0.33) .013	5
015-04-5062	70004-0005	(15.49) .610	(12.70) .500	(0.38) .015	6
015-04-5072	70004-0006	(18.03) .710	(15.24) .600	(0.46) .018	7
015-04-5082	70004-0007	(20.57) .810	(17.78) .700	(0.51) .020	8
015-04-5092	70004-0008	(23.11) .910	(20.32) .800	(0.58) .023	9
015-04-5102	70004-0009	(25.65) 1.010	(22.86) .900	(0.64) .025	10
015-04-5112	70004-0010	(28.19) 1.110	(25.40) 1.000	(0.71) .028	11
015-04-5122	70004-0011	(30.73) 1.210	(27.94) 1.100	(0.76) .030	12
015-04-5132	70004-0012	(33.27) 1.310	(30.48) 1.200	(0.84) .033	13
015-04-5142	70004-0013	(35.81) 1.410	(33.02) 1.300	(0.89) .035	14
015-04-5152	70004-0014	(38.35) 1.510	(35.56) 1.400	(0.96) .038	15
015-04-5162	70004-0015	(40.89) 1.610	(38.10) 1.500	(1.02) .040	16
015-04-5172	70004-0016	(43.43) 1.710	(40.64) 1.600	(1.09) .043	17
015-04-5182	70004-0017	(45.97) 1.810	(43.18) 1.700	(1.14) .045	18
015-04-5192	70004-0018	(48.51) 1.910	(45.72) 1.800	(1.22) .048	19
015-04-5202	70004-0019	(51.05) 2.010	(48.26) 1.900	(1.27) .050	20
015-04-5212	70004-0020	(53.59) 2.110	(50.80) 2.000	(1.35) .053	21
015-04-5222	70004-0021	(56.13) 2.210	(53.34) 2.100	(1.40) .055	22
015-04-5232	70004-0022	(58.67) 2.310	(55.88) 2.200	(1.47) .058	23
015-04-5242	70004-0023	(61.21) 2.410	(58.42) 2.300	(1.52) .060	24
015-04-5252	70004-0024	(63.73) 2.510	(60.96) 2.400	(1.60) .063	25

REMOVE VERSION "B"
EC NO: UCP2008-1088
DRW:BSMART 2007/12/05
CHKD:JORGAN 2007/12/07
APPR:SMILLER 2007/12/07

QUALITY SYMBOLS
▽=0
▽=0

GENERAL TOLERANCES (UNLESS SPECIFIED)

	mm	INCH
4 PLACES	± .010	± .0004
3 PLACES	± .015	± .0006
2 PLACES	± 0.25	± .010
1 PLACE	± 0.36	± .014

ANGULAR ±1/2°

DRAFT WHERE APPLICABLE
MUST REMAIN
WITHIN DIMENSIONS

DIMENSION STYLE
MM/IN

DRAWN BY	DATE
MJF	05/15/1986
CHECKED BY	DATE
MG	05/15/1986
APPROVED BY	DATE
RL	05/15/1986

MATERIAL NO.
SEE TABLE

SCALE
1:1

DESIGN UNITS
INCH

THIRD ANGLE PROJECTION

TITLE
SALES-INTERIM CLIP
SINGLE ROW

MOLEX MOLEX INCORPORATED

DOCUMENT NO.
SD-70004-0003-0057

SHEET NO.
2 OF 2

THIS DRAWING CONTAINS INFORMATION THAT IS PROPRIETARY TO MOLEX INCORPORATED AND SHOULD NOT BE USED WITHOUT WRITTEN PERMISSION