

PLEASE CHECK WWW.MOLEX.COM FOR LATEST PART INFORMATION

Part Number: [0436400400](#)
Status: **Active**
Overview: [microfit_30](#)
Description: 3.00mm (.118") Pitch Micro-Fit 3.0™ Plug Housing, Single Row, with Panel Mount Ears, 4 Circuits

Documents:

[3D Model](#) [Product Specification PS-43650 \(PDF\)](#)
[Drawing \(PDF\)](#) [RoHS Certificate of Compliance \(PDF\)](#)

Agency Certification

CSA LR19980
TUV R72081037
UL E29179

General

Product Family Crimp Housings
Series [43640](#)
Comments Glow Wire Equivalent Part Number [436400408](#) , [436400409](#)
Overview [microfit_30](#)
Product Literature Order No USA-106
Product Name Micro-Fit 3.0™

Physical

Circuits (maximum) 4
Color - Resin Black
Flammability 94V-0
Gender Male
Glow-Wire Compliant No
Keying to Mating Part None
Lock to Mating Part Yes
Material - Resin Polyester
Number of Rows 1
Packaging Type Bag
Panel Mount Yes
Pitch - Mating Interface (in) 0.118 In
Pitch - Mating Interface (mm) 3.00 mm
Polarized to Mating Part No
Stackable No
Temperature Range - Operating -40°C to +105°C

Electrical

Current - Maximum per Contact 5A

Material Info

Reference - Drawing Numbers

Product Specification PS-43650
Sales Drawing SD-43640-****

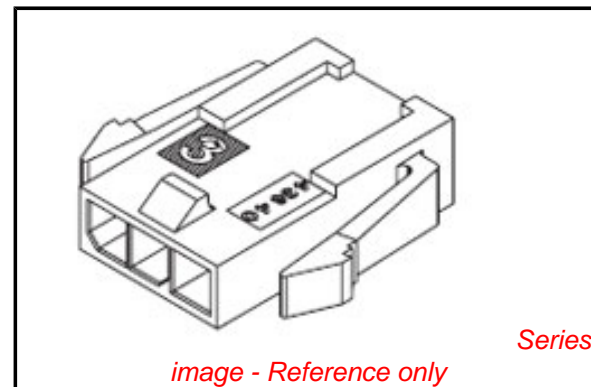


image - Reference only

EU RoHS

ELV and RoHS Compliant
REACH SVHC
Not Reviewed
Halogen-Free Status

China RoHS



Not Halogen-Free

Need more information on product environmental compliance?

Email productcompliance@molex.com
For a multiple part number RoHS Certificate of Compliance, [click here](#)

Please visit the [Contact Us](#) section for any non-product compliance questions.

Search Parts in this Series

[43640Series](#)

Mates With

Micro-Fit 3.0™ Receptacle Housing [43645](#)

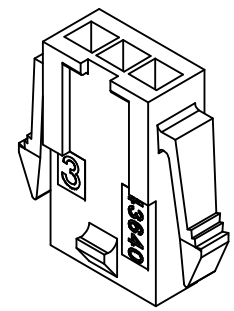
Use With

Micro-Fit 3.0™ Crimp Terminal [43031](#)

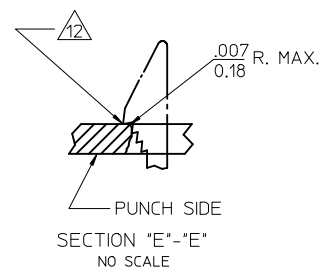
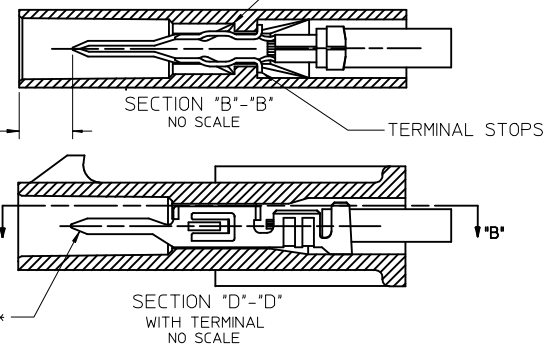
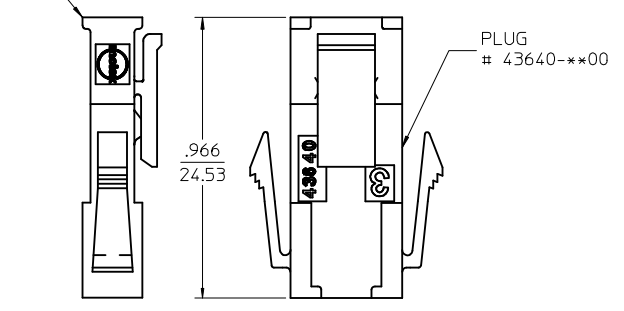
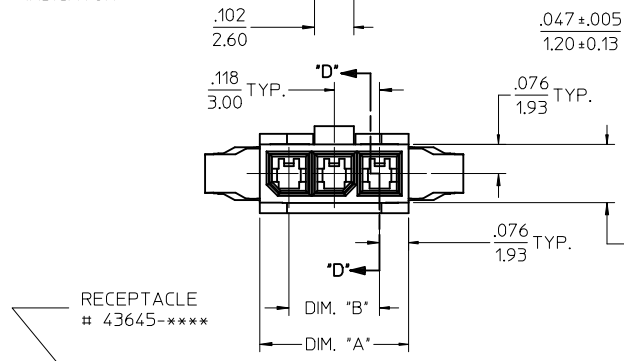
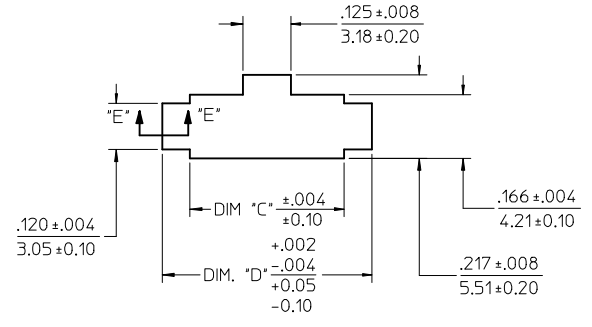
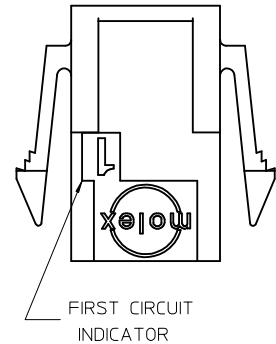
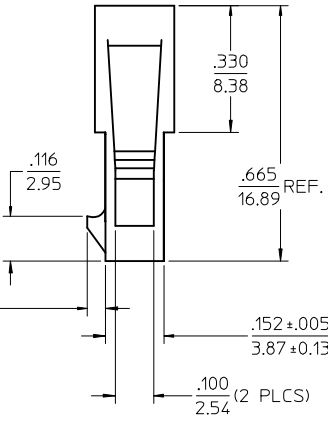
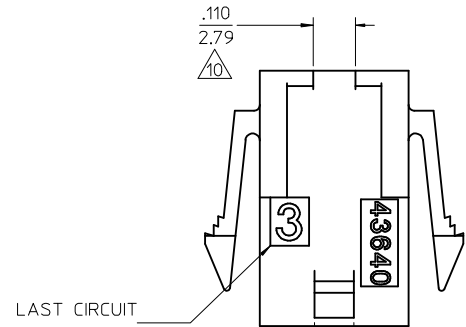
X-CONTACT FACTORY	ASSEMBLY ITEM NUMBER	PART CHARACTERISTICS
		NUMBER OF POSITION
	43640-0200	02
	43640-0300	03
	43640-0400	04
	43640-0500	05
I	43640-0600	06
X	43640-0700	07
X	43640-0800	08
X	43640-0900	09
X	43640-1000	10
X	43640-1100	11
H	43640-1200	12

CKT. NO.	DIM. "A"	DIM. "B"	DIM. "C"	DIM. "D"
2	.270/6.85	.118/3.00	.284/7.21	.429/10.90
3	.388/9.85	.236/6.00	.402/10.21	.547/13.89
4	.506/12.85	.354/9.00	.520/13.21	.665/16.89
5	.624/15.85	.472/12.00	.638/16.21	.783/19.89
6	.742/18.85	.591/15.00	.756/19.21	.901/22.89
7	.860/21.85	.709/18.00	.874/22.20	1.019/25.88
8	.978/24.85	.827/21.00	.992/25.20	1.137/28.88
9	1.096/27.85	.945/24.00	1.110/28.20	1.255/31.88
10	1.215/30.85	1.063/27.00	1.229/31.22	1.373/34.87
11	1.333/33.85	1.181/30.00	1.347/34.22	1.491/37.87
12	1.451/36.85	1.299/33.00	1.465/37.22	1.609/40.87

- NOTES:
- HOUSING MATERIAL: UNFILLED POLYESTER, RATED UL94V-0 COLOR IS BLACK
 - FINISH: NONE
 - PRODUCT SPECIFICATION: PS-43650
 - PACKAGING SPECIFICATION: NONE
 - THIS HOUSING MATES WITH MICRO-FIT RECEPTACLE #43645-****.
 - THIS HOUSING IS DESIGNED IN METRIC
 - THIS HOUSING TO BE USED WITH MOLEX MALE TERMINAL #43031-****.
 - PLUG DESIGNED FOR .062/1.57 TO .090/2.30 THICK STAMPED PANEL OR P.C.BOARD.
 - SEE SECTION "D"- "D" FOR TERMINAL ORIENTATION IN HOUSING.
 - THIS DIMENSION APPLIES TO PLUG CKT. SIZES 2 THRU 12 ONLY.
 - SEE SHEET 2 FOR PLUG WITHOUT PANEL MOUNTS.
 - PANEL MOUNT FEATURES MUST LOCK ON SIDE OPPOSITE PUNCH SIDE FOR OPTIMUM RETENTION.
 - THIS PART CONFORMS TO CLASS B REQUIREMENTS OF COSMETIC SPECIFICATION PS-45499-002.



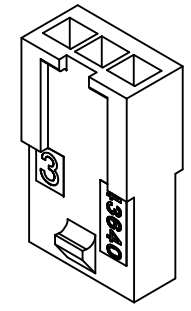
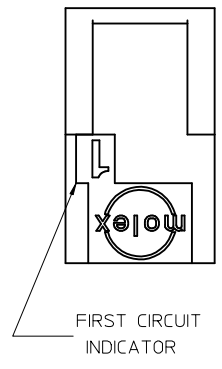
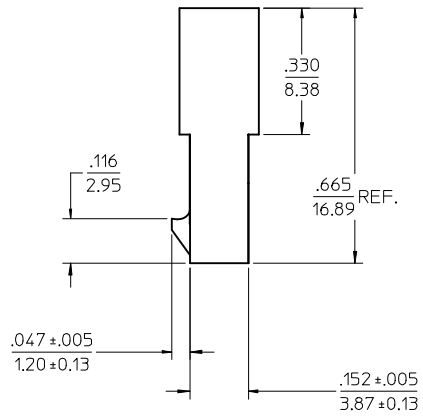
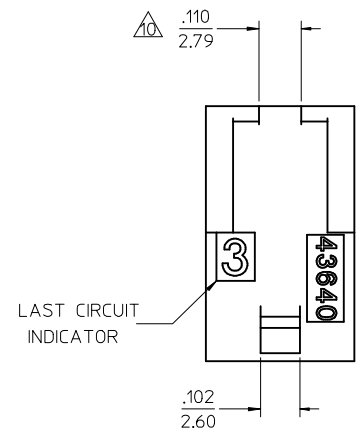
PLUG WITH PANEL MOUNTS



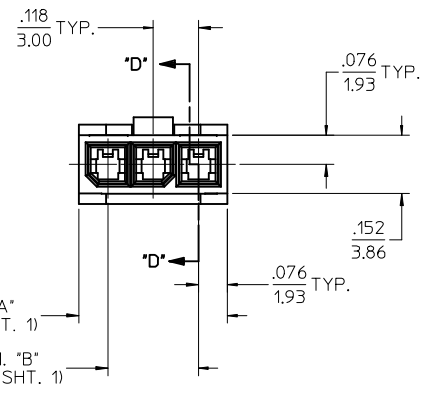
TERMINAL LOCKING TABS MUST BE FULLY SEATED TO HOUSING BEFORE MATING WITH OTHER HALF OF CONNECTOR SYSTEM.

UPDATED ISO VIEW EC NO: UCP2010-0138 DRWN:TBRENS 2009/07/22 CHKD:SSOUSEK 2009/07/22 APPR:FSMITH 2009/07/23	QUALITY SYMBOLS ▽=0 ▽=0	GENERAL TOLERANCES (UNLESS SPECIFIED) <table border="1"> <thead> <tr> <th></th> <th>mm</th> <th>INCH</th> </tr> </thead> <tbody> <tr> <td>4 PLACES</td> <td>± .010</td> <td>± .0004</td> </tr> <tr> <td>3 PLACES</td> <td>± .010</td> <td>± .0004</td> </tr> <tr> <td>2 PLACES</td> <td>± 0.25</td> <td>± .010</td> </tr> <tr> <td>1 PLACE</td> <td>± 0.35</td> <td>± .014</td> </tr> </tbody> </table> ANGULAR ± 5 °		mm	INCH	4 PLACES	± .010	± .0004	3 PLACES	± .010	± .0004	2 PLACES	± 0.25	± .010	1 PLACE	± 0.35	± .014	DIMENSION STYLE IN/MM	SCALE 4:1	DESIGN UNITS METRIC	THIRD ANGLE PROJECTION
				mm	INCH																
4 PLACES	± .010	± .0004																			
3 PLACES	± .010	± .0004																			
2 PLACES	± 0.25	± .010																			
1 PLACE	± 0.35	± .014																			
DRAWN BY AFG	DATE 1996/01/19	CHECKED BY BAP	DATE 1996/01/19	APPROVED BY RJF	DATE 1996/01/19	TITLE MICRO-FIT (3.0) IN-LINE 2 THRU 12 CIRCUIT PLUG W/ OPTIONAL PANEL MOUNTS															
MATERIAL NO. SEE CHART	DOCUMENT NO. SD-43640-****	SHEET NO. 1 OF 2	MOLEX INCORPORATED																		
DRAFT WHERE APPLICABLE MUST REMAIN WITHIN DIMENSIONS																					
THIS DRAWING CONTAINS INFORMATION THAT IS PROPRIETARY TO MOLEX INCORPORATED AND SHOULD NOT BE USED WITHOUT WRITTEN PERMISSION																					

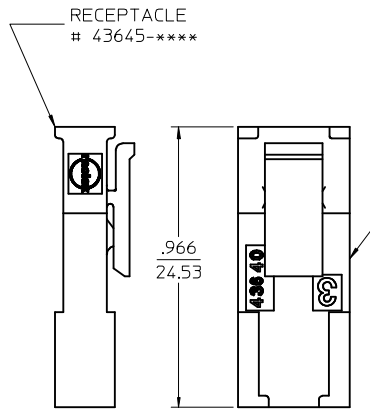
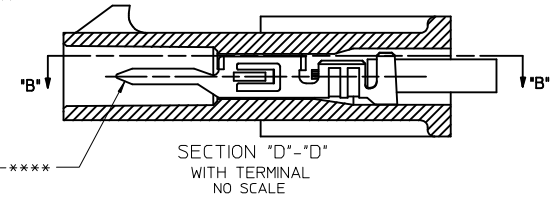
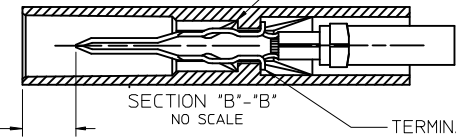
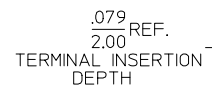
X-CONTACT FACTORY	ASSEMBLY ITEM NUMBER	PART CHARACTERISTICS NUMBER OF POSITION
	43640-0201	02
	43640-0301	03
	43640-0401	04
	43640-0501	05
	43640-0601	06
X	43640-0701	07
X	43640-0801	08
X	43640-0901	09
X	43640-1001	10
X	43640-1101	11
X	43640-1201	12



PLUG WITHOUT PANEL MOUNTS



TERMINAL LOCKING TABS MUST BE FULLY SEATED TO HOUSING BEFORE MATING WITH OTHER HALF OF CONNECTOR SYSTEM.



MATED MICRO-FIT CONNECTOR

UPDATED ISO VIEW EC NO: UCP2010-0138 DRAWN: RBENES 2009/07/22 CHKD: SSOUSEK 2009/07/22 APPR: FSMITH 2009/07/23	QUALITY SYMBOLS	GENERAL TOLERANCES (UNLESS SPECIFIED)		DIMENSION STYLE IN/MM		SCALE 4:1	DESIGN UNITS METRIC	THIRD ANGLE PROJECTION	
	▽=0	mm	INCH	DRAWN BY AFG	DATE 1996/01/19	MICRO-FIT (3.0) IN-LINE 2 THRU 12 CIRCUIT PLUG W/ OPTIONAL PANEL MOUNTS			
	▽=0	4 PLACES ± .010	± .010	CHECKED BY BAP	DATE 1996/01/19				
	▽=0	3 PLACES ± .010	± .010	APPROVED BY RJF		DATE 1996/01/19	MOLEX INCORPORATED		SHEET NO. 2 OF 2
▽=0	2 PLACES ± 0.25	± .014	MATERIAL NO. SEE CHART		DOCUMENT NO. SD-43640-****				
▽=0	1 PLACE ± 0.35	± .014	DRAFT WHERE APPLICABLE MUST REMAIN WITHIN DIMENSIONS		THIS DRAWING CONTAINS INFORMATION THAT IS PROPRIETARY TO MOLEX INCORPORATED AND SHOULD NOT BE USED WITHOUT WRITTEN PERMISSION				
ANGULAR ± 5 °									