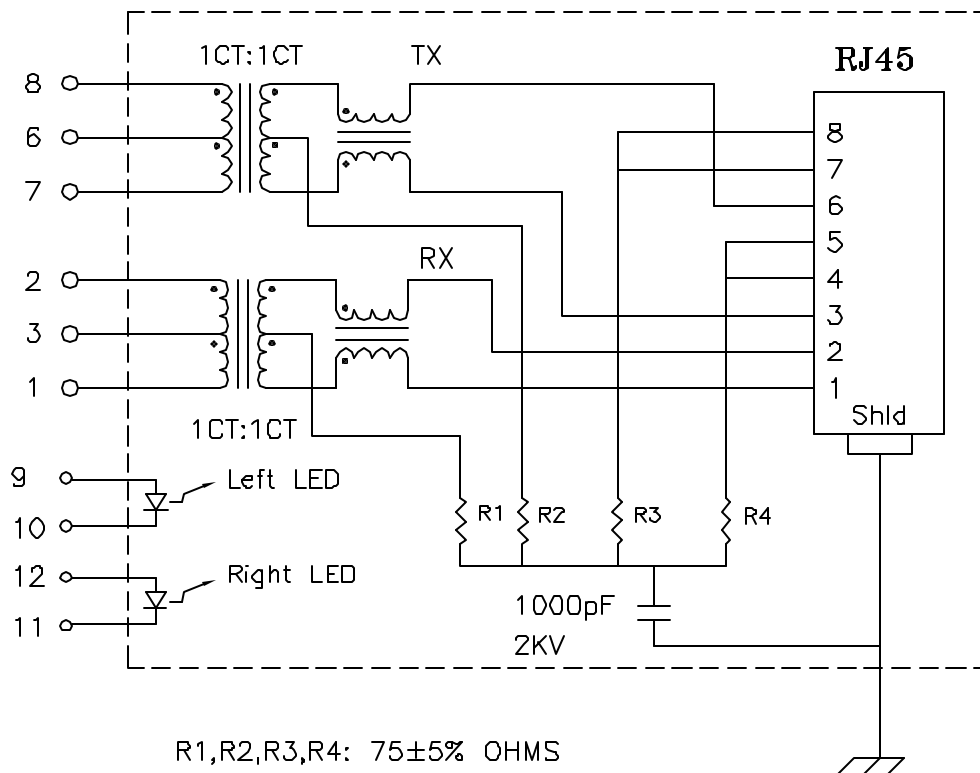


**Schematic:**



R1,R2,R3,R4: 75±5% OHMS

**Electrical Specifications: @25°C**

- Isolation Voltage: 1500 Vrms (Input to Output)
- Isolation Voltage: 500 Vrms (P1+2+3 to P6+7+8)
- Turns Ratio: TX 1CT:1CT ±3% RX 1CT:1CT ±3%
- CABLE SIDE OCL: 350uH Minimum @100KHz 100mV 8mADC
- Insertion Loss (300KHz-100MHz): -1.0dB Maximum
- Return Loss: @30MHz -20dB Minimum
- @80MHz -15dB Typ

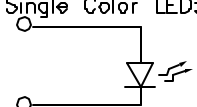
Complete the Combo P/N as follows:

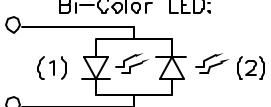
Replace 'x' & 'u' in the part number with one of the LED color letters:

Y=Yellow  
G=Green  
A=Amber  
R=Red

'x' = Left LED Color  
'u' = Right LED Color

C=Green(1)/Amber(2) Bicolor  
D=Amber(1)/Green(2) Bicolor  
M=Green(1)/Yellow(2) Bicolor  
N=Yellow(1)/Green(2) Bicolor  
P=Red(1)/Green(2) Bicolor  
Q=Green(1)/Red(2) Bicolor  
E=Red(1)/Yellow(2) Bicolor  
F=Yellow(1)/Red(2) Bicolor  
H=Amber(1)/Yellow(2) Bicolor  
J=Green(1)/Green(2) Bicolor

Single Color LED: 

Bi-Color LED: 

**Notes:**

1. Solderability: Leads shall meet MIL-STD-202G, Method 208H for solderability.
2. Flammability: UL94V-0
3. ASTM oxygen index: > 28%
4. Insulation System: Class F 155°C. UL file E151556
5. Operating Temperature Range: All listed parameters are to be within tolerance from -40°C to +85°C
6. Storage Temperature Range: -55°C to +125°C
7. Aqueous wash compatible
8. Electrical and mechanical specifications 100% tested
9. RoHS Compliant Component

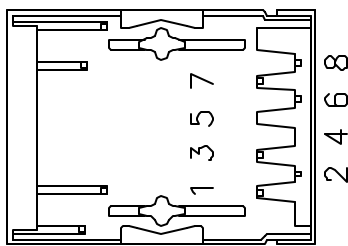
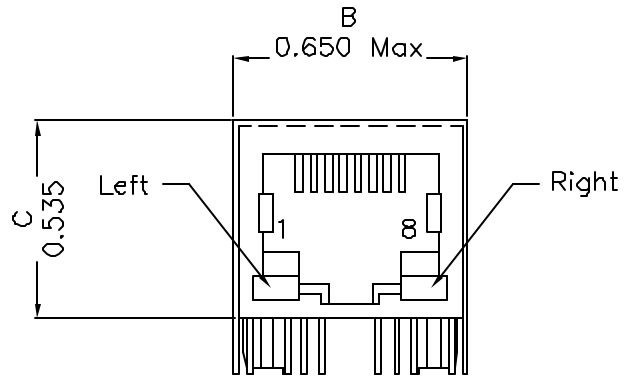
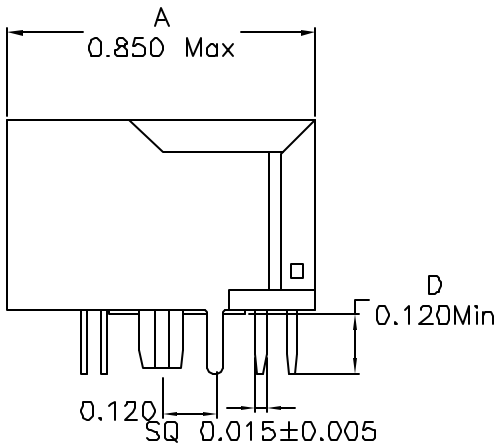
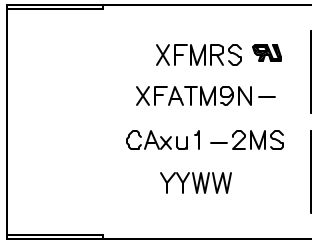
DOC. REV: B/7

<b>XFMRs Inc.</b> www.XFMRs.com	Title: <b>SINGLE PORT COMBO</b>		
	UNLESS OTHERWISE SPECIFIED TOLERANCES: .xxx ±0.010		P/N: XFATM9N-CAXu1-2MS
Dimensions in Inch	DWN.	Juan Mao	Jan-04-08
	CHK.	YK Liao	Jan-04-08
SHEET 1 OF 2	APP.	BW	Jan-04-08

**PROPRIETARY:**

Document is the property of XFMRs Group & is not allowed to be duplicated without authorization.

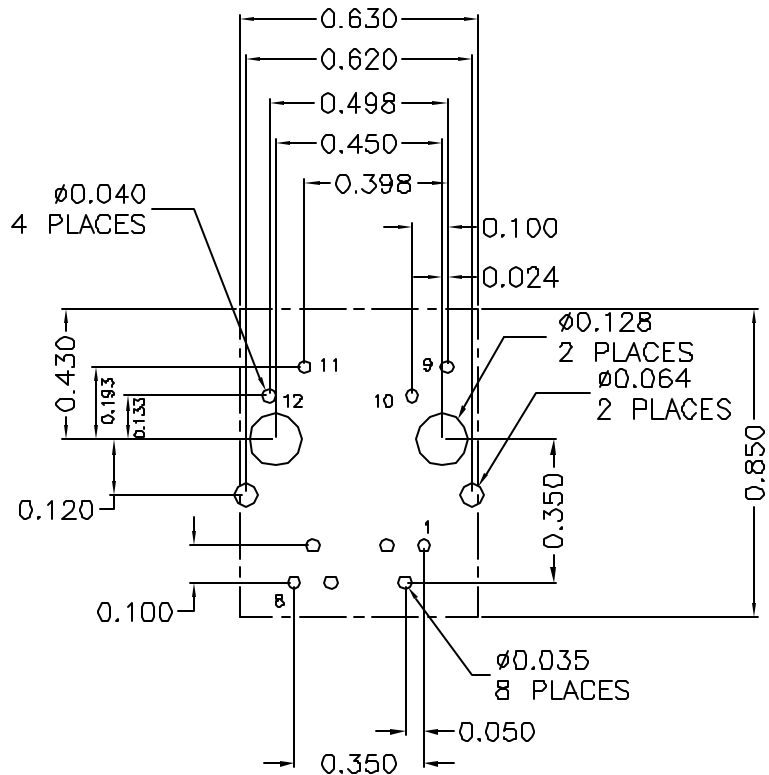
**Mechanical Dimensions:**



(BOTTOM VIEW)

**Mounting Pattern:**

(COMP SIDE)



\*Remove Pins 4&5

DOC. REV: B/7

<b>XFMR5 Inc.</b>		Title: Mechanical Dimensions	
www.XFMR5.com		For CAxu1-2MS Series	
UNLESS OTHERWISE SPECIFIED	P/N: XFATM9N-CAxu1-2MS	REV. B	
TOLERANCES:	DWN.	Juan Mao	Jan-04-08
.xxx ±0.010	CHK.	YK Liao	Jan-04-08
Dimensions in Inch	APP.	BW	Jan-04-08
SHEET 2 OF 2			

**PROPRIETARY:**

Document is the property of XFMR5 Group & is not allowed to be duplicated without authorization.