

PLEASE CHECK WWW.MOLEX.COM FOR LATEST PART INFORMATION

Part Number: [0365150015](#)
Status: **Active**
Overview: [din_41612](#)
Description: 2.54mm (.100") Pitch DIN 41612 R Style Male Header with Wire-Wrap, Vertical, Through Hole Press-Fit, 0.30µm (12µ") Selective Gold (Au) Plating, 96 Circuits, without Mounting Clips, First-Mate-Last-Break at 1,32a;1,32b;1,32c

Documents:

[Drawing \(PDF\)](#) [RoHS Certificate of Compliance \(PDF\)](#)
[Product Specification PS-36515-001 \(PDF\)](#)

General

Product Family	Backplane Connectors
Series	36515
Application	Backplane
Comments	No Mounting Clips, Secured with Tubular Rivets/ Cheesehead Screws. First-Mate-Last-Break Positions at:1,32a;1,32b;1,32c
Component Type	PCB Header
Overview	din_41612
Product Name	IEC 603-2/DIN 41612
Style	R

Physical

Circuits (Loaded)	96
Circuits (maximum)	96
Circuits Detail	1,2,3,...32; a+b+c
Color - Resin	Gray
Durability (mating cycles max)	50
First Mate / Last Break	Yes
Guide to Mating Part	No
Keying to Mating Part	Yes
Material - Metal	Phosphor Bronze
Material - Plating Mating	Gold
Material - Plating Termination	Nickel
Material - Resin	Polyester
Number of Columns	32
Number of Pairs	Open Pin Field
Number of Rows	3
Orientation	Vertical
PC Tail Length (in)	0.522 In
PC Tail Length (mm)	13.25 mm
PCB Locator	No
PCB Retention	Yes
PCB Thickness Recommended (in)	0.063 In
PCB Thickness Recommended (mm)	1.60 mm
Packaging Type	Carton
Pitch - Mating Interface (in)	0.100 In
Pitch - Mating Interface (mm)	2.54 mm
Pitch - Term. Interface (in)	0.100 In
Pitch - Term. Interface (mm)	2.54 mm
Plating min: Mating (µin)	12
Plating min: Mating (µm)	0.30
Plating min: Termination (µin)	98
Plating min: Termination (µm)	2.5
Polarized to PCB	No

EU RoHS **China RoHS**

Compliance Status

Not Reviewed

REACH SVHC

Not Reviewed

Halogen-Free

Status

Not Reviewed

Need more information on product environmental compliance?

Email productcompliance@molex.com
 For a multiple part number RoHS Certificate of Compliance, [click here](#)

Please visit the [Contact Us](#) section for any non-product compliance questions.

Search Parts in this Series

[36515Series](#)

Stackable	No
Surface Mount Compatible (SMC)	No
Temperature Range - Operating	-55°C to +125°C
Termination Interface: Style	Through Hole - Compliant Pin, Wire Wrap

Electrical

Current - Maximum per Contact	1A
Data Rate	622.0 Mbps
Voltage - Maximum	250V AC (RMS)

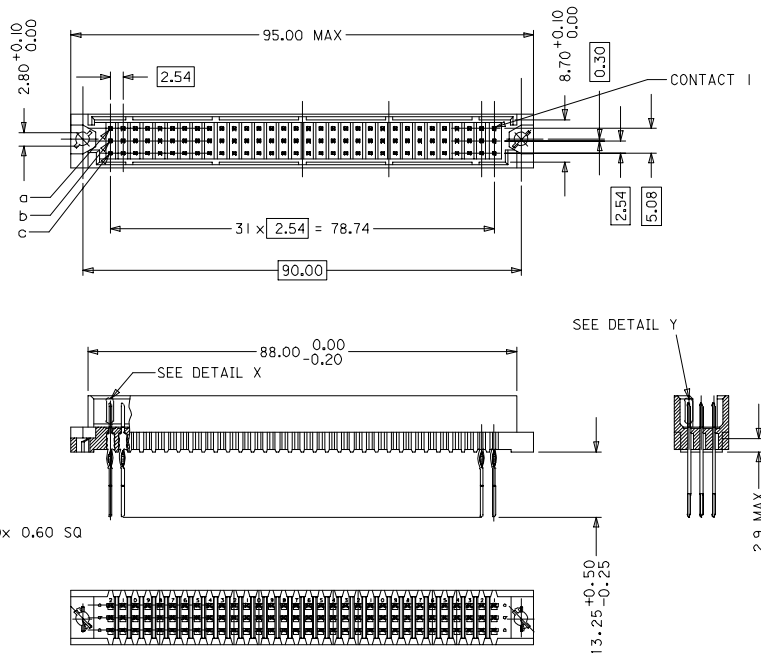
Material Info

Reference - Drawing Numbers

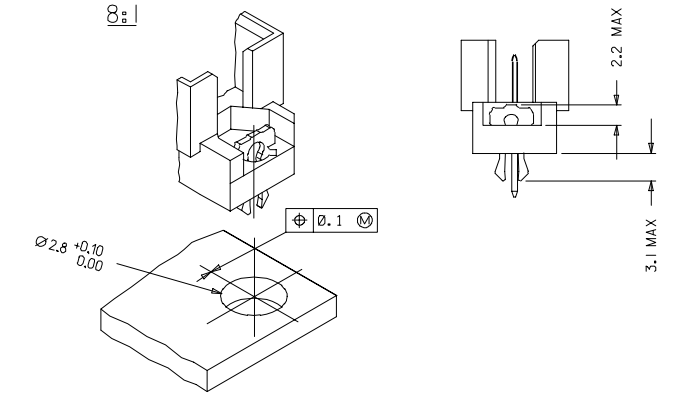
Product Specification	PS-36515-001
Sales Drawing	SD-36515-001

This document was generated on 05/21/2010

PLEASE CHECK WWW.MOLEX.COM FOR LATEST PART INFORMATION

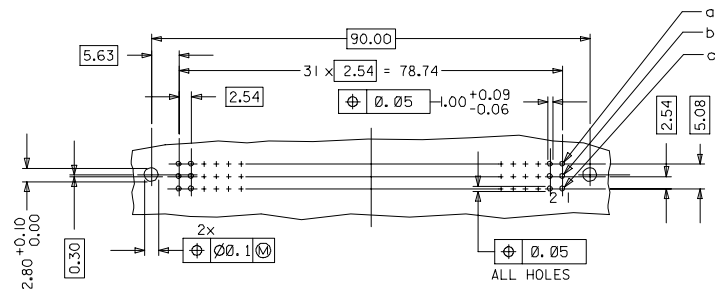


WITH MOUNTING CLIPS



- NOTES:
- MATERIALS: THERMOPLASTIC POLYESTER, GLASS FILLED, UL94V-0. COLOUR: PEBBLE GREY RAL 7032
 TERMINAL - PHOSPHOR BRONZE
 MOUNTING CLIP: STEEL
 - FINISH: TERMINAL:-
 CONTACT AREA
 1. PERFORMANCE LEVEL 1: SELECTIVE GOLD (Au), THICKNESS = 1.1 MICROMETER OVER NICKEL, THICKNESS = 1.25 MICROMETER
 2. PERFORMANCE LEVEL 2: SELECTIVE GOLD (Au), THICKNESS = 0.6 MICROMETER OVER NICKEL, THICKNESS = 1.25 MICROMETER
 3. PERFORMANCE LEVEL 3: SELECTIVE GOLD (Au), THICKNESS = 0.3 MICROMETER OVER NICKEL, THICKNESS = 1.25 MICROMETER
 PRESS-IN AND WIRE WRAP AREA :
 SELECTIVE TIN, THICKNESS = 2.5 MICROMETER OVER NICKEL, THICKNESS = 1.25 MICROMETER OVERALL
 - MOUNTING CLIP:-
 TIN (Sn), THICKNESS = 5-10 MICROMETER, OVER NICKEL (Ni), THICKNESS = 2.5 MICROMETER
 - FOR NON MOUNTING CLIP OPTION, CONNECTOR TO BE SECURED WITH RIVETS: 2 TUBULAR RIVETS 2.5 x 0.3 ... DIN 7340
 SCREWS: 2 CHEESEHEAD SCREWS M2.5 x ... DIN 84 AND 2 HEXAGONAL NUTS M2.5 DIN 934
 - MATERIAL NUMBER, BATCH CODE, UL AND CSA MARKING TO BE PRINTED ON THE CONNECTOR
 - CUT FACE OF TIP WITHOUT PLATING PERMITTED
 - PRODUCT SPECIFICATION PS-36515-001

RECOMMENDED PCB LAYOUT
 COMPONENT SIDE

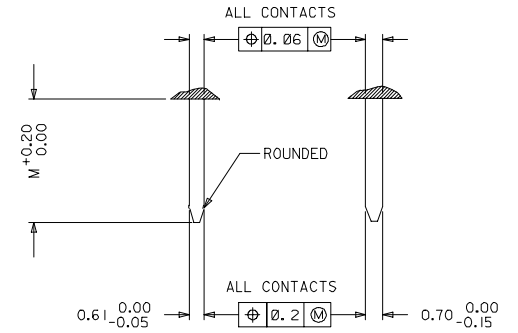


RoHS COMPLIANT

EC NO: 12007-0044 DRWKSATITHARAD 2006/10/10 CHKDSSUDHIR 2006/10/11 APPRSSUDHIR 2006/10/19	QUALITY SYMBOLS ▽=0 ▽=0	GENERAL TOLERANCES (UNLESS SPECIFIED)		DIMENSION STYLE MM ONLY		SCALE 2:1	DESIGN UNITS METRIC	THIRD ANGLE PROJECTION		
		4 PLACES ± --- ± --- 3 PLACES ± 0.05 ± --- 2 PLACES ± 0.1 ± --- 1 PLACE ± 0.15 ± ---		DRAWN BY DATE SS 1999/09/24		FILE		ASSEMBLY, DIN 41612 R MALE, 96 POS, PRESS-IN WITH WIRE WRAP		
		ANGULAR ± 2 °		CHECKED BY DATE GJLOWE 1999/09/24		APPROVED BY DATE GJLOWE 1999/09/24		MOLEX INCORPORATED		
		DRAFT WHERE APPLICABLE MUST REMAIN WITHIN DIMENSIONS		SEE CHART		MATERIAL NO.		DOCUMENT NO. SD-36515-001		SHEET NO. 1 OF 2

MATERIAL No.	MOLEX ENG No.	PERF LEVEL	PLATING	CONTACT SEQUENCE/ROW	DIM "L" MM	MOUNTING CLIP	FMLB
36515-0001	MM-B1460-R960	1	Au + Ni	1,2,3...32 a+b+c	13.25	NO	NO
36515-0002	MM-B1560-R960	2	Au + Ni	1,2,3...32 a+b+c	13.25	NO	NO
36515-0003	MM-B1660-R960	3	Au + Ni	1,2,3...32 a+b+c	13.25	NO	NO
36515-0007	MM-B1460-R910	1	Au + Ni	1,2,3...32 a+b+c	13.25	YES	NO
36515-0008	MM-B1560-R910	2	Au + Ni	1,2,3...32 a+b+c	13.25	YES	NO
36515-0009	MM-B1660-R910	3	Au + Ni	1,2,3...32 a+b+c	13.25	YES	NO
36515-0013	MM-B1460-R930	1	Au + Ni	1,2,3...32 a+b+c	13.25	NO	1,32a 1,32b 1,32c
36515-0014	MM-B1560-R930	2	Au + Ni	1,2,3...32 a+b+c	13.25	NO	1,32a 1,32b 1,32c
36515-0015	MM-B1660-R930	3	Au + Ni	1,2,3...32 a+b+c	13.25	NO	1,32a 1,32b 1,32c
36515-0019	MM-B1460-R950	1	Au + Ni	1,2,3...32 a+b+c	13.25	YES	1,32a 1,32b 1,32c
36515-0020	MM-B1560-R950	2	Au + Ni	1,2,3...32 a+b+c	13.25	YES	1,32a 1,32b 1,32c
36515-0021	MM-B1660-R950	3	Au + Ni	1,2,3...32 a+b+c	13.25	YES	1,32a 1,32b 1,32c

DETAILY DETAILX



PRE MATING CONTACTS	5.4
NORMAL CONTACTS	4.8
	M

RoHS COMPLIANT

EC No: 2007-0044 DRAWING APPROVED 2006/10/10 CHECKED BY APPRESSOR 2006/10/11 APPROVED BY APPRESSOR 2006/10/15	QUALITY SYMBOLS	GENERAL TOLERANCES (UNLESS SPECIFIED)	DIMENSION STYLE	SCALE	DESIGN UNITS	THIRD ANGLE PROJECTION
	▽=0 ▽=0	mm INCH 4 PLACES ± 0.005 ± 0.0005 3 PLACES ± 0.005 ± 0.0005 2 PLACES ± 0.1 ± 0.005 1 PLACE ± 0.15 ± 0.005 ANGULAR ± 2°	MM ONLY	2:1	METRIC	ASSEMBLY, DIN 41612 R MALE, 96 POS. PRESS-IN WITH WIRE WRAP
	DRAFT WHERE APPLICABLE MUST REMAIN WITHIN DIMENSIONS		DRAWN BY SS 1999/09/24 CHECKED BY GJLOWE 1999/09/24 APPROVED BY GJLOWE 1999/09/24		MOLEX INCORPORATED MATERIAL NO. SD-36515-001 DOCUMENT NO. SD-36515-001	SHEET NO. 2 OF 2