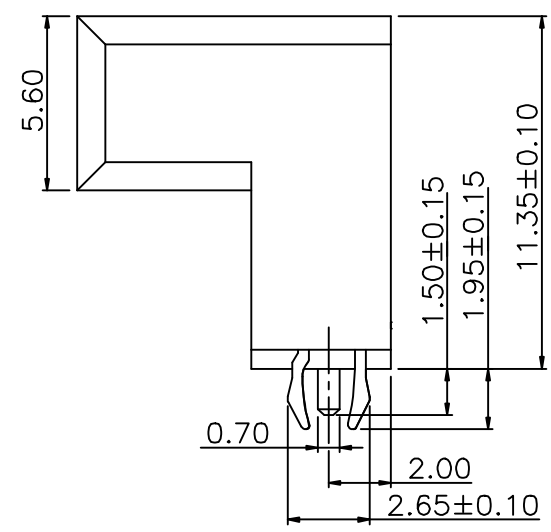
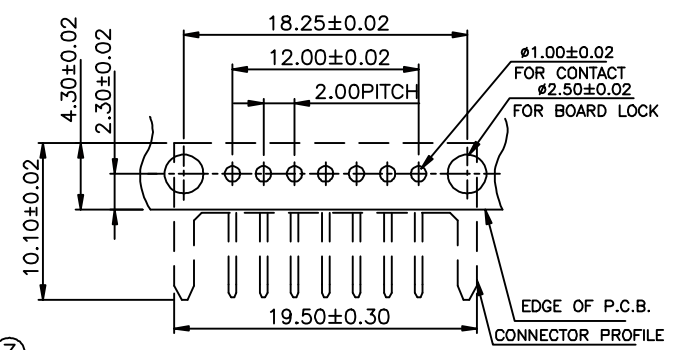
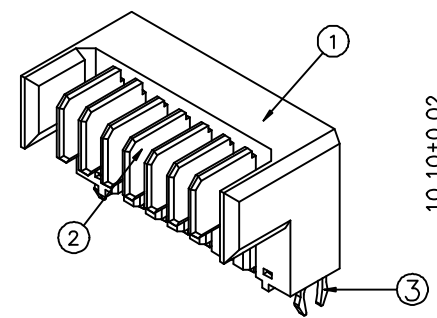
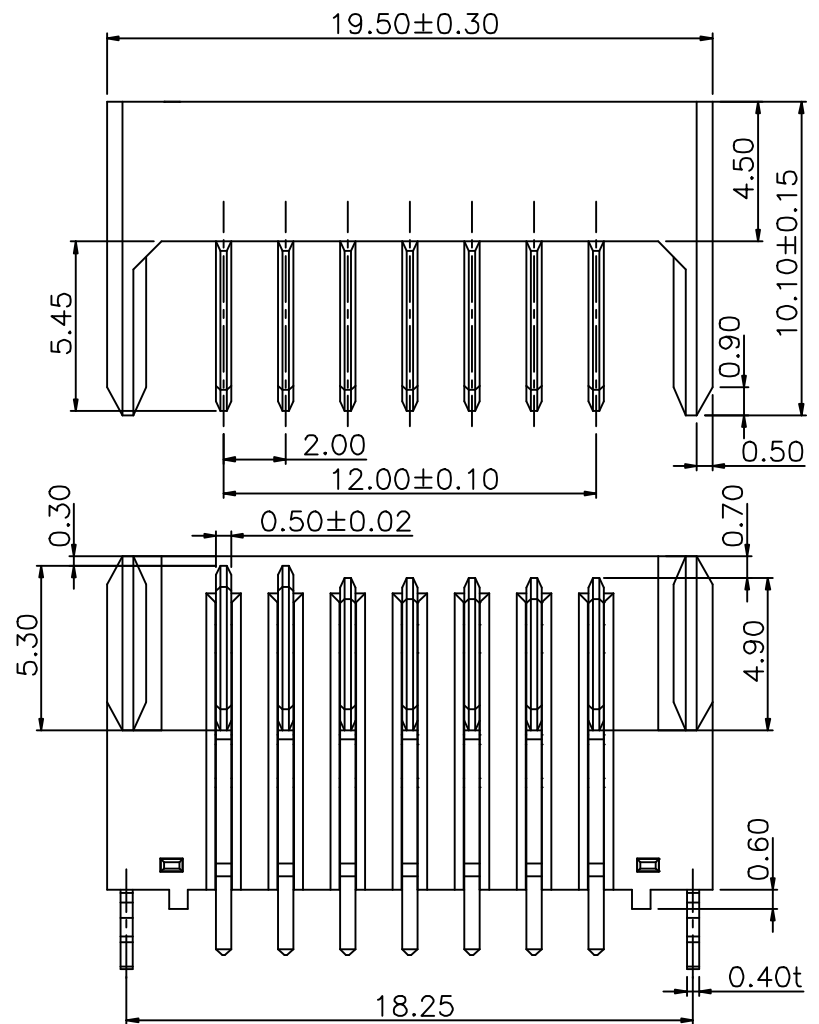




RoHS Compliant
2002/95/EC
HSF

Level-1 Controlled Substances are banned

RECOMMENDED P.C.B LAYOUT (COMPONENT SIDE)
P.C.B THICKNESS=1.20mm
WITH LOCKING FUNCTION



NO.	DESCRIPTION	MATERIAL	COLOR	REMARK
3	FORK	COPPER ALLOY		TIN PLATED
2	TERMINAL	COPPER ALLOY		GOLD PLATED
1	PLASTICS	HIGH TEMP PLASTICS	BLACK	UL94V-0

SUYIN
CONNECTOR

CUSTOMER COPY	TITLE: 2.00mm PITCH BATTERY CONN.		
PART NO.	200275MR007G10UZL		
PRODUCT SPEC.	200275MR/20175A		
FILE NAME.	CING	200275MR007G10UZL-C	
SCALE	4:1	UNIT:mm	A4 SHEET: 1 of 2

ECN(DCN) NO.	REV	DATE	DESCRIPTION	CHANGE	APPRO.	GENERAL TOLERANCE UNLESS OTHERWISE NOTED	APPRO.	DATE
						Angle ±2'	DRAW	王 鵬
						30 ~ ±0.50	DESIGN	王 鵬
	0	08'/06/13	NEW RELEASE	王 鵬 張裕奇		10 ~ 30 ±0.30	CHECK	程夢麗
	PO	07'/10/20	NEW	邵文浩 許俊賢		~ 10 ±0.15	APPRO.	張裕奇
								08'/06/13

Original: Draw: 邵文浩 Design: 邵文浩 Check: 楊國輝 Appro: 許俊賢 發行日期: 07'/10/20

071020-BC021