

PLEASE CHECK WWW.MOLEX.COM FOR LATEST PART INFORMATION

Part Number: [0520041710](#)
Status: **Active**
Description: 1.50mm (.059") Pitch Wire Trap, Push-Cover Style, Vertical, 17 Circuits

Documents:

[Drawing \(PDF\)](#) [RoHS Certificate of Compliance \(PDF\)](#)
[Product Specification PS-52004-001 \(PDF\)](#)

General

Product Family	Ribbon Cable / Wire Trap Connectors
Series	52004
Comments	Push-Cover
Component Type	One Piece
Glow-Wire Compliant	No
Product Name	Board-In, Wire Trap

Physical

Circuits (Loaded)	17
Entry Angle	Vertical
Lock to Mating Part	None
Number of Rows	1
PCB Retention	Yes
PCB Thickness Recommended (in)	0.062 In
PCB Thickness Recommended (mm)	1.60 mm
Packaging Type	Tray
Pitch - Mating Interface (in)	0.059 In
Pitch - Mating Interface (mm)	1.50 mm
Polarized to Mating Part	N/A
Polarized to PCB	Yes
Stackable	No
Surface Mount Compatible (SMC)	No
Temperature Range - Operating	-40°C to +105°C
Wire Insulation Diameter	1.50mm (.059") max.
Wire Size AWG	24, 26
Wire/Cable Type	Ribbon Cable

Electrical

Current - Maximum per Contact	2.5A
Voltage - Maximum	150V

Material Info

Reference - Drawing Numbers

Product Specification	PS-52004-001
Sales Drawing	SD-52004-**10

EU RoHS

**ELV and RoHS
Compliant**

REACH SVHC

Contains SVHC: No

Halogen-Free

Status

Not Reviewed

China RoHS



**Need more information on product
environmental compliance?**

Email productcompliance@molex.com
For a multiple part number RoHS Certificate of
Compliance, [click here](#)

Please visit the [Contact Us](#) section for any
non-product compliance questions.

Search Parts in this Series

52004Series

Mates With

N/A

Use With

Topcoated ribbon cable

FOR 3~12CKTS.

FOR 13~17CKTS.

(ONLY COVER SHAPE IS DIFFERENT FROM 3~12CKTS.)

NOTES: 1. MATERIAL

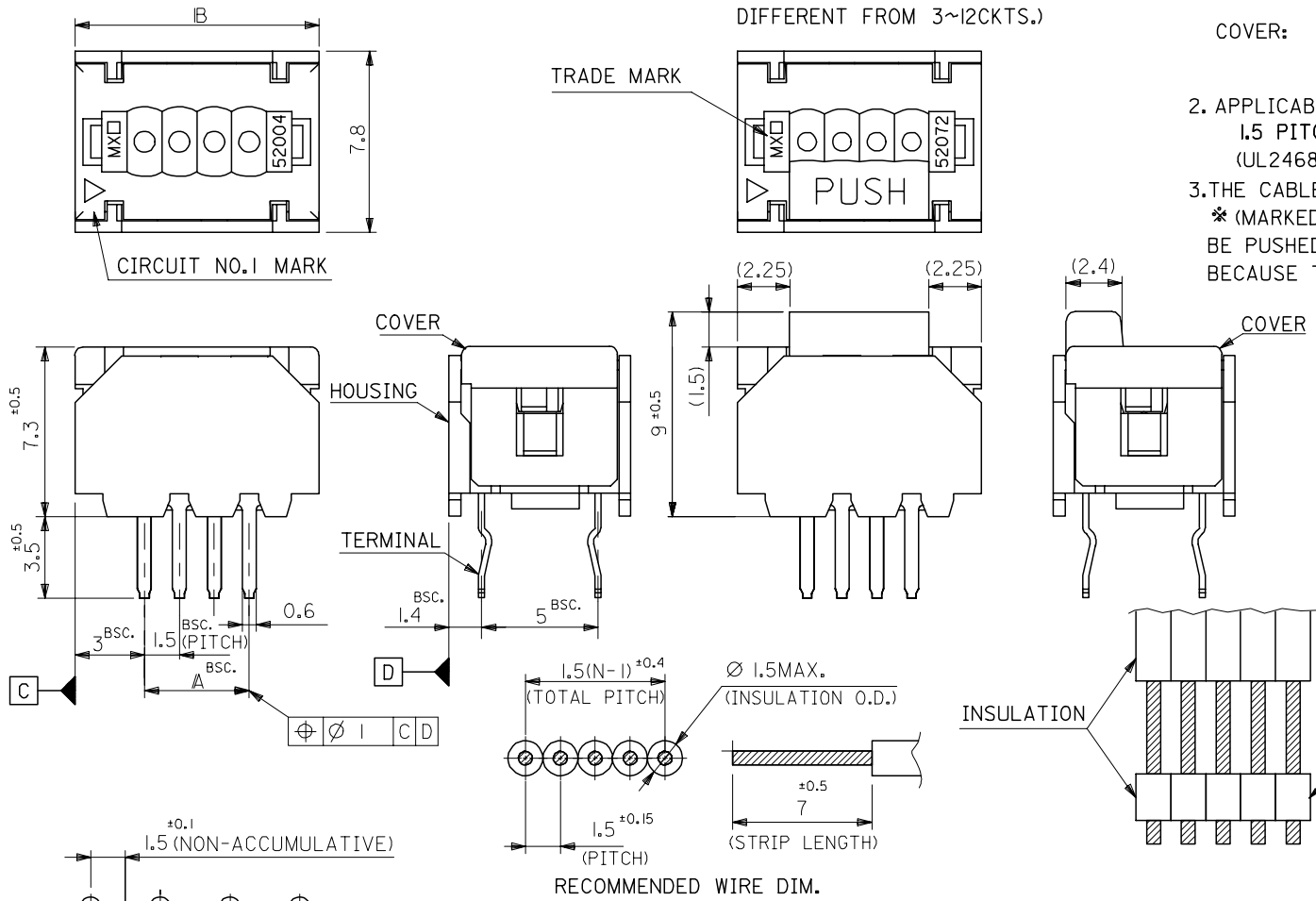
TERMINAL: PHOS-BRO, TIN-PLATED. (t=0.254)
 HOUSING: PBT(15%G.F.), UL94V-0
 G.E. PLASTICS JAPAN LTD.
 VALOX DR-48 UL FILE NO. E45587
 COVER: PBT(30%G.F.), UL94V-0
 G.E. PLASTICS JAPAN LTD.
 VALOX 420-SEO UL FILE NO. E45587

2. APPLICABLE WIRE

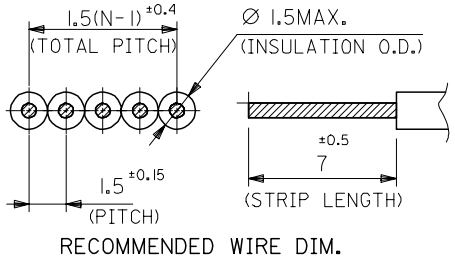
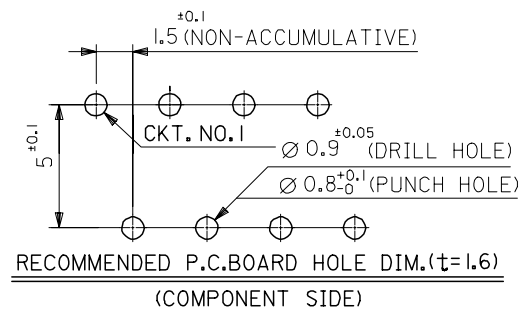
1.5 PITCH RIBBON CABLE
 (UL2468, AWG#24~#26 TOP-COATED WIRE)

3. THE CABLE STRIPED AS SHOWN IN THE FIG.,

* (MARKED INSULATION) PART SHOULD NOT BE PUSHED AND SLID DIRECTLY BY THE COVER, BECAUSE THE COVER MAY BE POSSIBLY PUSHED DOWN.



30	24	52004-1710	17
28.5	22.5	-1610	16
27	21	-1510	15
25.5	19.5	-1410	14
24	18	-1310	13
22.5	16.5	-1210	12
21	15	-1110	11
19.5	13.5	-1010	10
18	12	-0910	9
16.5	10.5	-0810	8
15	9	-0710	7
13.5	7.5	-0610	6
12	6	-0510	5
10.5	4.5	-0410	4
9	3	-0310	3
IB	A	52004-0310	3
		ENG. NO.	極数



RECOMMENDED WIRE DIM.

RECOMMENDED P.C. BOARD HOLE DIM. (t=1.6)
 (COMPONENT SIDE)

REVISED ECNO: J2004-4815 T1 DRAWNAIDA 2004/08/05 CHK: KHTAKASE 2004/08/05 APPR: JMIYAZAW 2004/08/17	GENERAL TOLERANCES (UNLESS SPECIFIED)		DIMENSION STYLE MM ONLY		SCALE 5:1	DESIGN UNITS METRIC	THIRD ANGLE PROJECTION	
	10 UNDER	±0.2	DRAWN BY	DATE	TITLE 1.5 WIRE TRAP CONN.			
	10 OVER 30 UNDER	±0.25	SKUNISHI	86/08/27				
	30 OVER	±0.3	CHECKED BY	DATE	MOLEX INCORPORATED			
ANGULAR	±3 °	HII	93/01/18					
DRAFT WHERE APPLICABLE MUST REMAIN WITHIN DIMENSIONS		APPROVED BY	DATE	MATERIAL NO.		DOCUMENT NO.		SHEET NO.
		MFUKUSHIMA	93/01/18	SEE CHART		SD-52004-**10		1 OF 2
THIS DRAWING CONTAINS INFORMATION THAT IS PROPRIETARY TO MOLEX INCORPORATED AND SHOULD NOT BE USED WITHOUT WRITTEN PERMISSION								

3極から12極の形状

13極から17極の形状
(カバーの形状のみ異なる)

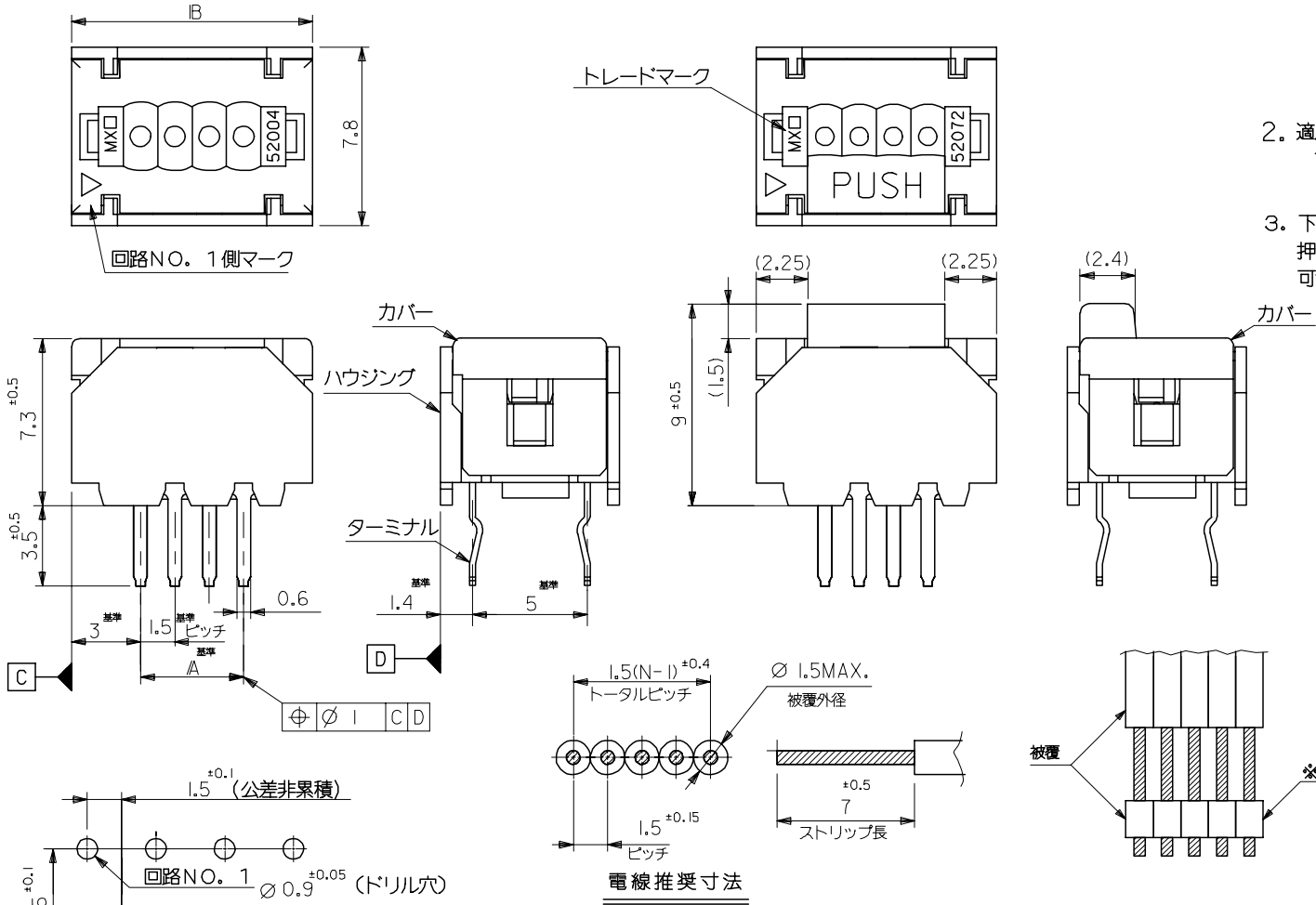
(注記) 1. 材質

ターミナル: 燐青銅材, 錫メッキ (t=0.254)
 ハウジング: PBT(15%G.F.), UL94V-0
 G.E. PLASTICS JAPAN LTD.
 VALOX DR-48 UL FILE NO. E45587
 カバー: PBT(30%G.F.), UL94V-0
 G.E. PLASTICS JAPAN LTD.
 VALOX 420-SEO UL FILE NO. E45587

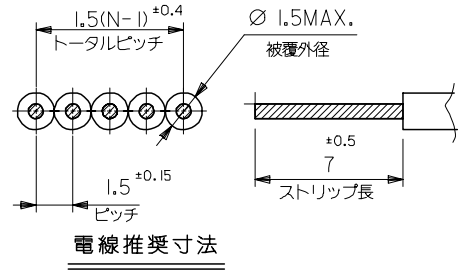
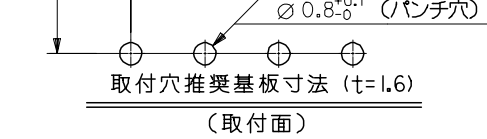
2. 適用電線

1. 5mmピッチリボンケーブル。
 (UL2468、AWG#24~#26錫コート線)

3. 下図の様な末端処理ケーブルにて、*部を直接カバーに押し付けスライドさせる使用法はカバーが押し下げられる可能性があるため不可。



30	24	52004-1710	17
28.5	22.5	-1610	16
27	21	-1510	15
25.5	19.5	-1410	14
24	18	-1310	13
22.5	16.5	-1210	12
21	15	-1110	11
19.5	13.5	-1010	10
18	12	-0910	9
16.5	10.5	-0810	8
15	9	-0710	7
13.5	7.5	-0610	6
12	6	-0510	5
10.5	4.5	-0410	4
9	3	52004-0310	3
B	A	ENG NO	極数



REVISED ECNNO: J2004-4815 DRAWN: IDA 2004/08/05 CHK: KHTAKASE 2004/08/05 APPR: JMIYAZAW 2004/08/17	GENERAL TOLERANCES (UNLESS SPECIFIED)		DIMENSION STYLE MM ONLY		SCALE 5:1	DESIGN UNITS METRIC	THIRD ANGLE PROJECTION	
	10 UNDER ±0.2	10 OVER 30 UNDER ±0.25	30 OVER ±0.3	DRAWN BY SKUNISHI	DATE 86/08/27	TITLE 1.5 WIRE TRAP CONN. (JAPAN)		
	ANGULAR ±3°			CHECKED BY HII	DATE 93/01/18	MOLEX INCORPORATED		
	DRAFT WHERE APPLICABLE MUST REMAIN WITHIN DIMENSIONS			APPROVED BY MFUKUSHIMA	DATE 93/01/18	MATERIAL NO. SEE CHART	DOCUMENT NO. SD-52004-**10	SHEET NO. 2 OF 2

ZF06100.0241452004.506:1