

PLEASE CHECK WWW.MOLEX.COM FOR LATEST PART INFORMATION

Part Number: [0681512015](#)
Status: **Active**
Description: 2.50mm (.098") Pitch Wire-to-Board Header, 1.02mm (.040") Tab, Vertical, 20 Circuits, Gray

Documents:

[3D Model](#) [Product Specification PS-68151-001 \(PDF\)](#)
[Drawing \(PDF\)](#) [RoHS Certificate of Compliance \(PDF\)](#)
[Product Specification PS-68145-002 \(PDF\)](#)

General

Product Family	PCB Headers
Series	68151
Application	Wire-to-Board
Product Name	N/A

Physical

Breakaway	No
Circuits (Loaded)	20
Circuits (maximum)	20
Color - Resin	Gray
Durability (mating cycles max)	50
First Mate / Last Break	No
Glow-Wire Compliant	No
Guide to Mating Part	No
Keying to Mating Part	None
Lock to Mating Part	Yes
Material - Metal	Brass
Material - Plating Mating	Tin
Material - Plating Termination	Tin
Material - Resin	Polyester
Number of Rows	2
Orientation	Vertical
PC Tail Length (in)	0.146 In
PC Tail Length (mm)	3.70 mm
PCB Locator	Yes
PCB Retention	Yes
PCB Thickness Recommended (in)	0.062 In
PCB Thickness Recommended (mm)	1.60 mm
Packaging Type	Tray
Pitch - Mating Interface (in)	0.098 In
Pitch - Mating Interface (mm)	2.50 mm
Plating min: Mating (µin)	32
Plating min: Mating (µm)	0.80
Plating min: Termination (µin)	32
Plating min: Termination (µm)	0.80
Shrouded	Partial
Stackable	No
Surface Mount Compatible (SMC)	No
Temperature Range - Operating	-30°C to +85°C
Termination Interface: Style	Through Hole

Electrical

Current - Maximum per Contact	5A
Voltage - Maximum	12V

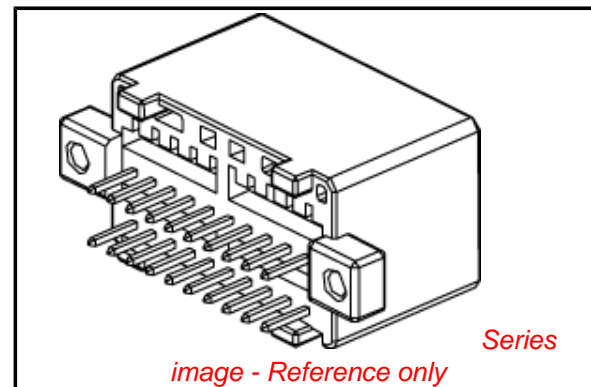


image - Reference only

EU RoHS

ELV and RoHS Compliant
REACH SVHC
 Not Reviewed
Halogen-Free Status

China RoHS



Need more information on product environmental compliance?

Email productcompliance@molex.com
 For a multiple part number RoHS Certificate of Compliance, [click here](#)

Please visit the [Contact Us](#) section for any non-product compliance questions.

Search Parts in this Series

[68151Series](#)

Mates With

[35564 Wire-to-Board Housing](#)

Material Info

Reference - Drawing Numbers

Product Specification

Sales Drawing

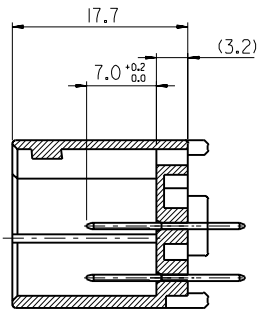
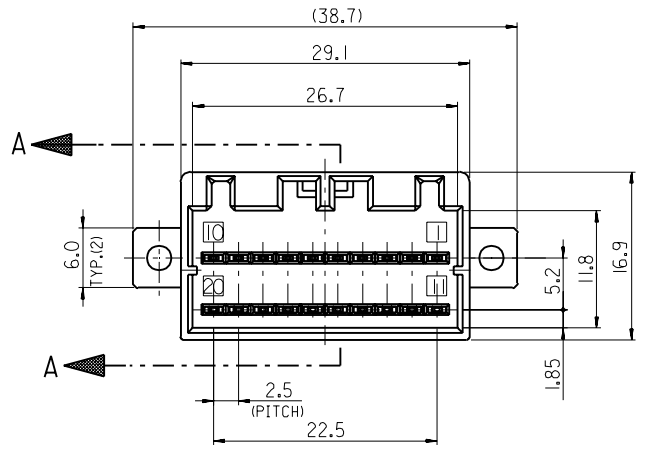
PS-68145-002, PS-68151-001

SD-68151-001

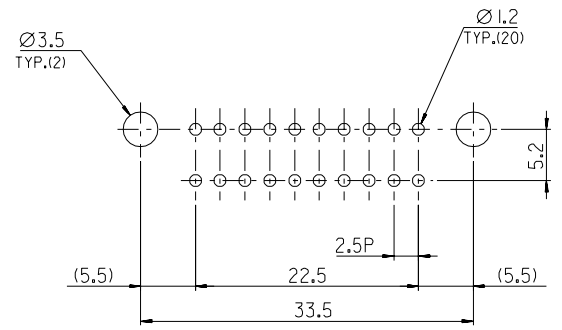
This document was generated on 04/07/2010

PLEASE CHECK WWW.MOLEX.COM FOR LATEST PART INFORMATION

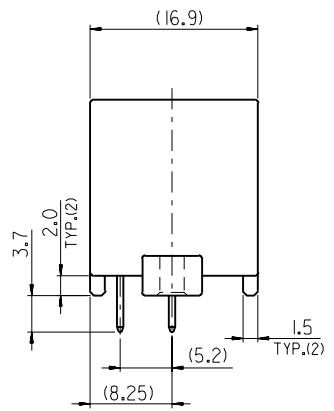
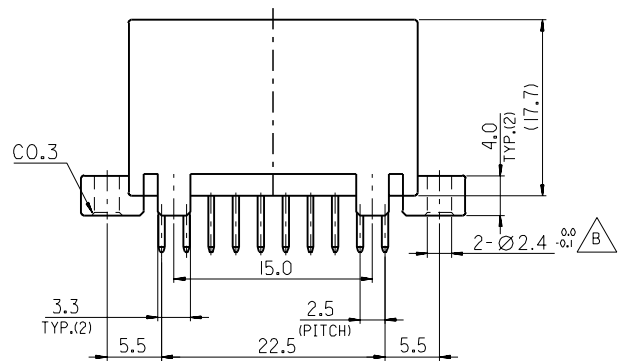
DWG. NO. SD-68151-001
 SIMILAR ITEM
 PROJECT NO.
 C
 B
 DO NOT SCALE DRAWING DIMENSION IN METRIC



SECT.A-A



RECOMMENDED P.C.B HOLE DIM.(MOUNT SIDE)



NOTES

- 1.APPLICABLE FEMALE HOUSING : 35564-2015
- 2.APPLICABLE FEMALE TERMINAL : 50654-1001,50655-1068
50655-1031
- 3.MATERIAL:HOUSING-POLYESTER (PBT),COLOR-GRAY
TERMINAL-BRASS, FINISH-TIN PLATING

REVISED	EC NO. KOR2005-0008	QUALITY SYMBOLS	GENERAL TOLERANCES: (UNLESS SPECIFIED)		SCALE 2:1	DESIGN UNITS <input checked="" type="checkbox"/> mm <input type="checkbox"/> INCH	THIRD ANGLE PROJECTION <input checked="" type="checkbox"/> mm <input type="checkbox"/> INCH		DIMENSIONS: <input type="checkbox"/> mm <input type="checkbox"/> INCH <input checked="" type="checkbox"/> mm ONLY		SHT	REV
	DRWN: S.M.KIM 04/11/24		MAJOR $\nabla=0$	mm	INCH	DRAWN BY & DATE Y.SIK.KIM 99/05/12		TITLE: 040 WIRE TO BOARD CONNECTOR 20P HEADER ASS'Y (VERTICAL)		REVISE ON CAD ONLY		
B	CHK: B.C.YOON 04/11/24	DESCRIPTION	4 PLACES $\pm 0.$	$\pm .$	CHECKED BY & DATE B.K.CHOI 99/05/12		MOLEX INCORPORATED		MATERIAL NO. 68151-2015		DRAWING NO. SD-68151-001	
	APPR: C.W.LEE		CRITICAL $\nabla C=0$	3 PLACES $\pm 0.$	$\pm .$	APPROVED BY & DATE C.W.LEE 99/05/13			SHEET NO. 1 OF 1		SIZE B	
	REV		2 PLACES ± 0.20	$\pm .$	CAD FILENAME sd681512.dgn							
			1 PLACE ± 0.30	$\pm .$	DRAFT WHERE APPLICABLE MUST REMAIN WITHIN DIMENSIONS		THIS DRAWING CONTAINS INFORMATION THAT IS PROPRIETARY TO MOLEX INCORPORATED AND SHOULD NOT BE USED WITHOUT WRITTEN PERMISSION.					
			ANGULAR: $\pm 1^\circ$									