



TAI-SAW TECHNOLOGY CO., LTD.

No. 3, Industrial 2nd Rd., Ping-Chen Industrial District,
Taoyuan, 324, Taiwan, R.O.C.

TEL: 886-3-4690038 FAX: 886-3-4697532
E-mail: tstsales@mail.taisaw.com Web: www.taisaw.com

Approval Sheet For Product Specification

Issued Date:

Product Name: SAW Filter 868.30MHz SMD5X5mm

TST Parts No.: TA0280A

Customer Parts No.: _____

Company: _____
Division: _____
Approved by : _____
Date: _____

Checked by: Asin Lin

Approval by: Francis Chen

Date: 2005/9/29



TAI-SAW TECHNOLOGY CO., LTD.

No. 3, Industrial 2nd Rd., Ping-Chen Industrial District,
Taoyuan, 324, Taiwan, R.O.C.

TEL: 886-3-4690038 FAX: 886-3-4697532

E-mail: tstsales@mail.taisaw.com Web: www.taisaw.com

SAW Filter 868.30 MHz

MODEL NO.: TA0280A

REV. NO.:4

A. MAXIMUM RATING:

1. Input Power Level: 0 dBm
2. DC voltage: 0 V
3. Operating Temperature: -45°C to +90°C
4. Storage Temperature: -45°C to +90°C

RoHS Compliant
Lead free
Lead-free soldering

B. ELECTRICAL CHARACTERISTICS:

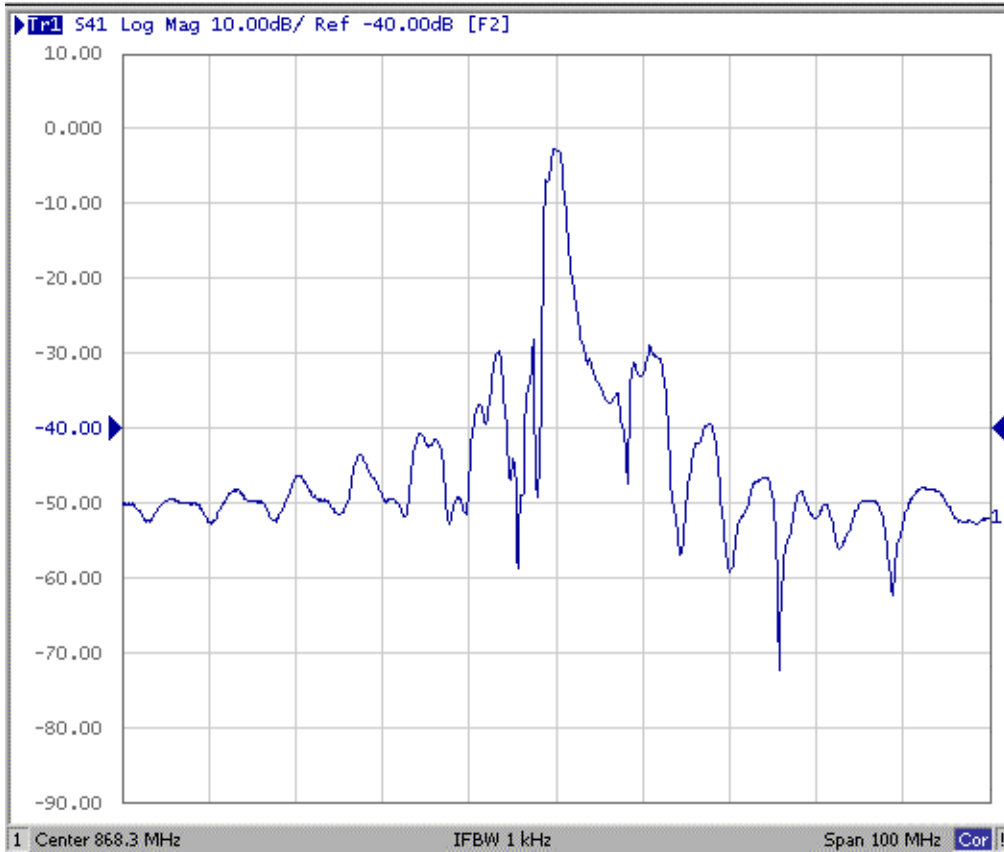
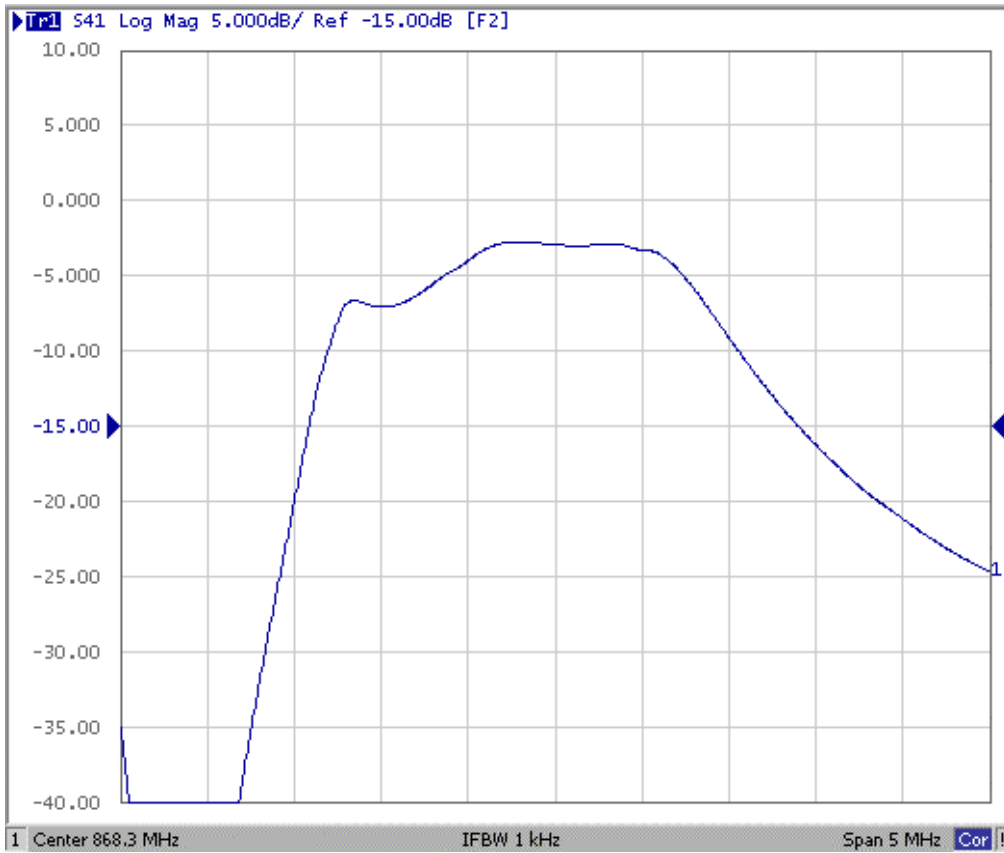
Reference temperature: 25°C

Item	Min.	Typ.	Max.	Note
Center frequency F_c (MHz)	-	868.30	-	1
Minimum I.L. (868~868.78 MHz) (dB) IL_{min}	-	2.7	4.2	
Pass band (relative to IL_{min})				
868~868.78 MHz (dB)	-	1.0	3.0	1
867.9~868.88 MHz (dB)	-	1.5	6.0	
Pass bandwidth (relative to IL_{min}) BW_3 (KHz)	-	1500	-	
Attenuation:(relative to IL_{min}) (dB)				
10~700 MHz (dB)	50	55	-	
700~830 MHz (dB)	40	45	-	
830~850 MHz (dB)	35	40	-	
850~865.02 MHz (dB)	25	28	-	1
871~874.5 MHz (dB)	11	15	-	
874.5~883 MHz (dB)	16	21	-	
883~900 MHz (dB)	30	35	-	
900~1000 MHz (dB)	40	45	-	
Impedance at F_c ; Input $Z_{IN}=R_{IN}/C_{IN}$ Output $Z_{OUT}=R_{OUT}/C_{OUT}$	117Ω // 3.7 pF 117Ω // 3.7 pF			

Note1. The standard definitions is in JIS C 6703

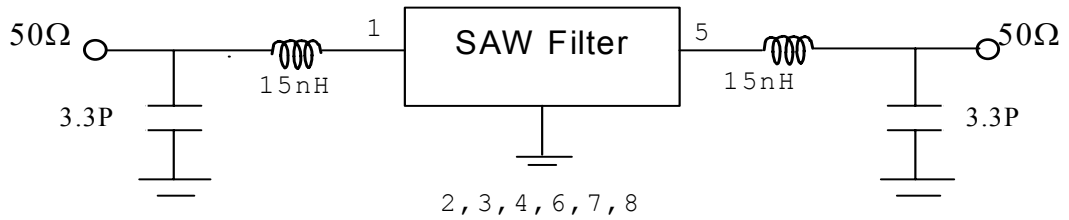
C. FREQUENCY CHARACTERISTICS:

The response included the loss of matching circuit.

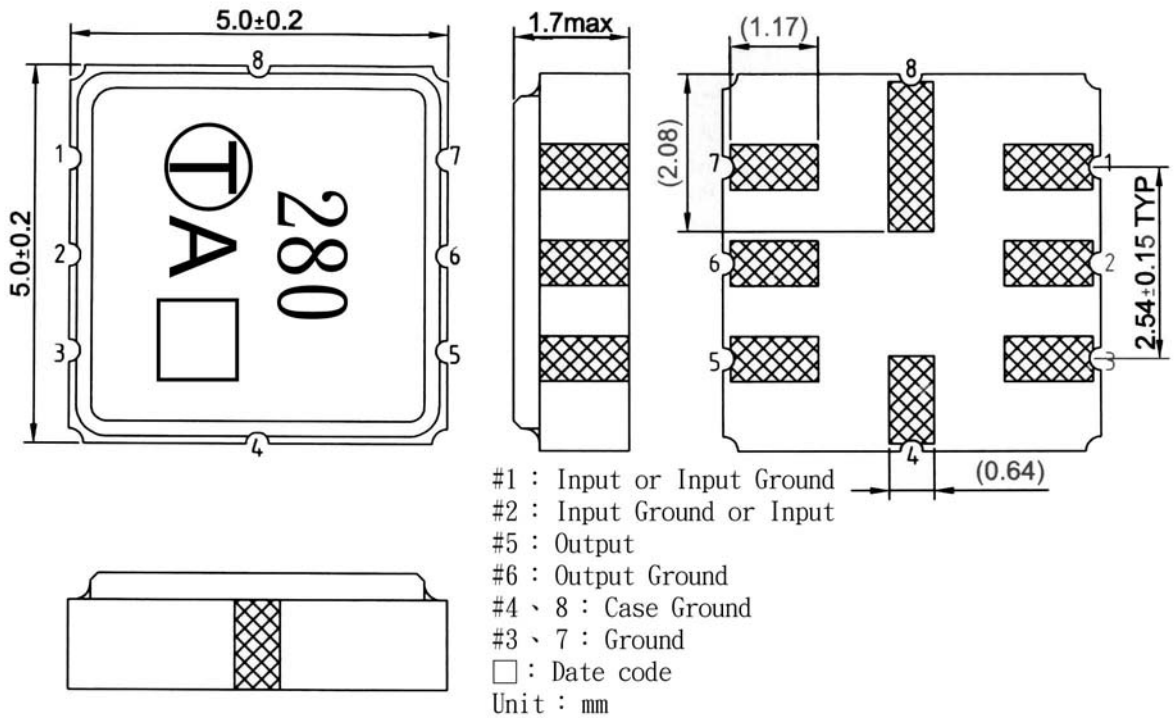


D. MEASUREMENT CIRCUIT:

HP Network analyzer



E. OUTLINE DRAWING:

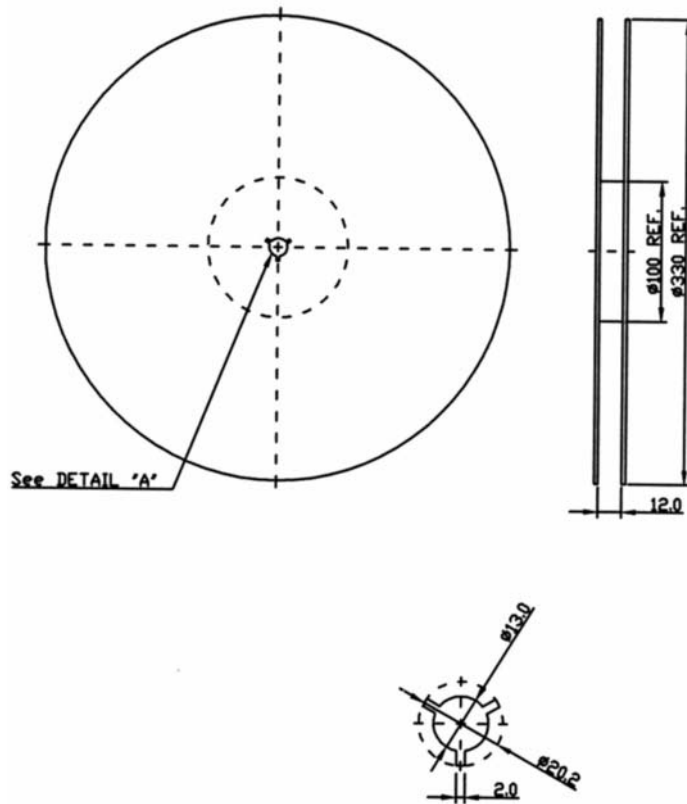


Product Year Code

Year	2001	2002	2003	2004
	2005	2006	2007	2008
Product Code	A	a	<u>A</u>	<u>a</u>

F. PACKING:

1. REEL DIMENSION



2. TAPE DIMENSION

