

PLEASE CHECK WWW.MOLEX.COM FOR LATEST PART INFORMATION

Part Number: [0524180390](#)
Status: **Active**
Description: 2.00mm (.079") Pitch Board-to-Board Receptacle, Right Angle, Single Row, Friction Lock, 3 Circuits, Tube Package

Documents:

[3D Model](#)
[Drawing \(PDF\)](#)
[Product Specification PS-52418-002 \(PDF\)](#)
[Product Specification PS-52418-003 \(PDF\)](#)
[RoHS Certificate of Compliance \(PDF\)](#)

General

Product Family PCB Receptacles
 Series [52418](#)
 Application Board-to-Board
 Product Name N/A

Physical

Circuits (Loaded) 3
 Color - Resin Natural
 Durability (mating cycles max) 30
 Glow-Wire Compliant No
 Lock to Mating Part Yes
 Material - Metal Phosphor Bronze
 Material - Plating Mating Tin
 Material - Plating Termination Tin
 Material - Resin Polyester
 Number of Rows 1
 Orientation Right Angle
 PCB Locator No
 PCB Retention Yes
 PCB Thickness Recommended (in) 0.062 In
 PCB Thickness Recommended (mm) 1.60 mm
 Packaging Type Tube
 Pitch - Mating Interface (in) 0.079 In
 Pitch - Mating Interface (mm) 2.00 mm
 Plating min: Mating (µin) 36
 Plating min: Mating (µm) 0.90
 Plating min: Termination (µin) 36
 Plating min: Termination (µm) 0.90
 Polarized to PCB No
 Surface Mount Compatible (SMC) No
 Temperature Range - Operating -40°C to +105°C
 Termination Interface: Style Through Hole - Kinked Pin

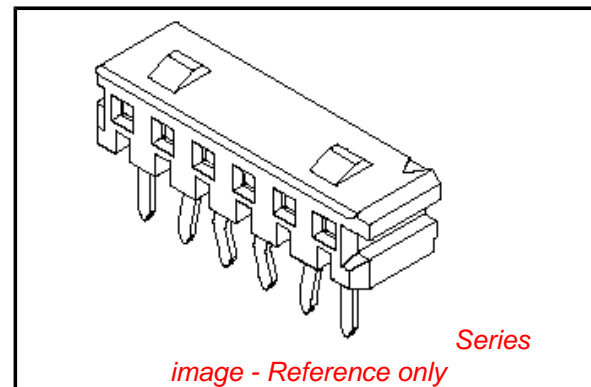
Electrical

Current - Maximum per Contact 1.5A
 Voltage - Maximum 125V

Material Info

Reference - Drawing Numbers

Product Specification PS-52418-002, PS-52418-003, RPS-52418-001, RPS-52418-004
 Sales Drawing SD-52418-**10, SD-52418-**90



EU RoHS

ELV and RoHS Compliant
REACH SVHC Contains SVHC: No
Halogen-Free Status
Not Reviewed

China RoHS



Need more information on product environmental compliance?

Email productcompliance@molex.com
 For a multiple part number RoHS Certificate of Compliance, [click here](#)

Please visit the [Contact Us](#) section for any non-product compliance questions.

Search Parts in this Series

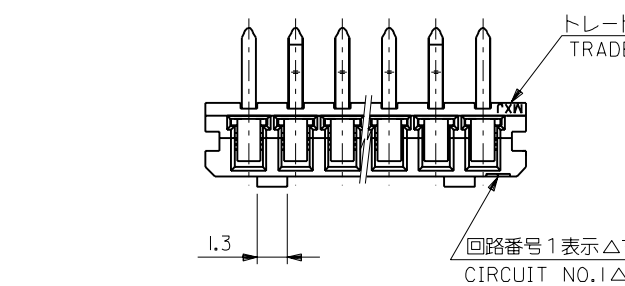
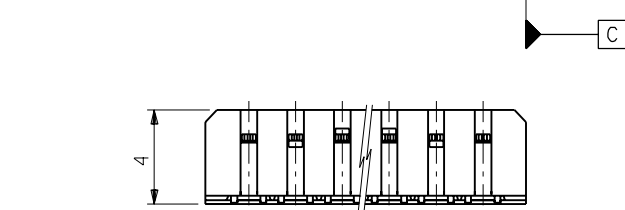
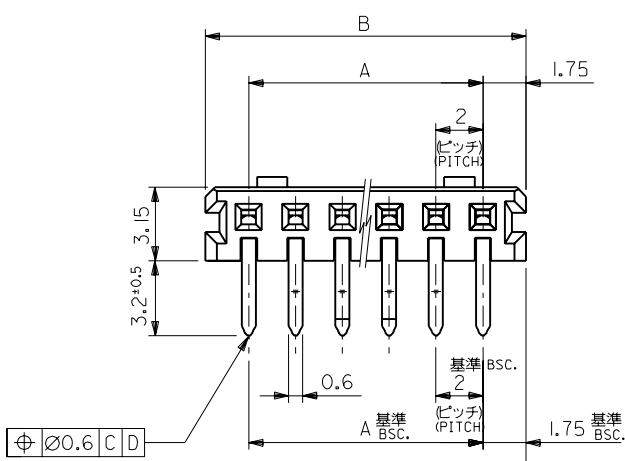
[52418Series](#)

Mates With

[53290](#)

This document was generated on 04/16/2010

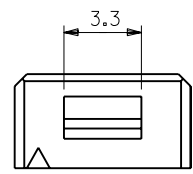
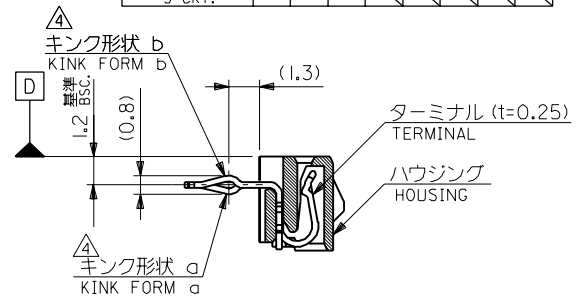
PLEASE CHECK WWW.MOLEX.COM FOR LATEST PART INFORMATION



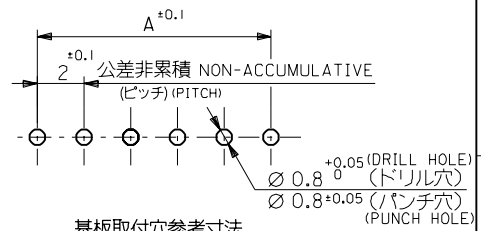
注記 NOTES

- 材料 MATERIAL
ハウジング: PBT (ガラス15%入り), UL 94V-0
HOUSING G.F. 15%
ターミナル: リン青銅, 錫メッキ
TERMINAL PHOS.BRO. PRE-TINNED
- 嵌合相手: 53290-***10, -***20
MATES WITH
- 各部のソリは0.2MAX.
CAMBER: 0.2MAX.
キックは、下記表の位置に付加。
KINK TO BE APPLIED AS FOLLOWS.
(N: 極数 CKT.)

極数 CKT.	回路番号 Ckt. No.	1	2	3	4	5	N-2	N-1	N
6極以上 MORE THAN 6 CKT.		-	a	b	-	-	b	a	-
5極 5 CKT.		a	b	-	b	a			
4極 4 CKT.		a	b	b	a				
3極 3 CKT.		a	b	a					



3極の場合
IN CASE OF
3 CIRCUIT HOUSING



基板取付穴参考寸法
RECOMMENDED P.C.B. BOARD
HOLE DIM.(REFERENCE)
(t = 1.6)

41.5	38	52418-2010	20
39.5	36	-1910	19
37.5	34	-1810	18
35.5	32	-1710	17
33.5	30	-1610	16
31.5	28	-1510	15
29.5	26	-1410	14
27.5	24	-1310	13
25.5	22	-1210	12
23.5	20	-1110	11
21.5	18	-1010	10
19.5	16	-0910	9
17.5	14	-0810	8
15.5	12	-0710	7
13.5	10	-0610	6
11.5	8	-0510	5
9.5	6	-0410	4
7.5	4	52418-0310	3
B	A	ENG. NO.	極数 CKT.

角度 ANGLE	±3°	B	変更 REVISED (J10812)	T.I.	'91/9/27	適用電線範囲 WIRE RANGE	— // —
30以上 OVER	+0.3	A	変更 REVISED (J00866)	T.I.	'90/8/21	被覆外径 INS. RANGE	— // —
10以上 30未満 OVER	+0.25	O	新規作成 RELEASED (J00558)	S.A	'90/7/12		
10未満 UNDER	+0.2	記号 LTR	変更内容 REVISION RECORD	DR. CHK.	日付 DATE		
一般公差 GENERAL TOLERANCES		REVISE ONLY ON CAD SYSTEM					
						材料 MATERIAL	注記参照 SEE NOTES
						仕上げ FINISH	— // —
						適用電線範囲 WIRE RANGE	— // —
						被覆外径 INS. RANGE	— // —
						DRAWN BY '90/7/11 S.AIHARA	CHK'D BY '93/9/23 T.IITO
						APP'D BY '93/9/23 M.FUKUSHIMA	尺度 SCALE — // —

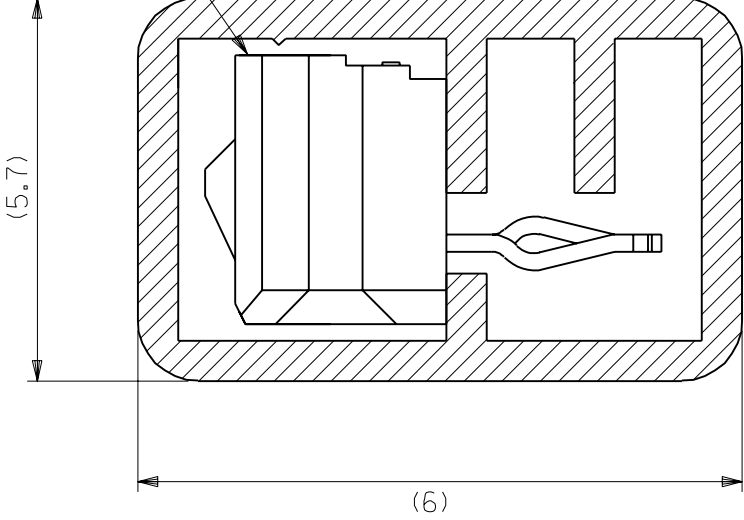
MOLEX JAPAN CO., LTD. 日本モレックス株式会社	
EDP NO.	REV C
ENG. NO. SD-52418-***10	TITLE 名称 2.0 BOARD TO BOARD CONN. HOUSING ASS'Y (R/A)

ENG. NO
SD-52418-**-90

EDP NO.

MM : DIMENSIONS IN METRIC DO NOT SCALE DRAWING

REV



52418-**-10

スティック
STICK

13	52418-2090	20
14	- 1990	19
15	- 1890	18
15	- 1790	17
16	- 1690	16
17	- 1590	15
19	- 1490	14
20	- 1390	13
22	- 1290	12
24	- 1190	11
26	- 1090	10
28	- 0990	9
32	- 0890	8
36	- 0790	7
41	- 0690	6
49	- 0590	5
59	- 0490	4
75	52418-0390	3
梱包数 QUANTITY	ENG.NO.	極数 CKT.

注 記 NOTES

1. スティック両端はキャップ止め。
BOTH ENDS WITH CAPS.
2. 全長 : 600⁺²
LENGTH: 600⁺²
3. 肉厚 : 0.6
THICKNESS: 0.6

角度	ANGLE	±3°
以上	OVER	±0.3
10以上	OVER	未満 ±0.25
10未満	UNDER	±0.2
一般公差	GENERAL TOLERANCES	

材料 MATERIAL	スティック : ポリ塩化ビニル STICK : PVC		
仕上げ FINISH	— # —		
適用電線範囲 WIRE RANGE	— # —		
被覆外径 INS. RANGE	— # —		
DRAWN BY	'90/7/11	CHK'D BY	'93/9/23
S.AIHARA		T.IITO	
APP'D BY	'93/9/23	尺 SCALE	— # —
M.FUKUSHIMA			
変更 REVISED	(J30969)	T.I	'93/9/23
新規作成 RELEASED	(J00558)	S.A	
変更内容 REVISION RECORD	DR	CHK.	DATE
記号 LTR			日付

EDP NO.	REV	
ENG. NO.	SD-52418-**-90	A
TITLE 名称 :	STICK PACKAGING	
	FOR 52418-**-10	
MOLEX-JAPAN CO.,LTD. 日本モレックス株式会社		

REVISION RECORD

DR

CHK.

DATE

日付

SCALE

— # —

CHK'D BY

'93/9/23

T.IITO

INS. RANGE

— # —

WIRE RANGE

— # —

FINISH

— # —

STICK : PVC

POLYVINYL CHLORIDE

MATERIAL

— # —

REVISION RECORD

DATE

日付

SCALE

— # —

CHK'D BY

'93/9/23

T.IITO

INS. RANGE

— # —

WIRE RANGE

— # —

FINISH

— # —

STICK : PVC

POLYVINYL CHLORIDE

MATERIAL

— # —

REVISION RECORD

DATE

日付

SCALE

— # —

CHK'D BY

'93/9/23

T.IITO

INS. RANGE

— # —

WIRE RANGE

— # —

FINISH

— # —

STICK : PVC

POLYVINYL CHLORIDE

MATERIAL

— # —

REVISION RECORD

DATE

日付

SCALE

— # —

CHK'D BY

'93/9/23

T.IITO

INS. RANGE

— # —

WIRE RANGE

— # —

FINISH

— # —

STICK : PVC

POLYVINYL CHLORIDE

MATERIAL

— # —

REVISION RECORD

DATE

日付

SCALE

— # —

CHK'D BY

'93/9/23

T.IITO

INS. RANGE

— # —

WIRE RANGE

— # —

FINISH

— # —

STICK : PVC

POLYVINYL CHLORIDE

MATERIAL

— # —

REVISION RECORD

DATE

日付

SCALE

— # —

CHK'D BY

'93/9/23

T.IITO

INS. RANGE

— # —

WIRE RANGE

— # —

FINISH

— # —

STICK : PVC

POLYVINYL CHLORIDE

MATERIAL

— # —

REVISION RECORD

DATE

日付

SCALE

— # —

CHK'D BY

'93/9/23

T.IITO

INS. RANGE

— # —

WIRE RANGE

— # —

FINISH

— # —

STICK : PVC

POLYVINYL CHLORIDE

MATERIAL

— # —

REVISION RECORD

DATE

日付

SCALE

— # —

CHK'D BY

'93/9/23

T.IITO

INS. RANGE

— # —

WIRE RANGE

— # —

FINISH

— # —

STICK : PVC

POLYVINYL CHLORIDE

MATERIAL

— # —

REVISION RECORD

DATE

日付

SCALE

— # —

CHK'D BY

'93/9/23

T.IITO

INS. RANGE

— # —

WIRE RANGE

— # —

FINISH

— # —

STICK : PVC

POLYVINYL CHLORIDE

MATERIAL

— # —

REVISION RECORD

DATE

日付

SCALE

— # —

CHK'D BY

'93/9/23

T.IITO

INS. RANGE

— # —

WIRE RANGE

— # —

FINISH

— # —

STICK : PVC

POLYVINYL CHLORIDE

MATERIAL

— # —

REVISION RECORD

DATE

日付

SCALE

— # —

CHK'D BY

'93/9/23

T.IITO

INS. RANGE

— # —

WIRE RANGE

— # —

FINISH

— # —

STICK : PVC

POLYVINYL CHLORIDE

MATERIAL

— # —

REVISION RECORD

DATE

日付

SCALE

— # —

CHK'D BY

'93/9/23

T.IITO

INS. RANGE

— # —

WIRE RANGE

— # —

FINISH

— # —

STICK : PVC

POLYVINYL CHLORIDE

MATERIAL

— # —

REVISION RECORD

DATE

日付

SCALE

— # —

CHK'D BY

'93/9/23

T.IITO

INS. RANGE

— # —

WIRE RANGE

— # —

FINISH

— # —

STICK : PVC

POLYVINYL CHLORIDE

MATERIAL

— # —

REVISION RECORD

DATE

日付

SCALE

— # —

CHK'D BY

'93/9/23

T.IITO

INS. RANGE

— # —

WIRE RANGE

— # —

FINISH

— # —

STICK : PVC

POLYVINYL CHLORIDE

MATERIAL

— # —

REVISION RECORD