

**PLEASE CHECK WWW.MOLEX.COM FOR LATEST PART INFORMATION**

**Part Number:** [0010112123](#)  
**Status:** **Active**  
**Overview:** [kk](#)  
**Description:** 2.54mm (.100") Pitch KK® Crimp Terminal Housing, High Pressure, 12 Circuits

**Documents:**

[3D Model](#) [Product Specification PS-7879 \(PDF\)](#)  
[Drawing \(PDF\)](#) [RoHS Certificate of Compliance \(PDF\)](#)

**Agency Certification**

CSA LR19980  
 UL E29179

**General**

Product Family Crimp Housings  
 Series [7880](#)  
 Overview [kk](#)  
 Product Name KK®

**Physical**

Circuits (maximum) 12  
 Color - Resin Natural (White)  
 Flammability 94V-0  
 Gender Female  
 Glow-Wire Compliant No  
 Material - Resin Nylon  
 Number of Rows 1  
 Packaging Type Bag  
 Panel Mount No  
 Pitch - Mating Interface (in) 0.100 In  
 Pitch - Mating Interface (mm) 2.54 mm  
 Stackable No  
 Temperature Range - Operating 0°C to +75°C

**Material Info**

Old Part Number 7880-12B

**Reference - Drawing Numbers**

Product Specification PS-7879  
 Sales Drawing SD-7880



**EU RoHS**

**ELV and RoHS  
 Compliant**  
**REACH SVHC**  
 Not Reviewed  
**Halogen-Free  
 Status**

**China RoHS**



**Need more information on product  
 environmental compliance?**

Email [productcompliance@molex.com](mailto:productcompliance@molex.com)  
 For a multiple part number RoHS Certificate of  
 Compliance, [click here](#)

Please visit the [Contact Us](#) section for any  
 non-product compliance questions.

**Search Parts in this Series**

[7880Series](#)

**Mates With**

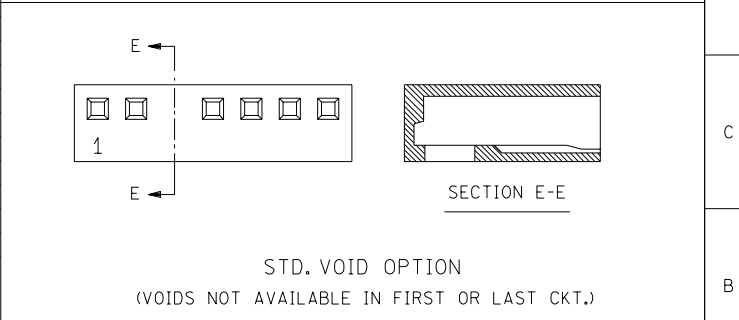
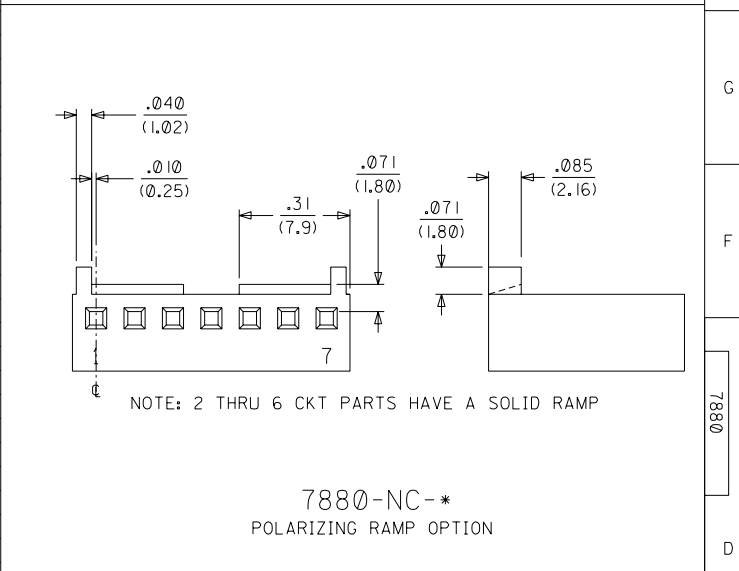
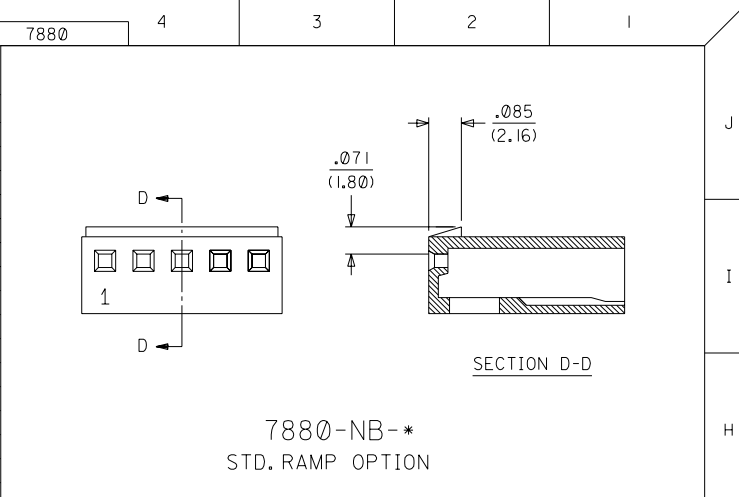
2.54mm (.100") Pitch KK® Crimp Terminal  
 Housing, High Pressure, 12 Circuits

**Use With**

[7879](#) KK® High Pressure Crimp Terminal



| 7880-NA-*  |          |           | 7880-NB-*  |            |           | 7880-NC-*  |          |           |
|------------|----------|-----------|------------|------------|-----------|------------|----------|-----------|
| PART NO.   | ENG. NO. | VOID CKT. | PART NO.   | ENG. NO.   | VOID CKT. | PART NO.   | ENG. NO. | VOID CKT. |
| 10-01-2019 | 7880-1A  |           | 10-11-2013 | 7880-1B    |           | N/A        | 7880-1C  |           |
| 10-01-2029 | 7880-2A  |           | 10-11-2023 | 7880-2B    |           | 10-11-2024 | 7880-2C  |           |
| 10-01-2039 | 7880-3A  |           | 10-11-2033 | 7880-3B    |           | 10-11-2034 | 7880-3C  |           |
| 10-01-2049 | 7880-4A  |           | 10-11-2043 | 7880-4B    |           | 10-11-2044 | 7880-4C  |           |
| 10-01-2059 | 7880-5A  |           | 10-11-2053 | 7880-5B    |           | 10-11-2054 | 7880-5C  |           |
| 10-01-2069 | 7880-6A  |           | 10-11-2063 | 7880-6B    |           | 10-11-2064 | 7880-6C  |           |
| 10-01-2079 | 7880-7A  |           | 10-11-2073 | 7880-7B    |           | 10-11-2074 | 7880-7C  |           |
| 10-01-2089 | 7880-8A  |           | 10-11-2083 | 7880-8B    |           | 10-11-2084 | 7880-8C  |           |
| 10-01-2099 | 7880-9A  |           | 10-11-2093 | 7880-9B    |           | 10-11-2094 | 7880-9C  |           |
| 10-01-2109 | 7880-10A |           | 10-11-2103 | 7880-10B   |           | 10-11-2104 | 7880-10C |           |
| 10-01-2119 | 7880-11A |           | 10-11-2113 | 7880-11B   |           | 10-11-2114 | 7880-11C |           |
| 10-01-2129 | 7880-12A |           | 10-11-2123 | 7880-12B   |           | 10-11-2124 | 7880-12C |           |
| 10-01-2139 | 7880-13A |           | 10-11-2133 | 7880-13B   |           | 10-11-2134 | 7880-13C |           |
| 10-01-2149 | 7880-14A |           | 10-11-2143 | 7880-14B   |           | 10-11-2144 | 7880-14C |           |
| 10-01-2159 | 7880-15A |           | 10-11-2153 | 7880-15B   |           | 10-11-2154 | 7880-15C |           |
| 10-01-2169 | 7880-16A |           | 10-11-2163 | 7880-16B   |           | 10-11-2164 | 7880-16C |           |
| 10-01-2179 | 7880-17A |           | 10-11-2173 | 7880-17B   |           | 10-11-2174 | 7880-17C |           |
| 10-01-2189 | 7880-18A |           | 10-11-2183 | 7880-18B   |           | 10-11-2184 | 7880-18C |           |
| 10-01-2199 | 7880-19A |           | 10-11-2193 | 7880-19B   |           | 10-11-2194 | 7880-19C |           |
| 10-01-2209 | 7880-20A |           | 10-11-2203 | 7880-20B   |           | 10-11-2204 | 7880-20C |           |
| 10-01-2219 | 7880-21A |           | 10-11-2213 | 7880-21B   |           | 10-11-2214 | 7880-21C |           |
| 10-01-2229 | 7880-22A |           | 10-11-2223 | 7880-22B   |           | 10-11-2224 | 7880-22C |           |
| 10-01-2239 | 7880-23A |           | 10-11-2233 | 7880-23B   |           | 10-11-2234 | 7880-23C |           |
| 10-01-2249 | 7880-24A |           | 10-11-2243 | 7880-24B   |           | 10-11-2244 | 7880-24C |           |
| 10-01-2259 | 7880-25A |           | 10-11-2253 | 7880-25B   |           | 10-11-2254 | 7880-25C |           |
| 10-01-2269 | 7880-26A |           | 10-11-2263 | 7880-26B   |           | 10-11-2264 | 7880-26C |           |
| 10-01-2279 | 7880-27A |           | 10-11-2273 | 7880-27B   |           | 10-11-2274 | 7880-27C |           |
| 10-01-2289 | 7880-28A |           | 10-11-2283 | 7880-28B   |           | 10-11-2284 | 7880-28C |           |
|            |          |           | 10-11-2052 | 7880-5B-2  | 2         |            |          |           |
|            |          |           | 10-11-2092 | 7880-9B-2  | 2         |            |          |           |
|            |          |           | 10-11-2105 | 7880-10B-4 | 4         |            |          |           |



|             |             |             |             |
|-------------|-------------|-------------|-------------|
| SEE SHEET I | SEE SHEET I | SEE SHEET I | SEE SHEET I |
| SEE SHEET I | SEE SHEET I | SEE SHEET I | SEE SHEET I |
| SEE SHEET I | SEE SHEET I | SEE SHEET I | SEE SHEET I |
| SEE SHEET I | L           | SEE SHEET I | SEE SHEET I |
| SEE SHEET I | K3          | SEE SHEET I | SEE SHEET I |
| SEE SHEET I | H           | SEE SHEET I | SEE SHEET I |
| LTR.        | REVISIONS   | LTR.        | REVISIONS   |

DIMENSIONS SHOWN (METRIC) INCH  
UNLESS OTHERWISE SPECIFIED  
TOLERANCES: ANGULAR ± 1/2°

|         | INCH   | METRIC |
|---------|--------|--------|
| 3 PLACE | ± .010 | ± 0.25 |
| 2 PLACE | ± .014 | ± 0.36 |
| 1 PLACE |        | ± 0.36 |

DRAFT WHERE APPLICABLE MUST REMAIN WITHIN DIMENSIONS

DRWG. BY: GUZIK    CHK'D. BY: PATEL  
APP'D. BY: LENZ    SCALE: :

THIS DRAWING CONTAINS INFORMATION THAT IS PROPRIETARY TO MOLEX INC. AND SHOULD NOT BE USED WITHOUT WRITTEN PERMISSION

REVISE ONLY ON CAD SYSTEM

TITLE: (2.54)/.100 KK, HOUSING FOR SHROUDED CRIMP TYPE TERMINAL

MOLEX INCORPORATED U.S.A.    SHEET NO. 2    DATE 08/24/88

PART NO. SEE CHART    DRWG. NO. SD-7880