

**PLEASE CHECK WWW.MOLEX.COM FOR LATEST PART INFORMATION**

**Part Number:** [0563772000](#)  
**Status:** **Active**  
**Description:** CRC™ Shielded Rectangular I/O Receptacle Shell, Panel Mount, Signal, 20 Circuits, Front Mount Type

**Documents:**

[Drawing \(PDF\)](#) [Product Specification PS-51238-018 \(PDF\)](#)  
[Product Specification PS-51238-010 \(PDF\)](#) [RoHS Certificate of Compliance \(PDF\)](#)

**General**

|                |                           |
|----------------|---------------------------|
| Product Family | I/O Connectors            |
| Series         | <a href="#">56377</a>     |
| Application    | Panel-Mount, Wire-to-Wire |
| Component Type | Panel Mount Shell         |
| Product Name   | CRC™                      |
| Type           | N/A                       |

**Physical**

|                                |                 |
|--------------------------------|-----------------|
| Boot Color                     | N/A             |
| Circuits (Loaded)              | N/A             |
| Circuits (maximum)             | 20              |
| Durability (mating cycles max) | 100             |
| Gender                         | Receptacle      |
| Keying to Mating Part          | Yes             |
| Lock to Mating Part            | Yes             |
| Material - Plating Mating      | n/a             |
| Orientation                    | Vertical        |
| Packaging Type                 | Tray            |
| Panel Mount                    | Front           |
| Pitch - Mating Interface (in)  | 0.000 In        |
| Pitch - Mating Interface (mm)  | 0.00 mm         |
| Polarized to Mating Part       | Yes             |
| Polarized to PCB               | N/A             |
| Surface Mount Compatible (SMC) | N/A             |
| Temperature Range - Operating  | -40°C to +105°C |
| Termination Interface: Style   | N/A             |
| Waterproof / Dustproof         | No              |

**Electrical**

|                               |                  |
|-------------------------------|------------------|
| Current - Maximum per Contact | 3.5A             |
| Shield Type                   | Full Shield      |
| Shielded                      | Yes              |
| Voltage - Maximum             | 250V AC (RMS)/DC |

**Material Info**

**Reference - Drawing Numbers**

|                       |   |
|-----------------------|---|
| Product Specification | PS-51238-010, PS-51238-018, RPS-51238-001 |
| Sales Drawing         | SD-56377-005                              |



*image - Reference only*

**EU RoHS**  
**ELV and RoHS**  
**Compliant**  
**REACH SVHC**  
 Not Reviewed  
**Halogen-Free**  
**Status**  
 Not Reviewed

**China RoHS**



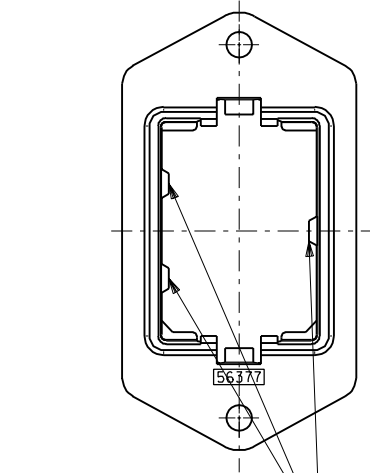
**Need more information on product environmental compliance?**

Email [productcompliance@molex.com](mailto:productcompliance@molex.com)  
 For a multiple part number RoHS Certificate of Compliance, [click here](#)

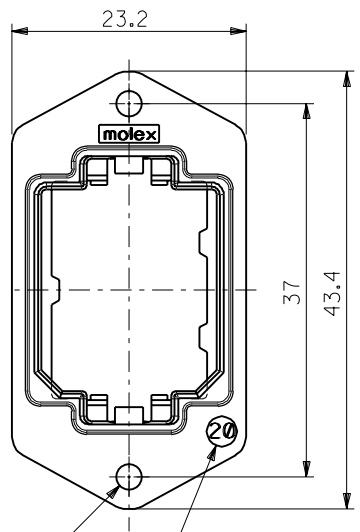
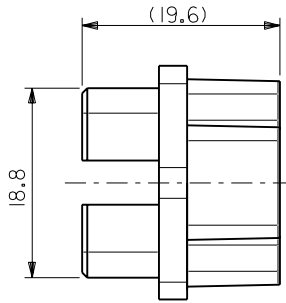
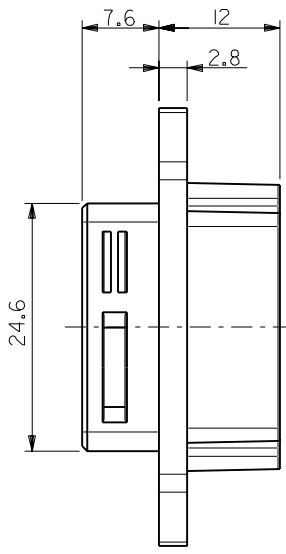
Please visit the [Contact Us](#) section for any non-product compliance questions.

**Search Parts in this Series**  
[56377Series](#)

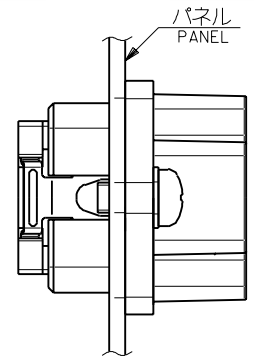
**Use With**  
[51233-201\\*](#)|[51238-201\\*](#)



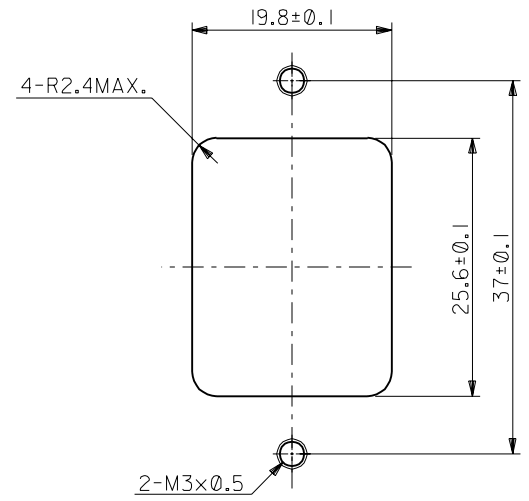
ハウジング挿入方向キー  
POLARIZATIONS KEY FOR HOUSING



2-Ø3.2 SIZE IDENTIFICATION



パネル前面取り付け  
FRONT MOUNT TYPE



推奨パネル切り取り寸法 (前面取り付け)  
RECOMMENDED PANEL OPENING (FRONT MOUNTING)

注記  
NOTES

1. 材質  
MATERIAL  
亜鉛合金、ニッケルメッキ  
ZINC ALLOY, NI PLATING
2. 適用ハウジングアッセンブリ : 51233-201\* (PIN HS'G ASS'Y)  
51238-201\* (SOCKET HS'G ASS'Y)  
APPLICABLE HOUSING ASS'Y : 51233-201\* (PIN HS'G ASS'Y)  
51238-201\* (SOCKET HS'G ASS'Y)
3. 推奨ねじ締め付けトルク : 5~6 kgf・cm  
RECOMMENDED SCREW TIGHTENING TORQUE : 5~6 kgf・cm

|            |            |
|------------|------------|
| 56377-2000 | 56377-**** |
|------------|------------|

|             |          |
|-------------|----------|
| MATERIAL.NO | MODEL.NO |
|-------------|----------|

|                             |                               |  |                               |
|-----------------------------|-------------------------------|--|-------------------------------|
| DIMENSIONS:                 |                               | SHT                                    | REV                           |
| <input type="checkbox"/> mm | <input type="checkbox"/> INCH | <input checked="" type="checkbox"/> mm | <input type="checkbox"/> ONLY |
|                             |                               | REVISE ON CAD ONLY                     |                               |

TITLE: COMPACT ROBOT CONN. (CRC) RECEPTACLE SHELL

**molex** MOLEX INCORPORATED

|              |              |           |
|--------------|--------------|-----------|
| MATERIAL NO. | DRAWING NO.  | SHEET NO. |
| SEE CHART    | SD-56377-005 | 1 OF 1    |

THIS DRAWING CONTAINS INFORMATION THAT IS PROPRIETARY TO MOLEX INCORPORATED AND SHOULD NOT BE USED WITHOUT WRITTEN PERMISSION. SIZE B

DO NOT SCALE DRAWING

|                   |                    |
|-------------------|--------------------|
| EC NO.            | REVISED 01/10/17   |
| DRWN: CH'K: APPR: | EC NO. J2002-0932  |
|                   | DRWN: S.AKIYAMA    |
|                   | CH'K: J.MIYAZAWA   |
|                   | APPR: Y.O.IITO     |
| EC NO.            | RELEASED 01/02/09  |
| DRWN: CH'K: APPR: | EC NO. JD2001-1040 |
|                   | DRWN: S.AKIYAMA    |
|                   | CH'K: J.MIYAZAWA   |
|                   | APPR: H.IKESUGI    |
| DESCRIPTION       |                    |
| FINISH 仕上げ        | #                  |
| WIRE RANGE 適用電線範囲 | #                  |
| INS. RANGE 被覆外径   | #                  |

|                   |                   |
|-------------------|-------------------|
| MATERIAL 材料       | 注記参照<br>SEE NOTES |
| FINISH 仕上げ        | #                 |
| WIRE RANGE 適用電線範囲 | #                 |
| INS. RANGE 被覆外径   | #                 |

|   |           |   |   |
|---|-----------|---|---|
| GENERAL TOLERANCES: (UNLESS SPECIFIED) 一般公差 | SCALE 2-1 | DESIGN UNITS <input checked="" type="checkbox"/> mm <input type="checkbox"/> INCH | THIRD ANGLE PROJECTION <input checked="" type="checkbox"/> <input type="checkbox"/> |
| 10 UNDER 未満                                 | ±0.2      | DRAWN BY & DATE S. Akiyama 01/01/25   | TITLE: COMPACT ROBOT CONN. (CRC) RECEPTACLE SHELL                                   |
| 10 OVER 以上 30 UNDER 未満                      | ±0.25     | CHECKED BY & DATE J. Miyazawa / Y. Ito  |   |
| 30 OVER 以上                                  | ±0.3      | APPROVED BY & DATE (Signature)  |   |
| ANGLE 角度                                    | ±3°       | CAD FILE NAME 56377005.S01  |   |