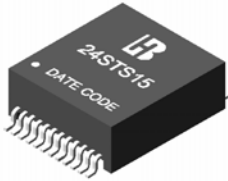


10/100 BASE-T TRANSFORMER

P/N: 24STS15 DATA SHEET

Feature

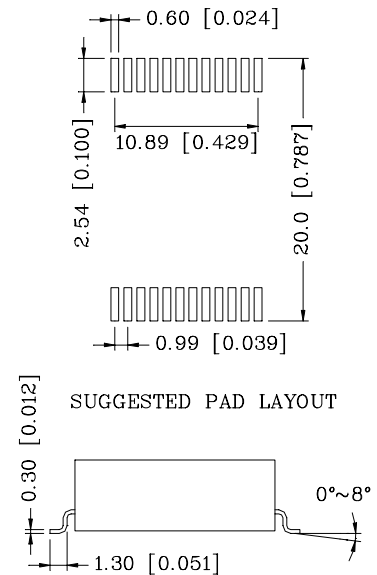
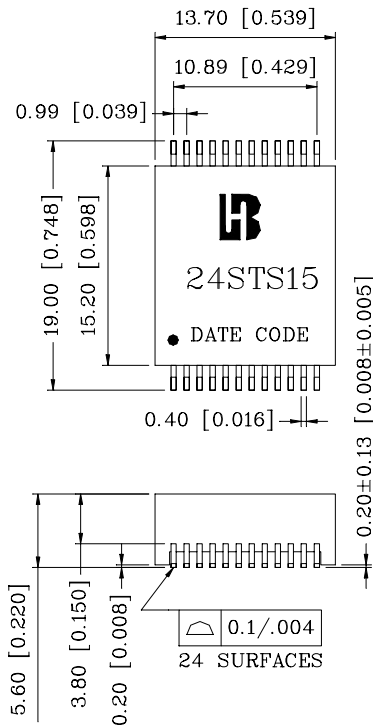
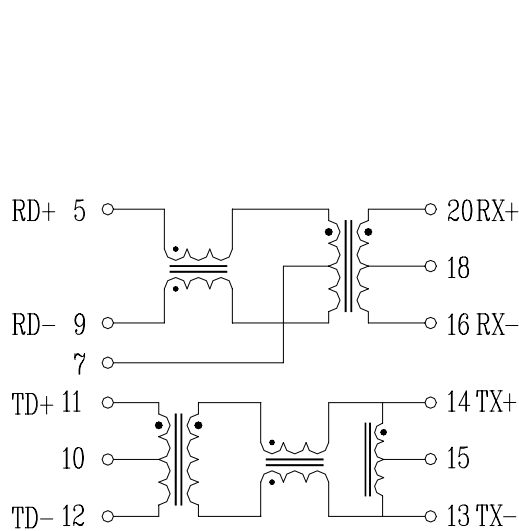


- Designed for 10/100 MB/s transmission over UTP-5 cable.
- Cable interface for isolation and low common mode Emissions.
- 24-PIN SMD package, pick and place compatible.
- Operating temperature range: 0°C to +70°C.
- Storage temperature range: -25°C to +125°C.

Electrical Specifications @ 25°C										
Part Number	Turns Ratio (±5%)		Primary OCL TX/RX(µH Min) @100KHz/0.1Vrms with 8mA/ DC Bias				L.L (µH Max)	CW/W (pF Max)	Rise Time (10-90%) (nS TYP)	Voltage Isolation (Vrms)
	TX	RX								
24STS15	1CT:1	1CT:1CT	350				0.6	28	2.5	1500
Continue										
Part Number	Insertion Loss (dB Max.)	Return Loss (dB Min)					Cross talk Attenuation (dB Min)		Differential to common mode rejection TX/RX(dB Min)	
	0.3-100MHz	30MHz	40MHz	50MHz	60MHz	80MHz	0.3-60MHz	6080MHz	0.3-60MHz	60-100MHz
24STS15	-1.15	-16	-14	-13.5	-13	-12	-40	-30	-35/-30	-35/-30

Schematic

Mechanical



Units: mm[Inches]
Tolerance: xx.x0±0.25[0.010]
0.xx±0.05[0.002]