

PLEASE CHECK WWW.MOLEX.COM FOR LATEST PART INFORMATION

Part Number: [0643241129](#)
Status: **Active**
Overview: [cmc connectors](#)
Description: 2.80mm (.110"), CMC CP Female Terminal, Tin plated; Selective 1.27µm Gold in Contact Area, for Tab Dimensions 2.8mm x 0.8mm , Wire Size >2mm² to 3mm²

Documents:

[3D Model](#) [RoHS Certificate of Compliance \(PDF\)](#)
[Drawing \(PDF\)](#)

General

Product Family	Crimp Terminals
Series	64324
Comments	* Current tested on a fully loaded connector, current for temperature increase of 40°C. Curent max = 21.0A for 2.8mm Terminal (5.0mm ² wire)
Crimp Quality Equipment	Yes
Overview	cmc connectors
Product Name	CP Terminal

Physical

Durability (mating cycles max)	20
Gender	Female
Material - Metal	High Copper
Material - Plating Mating	Gold
Material - Plating Termination	Gold
Packaging Type	Reel
Plating min: Mating (µin)	50.8
Plating min: Mating (µm)	1.27
Termination Interface: Style	Crimp or Compression
Wire Insulation Diameter	2.65mm-3.45mm
Wire Size AWG	N/A
Wire Size mm ²	> 2.0 - 3.0

Electrical

Current - Maximum per Contact	21A
Voltage - Maximum	250V AC

Material Info

Reference - Drawing Numbers

Packaging Specification	PK-98910-001
Sales Drawing	SD-64324-001



image - Reference only

EU RoHS

ELV and RoHS Compliant
REACH SVHC
 Not Reviewed
Halogen-Free Status
 Not Reviewed

China RoHS



Need more information on product environmental compliance?

Email productcompliance@molex.com
 For a multiple part number RoHS Certificate of Compliance, [click here](#)

Please visit the [Contact Us](#) section for any non-product compliance questions.

Search Parts in this Series

[64324Series](#)

Mates With

CMC Connector [64318](#) , [64321](#). CMC Wire Seal [64325](#)

Use With

CMC Connector [64318](#) , [64321](#). CMC Wire Seal [64325](#)

Application Tooling | FAQ

Tooling specifications and manuals are found by selecting the products below. Crimp Height Specifications are then contained in the Application Tooling Specification document.

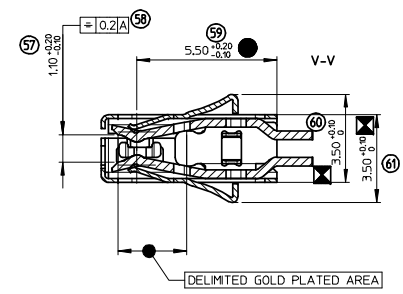
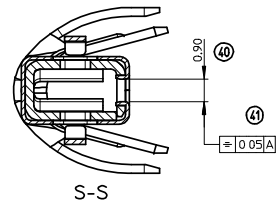
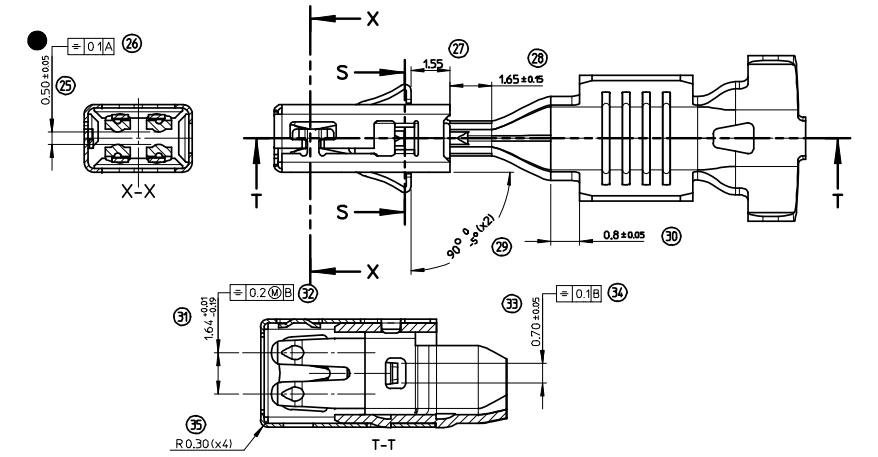
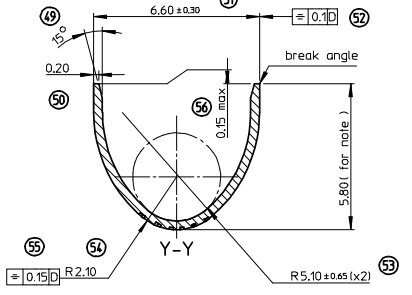
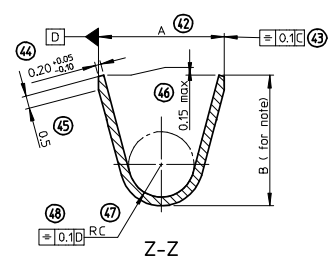
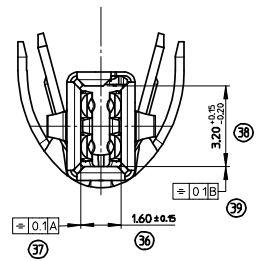
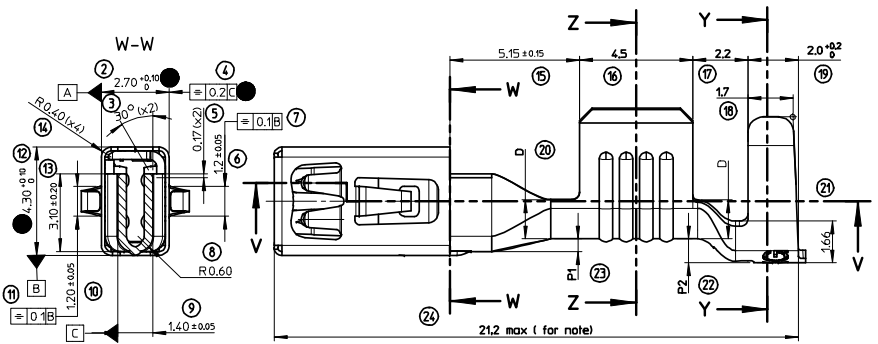
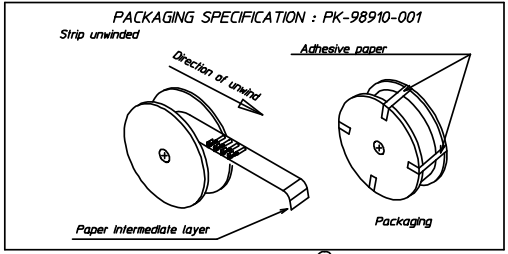
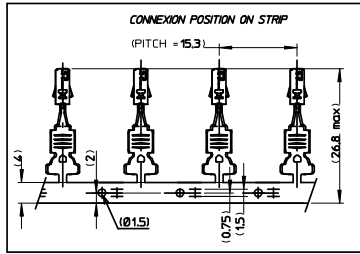
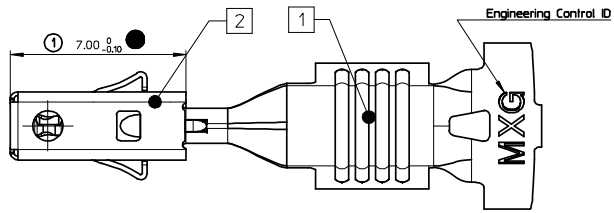
Global

Description	Product #
Hand Crimp Tool for CP 2.8 Receptacle for 2.50-3.00mm Type ID and IR Wire with 2.80mm ²	0638119800

(.110"), CMC Wire	
Seal Receptacle	
Mini-Mac™	<u>0638951000</u>
Applicator CP2.8	
Crimp Terminals	
Extraction Tool	<u>0638132500</u>

This document was generated on 05/19/2010

PLEASE CHECK WWW.MOLEX.COM FOR LATEST PART INFORMATION

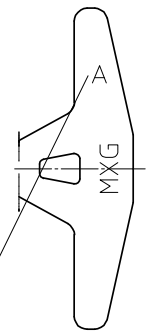


NOTE:
- CRIMPING SPECIFICATION ACCORDING TO CS-64324-001

2	BOX TERMINAL	STAINLESS STEEL thickness : 0.15 mm
1	BODY TERMINAL	HIGH CONDUCTIVITY COPPER ALLOY thickness : 0.35 mm
MARK	DESIGNATION	MATERIAL

MARK	DESIGNATION	MATERIAL	CRIMPING RANGE (mm ²)	A ± 0.2	B	rC ± 0.1	D ± 0.1	P1 ± 0.1	P2 ± 0.1	WEIGHT (g)	Identification
0643241119	Au 1.27μ MINI	Sn Ni	>3 TO 5	5.0	5.2	1.3	1.55	0.5	0.95	0.4902	D
0643241019	Sn	Sn								0.4795	
0643241129	Au 1.27μ MINI	Sn Ni	>2 TO 3	4.1	4.4	1.0	1.45	0.5	0.95	0.4604	C
0643241029	Sn	Sn								0.4470	
0643241139	Au 1.27μ MINI	Sn Ni	>1 TO 2	4.1	3.5	0.9	1.3	0.85 ^{+0.1} _{-0.2}	1.3 ^{+0.1} _{-0.2}	0.4274	B
0643241039	Sn	Sn								0.4191	
0643241149	Au 1.27μ MINI	Sn Ni	0.50 TO 1	2.8	2.6	0.7	1.1	0.85 ^{+0.1} _{-0.2}	1.3	0.3916	A
0643241049	Sn	Sn								0.3815	

crimp range identification



(SKC)	COTES CARACTERISTIQUES SPECIALES
(SKC)	SPECIAL KEY CHARACTERISTICS
(SKC)	INDICATION DIMENSIONS S.P.C
(SKC)	DENOTES S.P.C DIMENSIONS
(SKC)	INDICATION DIMENSIONS CRITIQUES
(SKC)	DENOTES CRITICAL DIMENSIONS
(SKC)	INDICATION DIMENSIONS FONCTIONNELLES
(SKC)	DENOTES FUNCTIONAL DIMENSIONS
(SKC)	QUANTITE PAR FEUILLE INDIVIDUELLE
(SKC)	QUANTITY PER INDIVIDUAL SHEET
(SKC)	2 0 6 (SKC) 0

Revised Dwg ECL NO: 62008-0440 DRAWN: JULIO 2008/05/19 CHKD: FPAROLARI 2008/05/19 APPR: LSTICKEIR 2008/05/19	GENERAL TOLERANCES (UNLESS SPECIFIED)	DIMENSION STYLE	SCALE	DESIGN UNITS	FIRST ANGLE PROJECTION
	mm INCH	MM ONLY	10:1	METRIC	CP RCPT TRM 2.8
	4 PLACES ± --- ± --- 3 PLACES ± --- ± --- 2 PLACES ± 0.10 ± --- 1 PLACE ± 0.1 ± ---	DRAWN BY DATE V GUERIN 2007/11/07	CHECKED BY DATE F PAROLARI 2007/11/07	MOLEX INCORPORATED	
ANGULAR ± 2°	APPROVED BY DATE LSTICKEIR 2007/11/07	MATERIAL NO.	DOCUMENT NO.	SHEET NO.	
DRAFT WHERE APPLICABLE MUST REMAIN WITHIN DIMENSIONS	SEE CHART	SD-64324-001		1 OF 1	
THIS DRAWING CONTAINS INFORMATION THAT IS PROPRIETARY TO MOLEX INCORPORATED AND SHOULD NOT BE USED WITHOUT WRITTEN PERMISSION					