

PLEASE CHECK WWW.MOLEX.COM FOR LATEST PART INFORMATION

Part Number: **0643194218**
Status: **Active**
Overview: cmc connectors
Description: .635mm (.025"), 1.50mm (.059"), CMC Receptacle, 24 Circuits, Right Wire Output, Gray Coding, Mat Sealed, Row 4 Closed

Documents:

[3D Model](#) [Application Specification \(PDF\)](#)
[Drawing \(PDF\)](#) [RoHS Certificate of Compliance \(PDF\)](#)

General

Product Family	Crimp Housings
Series	64319
Comments	* Current tested on a 5 terminals loaded connector, current for temperature increase of 40°C . Current max = 6.0A for 0.635mm Terminal (0.75mm ² wire) and 12.0A for 1.5mm Terminal (2.0mm ² wire) *
More Detailed Tech Information	Sealed, high-density, modular connecting system for Power Train and Body Electronics applications in cars, trucks, busses
Overview	<u>cmc connectors</u>
Product Name	CMC

Physical

Circuits (maximum)	24
Circuits Detail	6 x 1.5mm, 18 x 0.635mm terminals
Color - Resin	Gray
Gender	Female
Glow-Wire Compliant	No
Keying to Mating Part	Yes
Lock to Mating Part	Yes
Material - Resin	Polyester
Number of Rows	3
Packaging Type	Carton
Panel Mount	No
Pitch - Mating Interface (in)	0.100 In, 0.146 In
Pitch - Mating Interface (mm)	2.54 mm, 3.70 mm
Polarized to Mating Part	Yes
Stackable	No
Temperature Range - Operating	-40°C to +125°C

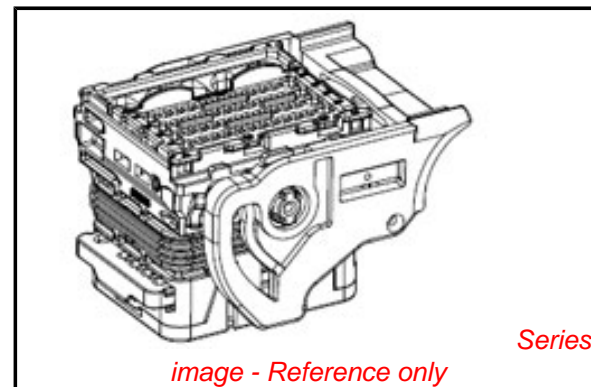
Electrical

Current - Maximum per Contact	12A, 6A
-------------------------------	---------

Material Info

Reference - Drawing Numbers

Packaging Specification	PK-64319-001
Sales Drawing	SD-64319-003



EU RoHS

ELV and RoHS Compliant
REACH SVHC
 Not Reviewed
Halogen-Free Status
 Not Reviewed

China RoHS



Need more information on product environmental compliance?

Email productcompliance@molex.com
 For a multiple part number RoHS Certificate of Compliance, [click here](#)

Please visit the [Contact Us](#) section for any non-product compliance questions.

Search Parts in this Series

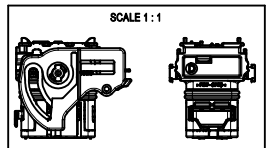
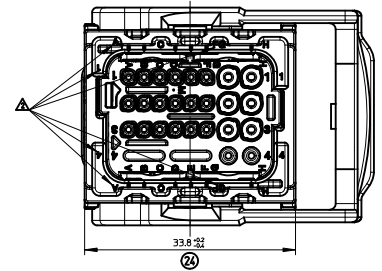
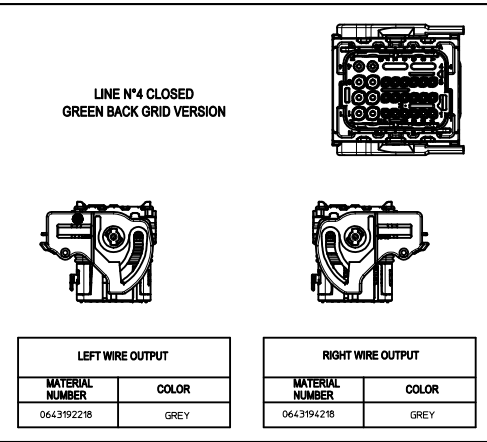
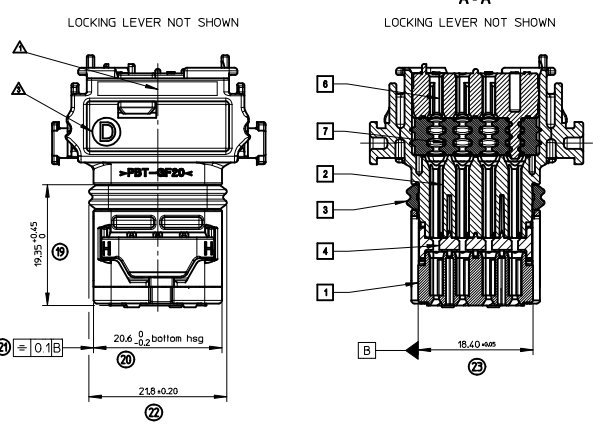
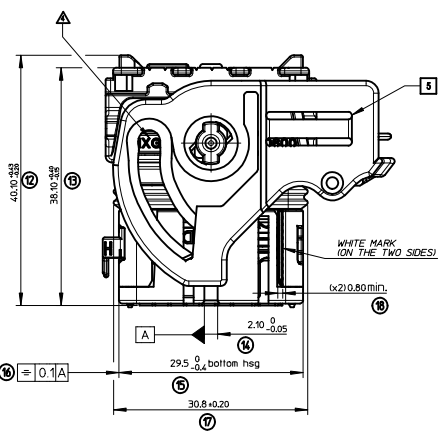
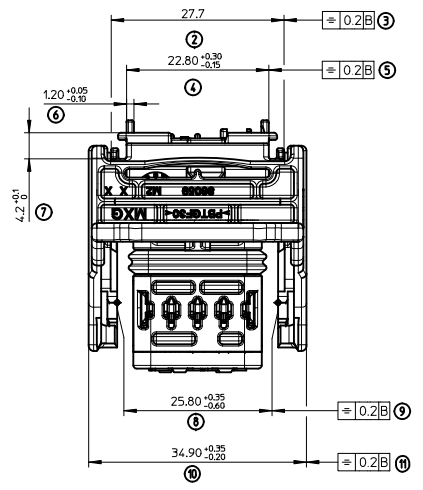
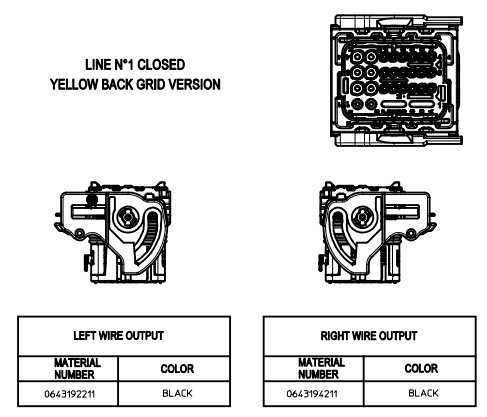
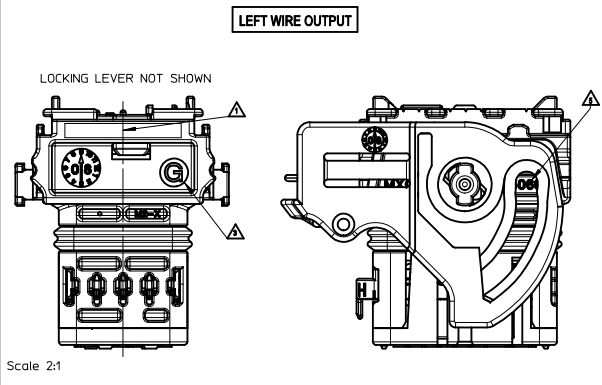
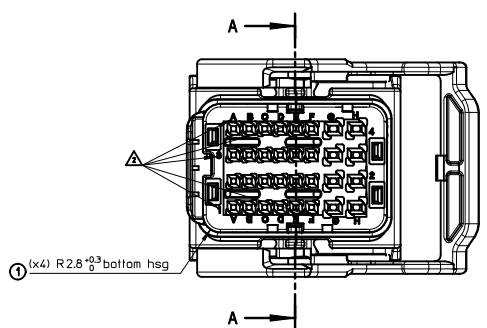
64319Series

Mates With

Single 32 Circuit CMC Header - Please Contact Molex

Use With

CMC CP Terminals [64322](#) , [64323](#). CMC Wire Cap [643191201](#). Sealing Plugs [643251010](#) , [643251023](#)



NOTES:

- 1-FOR ILLUSTRATION PURPOSE THE FEMALE HOUSING SHOWN IS THE RIGHT WIRE OUTPUT VERSION CODING 1
- 2-APPLICATION SPECIFICATION: AS-64319-001
- 3-WIRES EXTERNAL DIAMETER USED: FOR CP0.6 TERMINAL: USE WIRES WITH AN EXTERNAL DIAMETER BETWEEN Ø1.25MM MIN AND Ø1.90MM MAX FOR CP1.5 TERMINAL: USE WIRES WITH AN EXTERNAL DIAMETER BETWEEN Ø1.00MM MIN AND Ø2.80MM MAX
- 4-THE CONNECTOR FITS WITH WIRE CAP (32 WAY) MOLEX P/N 0643191201
- 5-BLIND PLUG FOR 0.6 AND 1.5 CAVITIES (MOLEX P/N 0643251010 AND 0643251023) MUST BE USED ON THIS PART.
- 6-DELIVERED PRODUCT WEIGHT: 27.6 g

POS.	DESIGNATION	MATERIAL	COLOR
7	MAT SEAL	Silicon	GREEN
8	BACK GRID 24W	>PBT-GF20<	COLOR LINKED TO LINE CLOSED
9	LOCKING LEVER 32W	>PBT-GF30<	BLACK
4	SECONDARY LOCK	>PBT-GF20<	GREEN
5	PERIPHERAL SEAL 32W	Silicon	BLUE
2	BACK PART	>PBT-GF20<	BLACK
1	FRONT PART	>PBT-GF20<	COLOR LINKED TO KEYING

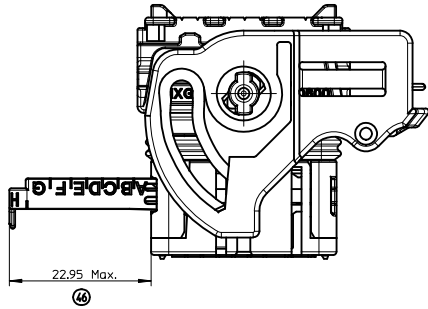
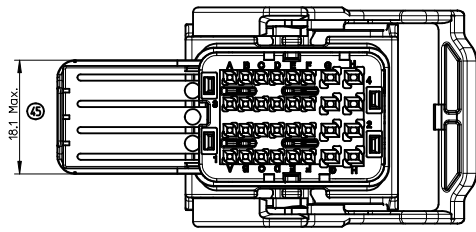
MARKINGS:

- △ - Assembled part Iracability: Day + Year
- △ - Terminal cavities identification
- △ - Lever position indicator: "D" LETTER VISIBLE = part with "LEVER ON THE RIGHT" "G" LETTER VISIBLE = part with "LEVER ON THE LEFT"
- △ - Supplier identification
- △ - Material identification

UPDATED DRAWING EC NO: 2009/06/04 DRIVINGESBRIERRES CHIKDIE-BOUCHAN APPR:	GENERAL TOLERANCES (UNLESS SPECIFIED) mm INCH 4 PLACES ± --- ± --- 3 PLACES ± --- ± --- 2 PLACES ± 0.1 ± --- 1 PLACE ± 0.1 ± --- ANGULAR ± 2 °		DIMENSION STYLE MM ONLY	SCALE 2.5:1	DESIGN UNITS METRIC	FIRST ANGLE PROJECTION
	DRAWN BY: T. BADAROUX DATE: 2008/05/23 CHECKED BY: P. GRANDCLAUD DATE: 2008/05/23 APPROVED BY: C. BOUCHAN DATE: 2008/05/23		TITLE CMC CONNECTOR 24 WAY MAT SEAL VERSION		MATERIAL NO. 064319-003 DOCUMENT NO. SD-64319-003	
	DRAFT WHERE APPLICABLE MUST REMAIN WITHIN DIMENSIONS		SEE SHEET 2		SHEET NO. 1 OF 2	
	THIS DRAWING CONTAINS INFORMATION THAT IS PROPRIETARY TO MOLEX INCORPORATED AND SHOULD NOT BE USED WITHOUT WRITTEN PERMISSION					

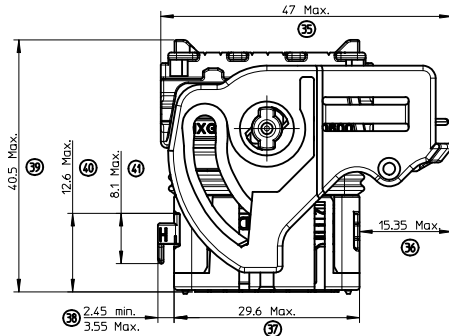
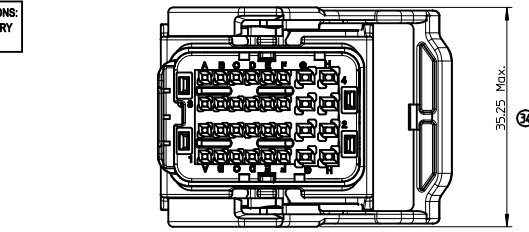
CONNECTOR OVERALL DIMENSIONS:
SECONDARY LOCKING FULLY OPENED
FOR TERMINALS INSERTION

RIGHT WIRE OUTPUT

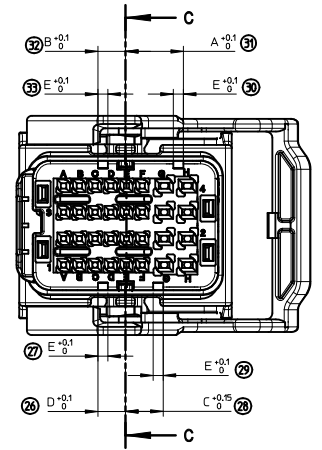


CONNECTOR OVERALL DIMENSIONS:
SECONDARY LOCKING IN DELIVERY
POSITION

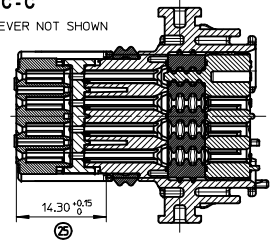
RIGHT WIRE OUTPUT



CODING POSITION

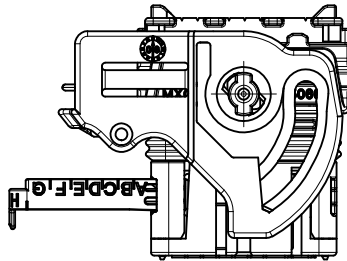
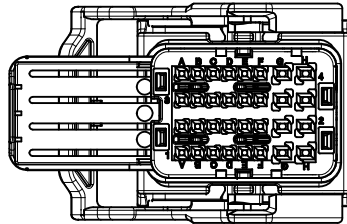


C-C
LOCKING LEVER NOT SHOWN



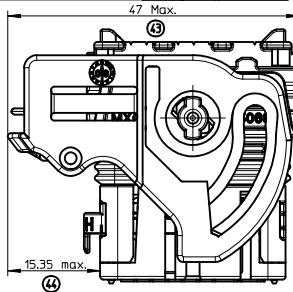
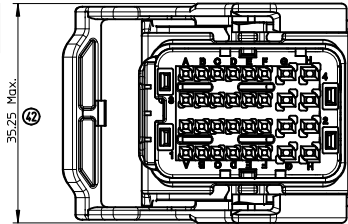
CONNECTOR OVERALL DIMENSIONS:
SECONDARY LOCKING FULLY OPENED
FOR TERMINALS INSERTION

LEFT WIRE OUTPUT



CONNECTOR OVERALL DIMENSIONS:
SECONDARY LOCKING IN DELIVERY
POSITION

LEFT WIRE OUTPUT



COLOR	CODING	A	B	C	D	E
BLACK	1	9.2	4.4	6	4.4	1.6
GREY	2	7.6	6	9.2	6	1.6
BROWN	3	6	7.6	9.2	9.2	1.6
BLUE	5	4.4	7.6	6	6	1.6

TERMINALS USED

CAVITY #	FEMALE TERMINALS (Section mm2)	PLATING	MOLEX P/N	min / MAX WIRE INSULATION DIAMETER (mm)
A1 to F1 A2 to F2 A3 to F3 A4 to F4	CP 0.6 0.35mm2	Tin plated	0643221019	Ø125 min / Ø140 Max
		Gold plated	0643221229	
	CP 0.6 0.5mm2	Tin plated	0643221039	Ø140 min / Ø170 Max
		Gold plated	0643221239	
G1 to H4 G1 to H4	CP 0.6 0.75mm2	Tin plated	0643221029	Ø160 min / Ø190 Max
		Gold plated	0643221219	
	CP 15 0.5mm2 to 1mm2	Tin plated	0643231029	Ø140 min / Ø215 Max
		Gold plated	0643231319	
	CP 15 >1mm2 to 2mm2	Tin plated	0643231039	Ø210 min / Ø280 Max
		Gold plated	0643231219	

UPDATED DRAWING

EC NO: 02
DRAWING DESIGNED BY: 2009/06/04
CHKD BY: CHKDC. BOUCHAN
APPR: [REDACTED]

DESCRIPTION

GENERAL TOLERANCES
(UNLESS SPECIFIED)

	mm	INCH
4 PLACES	± 0.1	± 0.004
3 PLACES	± 0.15	± 0.006
2 PLACES	± 0.2	± 0.008
1 PLACE	± 0.3	± 0.012
ANGULAR ± 2°		

DRAFT WHERE APPLICABLE
MUST REMAIN
WITHIN DIMENSIONS

DIMENSION STYLE
MM ONLY

DRAWN BY: T. BADAROUX
DATE: 2008/05/23
CHECKED BY: [REDACTED]
DATE: [REDACTED]
APPROVED BY: C. BOUCHAN
DATE: 2008/05/23

SEE SHEET 2/3

SCALE
2.5:1

DESIGN UNITS
METRIC

DOCUMENT NO.
SD-64319-003

FIRST ANGLE
PROJECTION

TITLE
CMC CONNECTOR 24 WAY
MAT SEAL VERSION

MOLEX INCORPORATED

SHEET NO.
2 OF 2