

PLEASE CHECK WWW.MOLEX.COM FOR LATEST PART INFORMATION

Part Number: [0474910002](#)
Status: **Active**
Overview: [micro_usb](#)
Description: 0.65mm (.026") Pitch Micro-USB B Receptacle, Mid-Mount, SMT, Nickel Plated Shell, Lead Free

Documents:

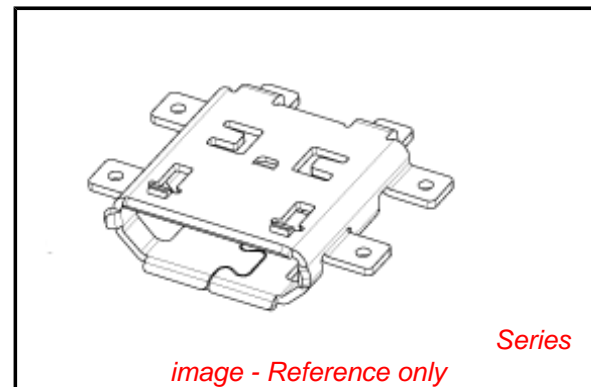
[3D Model](#) [RoHS Certificate of Compliance \(PDF\)](#)
[Drawing \(PDF\)](#)

General

Product Family	I/O Connectors
Series	47491
Application	Wire-to-Board
Comments	Mid Mount Type
Component Type	Receptacle
Overview	micro_usb
Product Name	Micro-USB
Type	B
Physical	
Boot Color	N/A
Circuits (Loaded)	5
Circuits (maximum)	5
Color - Resin	Black
Gender	Male
Keying to Mating Part	Yes
Lock to Mating Part	Yes
Material - Metal	Copper Alloy
Material - Plating Mating	Gold
Material - Plating Termination	Gold
Material - Resin	High Temperature Thermoplastic
Number of Rows	1
Orientation	Right Angle
PCB Locator	No
PCB Retention	Yes
Packaging Type	Embossed Tape on Reel
Panel Mount	No
Pitch - Mating Interface (in)	0.026 In
Pitch - Mating Interface (mm)	0.65 mm
Pitch - Term. Interface (in)	0.026 In
Pitch - Term. Interface (mm)	0.65 mm
Plating min: Mating (µin)	2
Plating min: Mating (µm)	0.05
Plating min: Termination (µin)	2
Plating min: Termination (µm)	0.05
Polarized to Mating Part	Yes
Polarized to PCB	Yes
Ports	1
Surface Mount Compatible (SMC)	Yes
Temperature Range - Operating	-20°C to +85°C
Termination Interface: Style	Surface Mount
Waterproof / Dustproof	No

Electrical

Current - Maximum per Contact 1.8A, 1A



EU RoHS

ELV and RoHS Compliant
REACH SVHC
 Not Reviewed
Halogen-Free Status
 Not Reviewed

China RoHS



Need more information on product environmental compliance?

Email productcompliance@molex.com
 For a multiple part number RoHS Certificate of Compliance, [click here](#)

Please visit the [Contact Us](#) section for any non-product compliance questions.

Search Parts in this Series

[47491Series](#)

Mates With

[68784](#) Micro-USB Cable Plugs

Grounding to Panel	Yes
Shield Type	Full Shield
Shielded	Yes
Voltage - Maximum	100V AC (RMS)

Material Info

Reference - Drawing Numbers

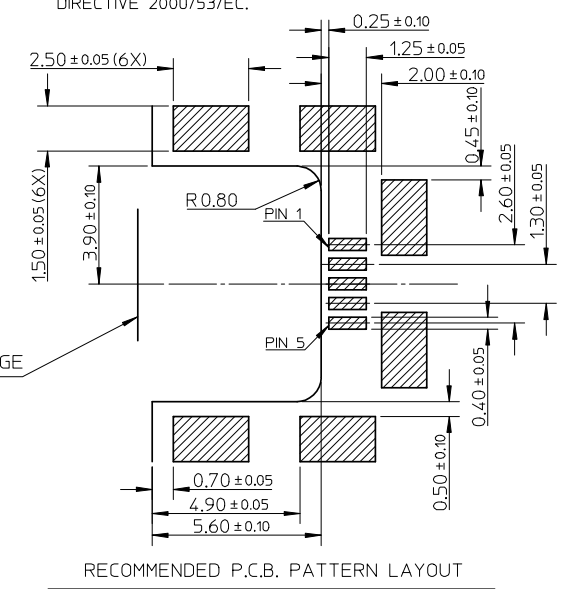
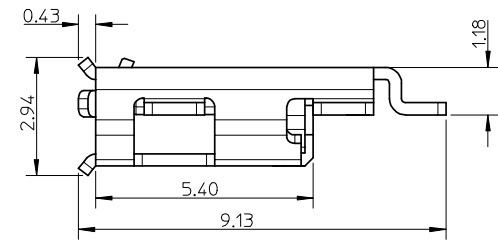
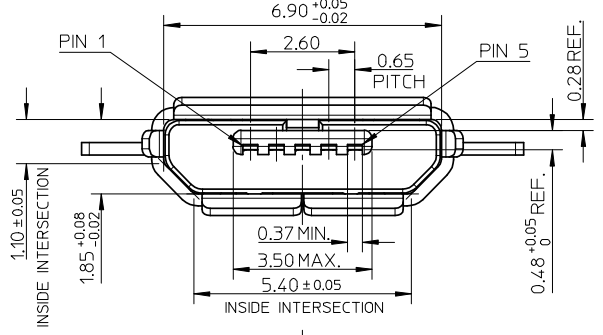
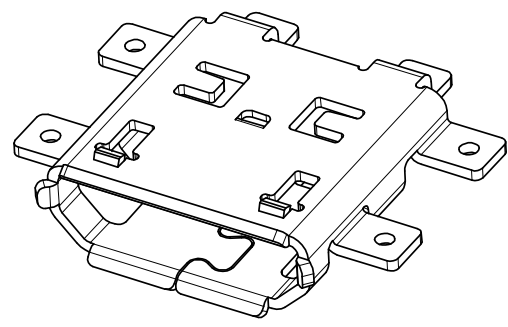
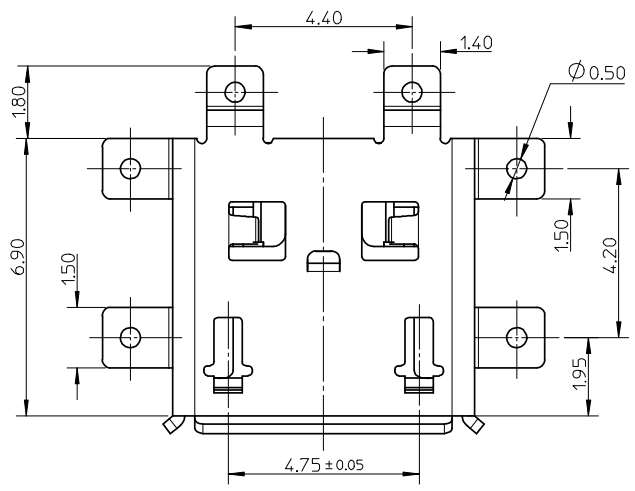
Packaging Specification	PK-47491-001
Sales Drawing	SD-47491-001

This document was generated on 05/19/2010

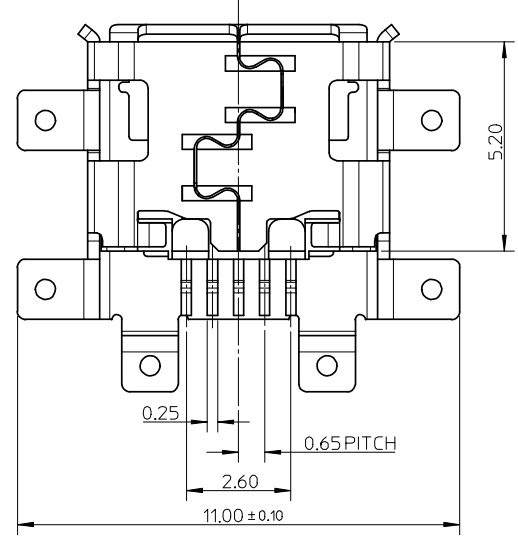
PLEASE CHECK WWW.MOLEX.COM FOR LATEST PART INFORMATION

NOTE :

- MATERIAL :
HOUSING : LCP, BLACK, UL94V-0
TERMINAL : COPPER ALLOY THICKNESS = 0.15 MM
SHIELD CASE : STAINLESS STEEL THICKNESS = 0.30 MM
- PLATING :
TERMINAL:
CONTACT AREA : GOLD FLASH OVER MINIMUM 0.75 MICRON Pd/Ni.
SOLDER TAIL AREA : GOLD FLASH.
UNDER PLATING : NICKEL 2.0 MICRON MINIMUM.
SHIELD :
OPTION 1 : MATTE TIN 3.8 MICRON MINIMUM.
UNDER PLATING : NICKEL 1.27 MICRON MINIMUM.
OPTION 2 : NICKEL 1.25 MICRON MINIMUM
- TAIL & NAIL COPLANARITY 0.08 mm MAXIMUM.
- PACKAGING SPECIFICATION : PK-47491-001
- PRODUCT SPECIFICATION : RPS-47491-***
- COMPLIANT TO RoHS DIRECTIVE 2002/95/EC AND ELV DIRECTIVE 2000/53/EC.



SHELL PLATING OPTION 1	47491-0001
SHELL PLATING OPTION 2	47491-0002



REVISE EC NO: SH2008-0650 DRWN: CWTANG CHKD: XJSONG APPR: HWANG	DESCRIPTION 2008/06/30 2008/07/24	QUALITY SYMBOLS ▽=0 ∇=0	GENERAL TOLERANCES (UNLESS SPECIFIED)		DIMENSION STYLE MM ONLY		SCALE 8:1	DESIGN UNITS METRIC	THIRD ANGLE PROJECTION	
			mm	INCH	DRAWN BY XJSONG	DATE 2006/04/28	TITLE MICRO USB B REC. MIDDLE MOUNT ASS'Y			
			4 PLACES ± ---	± ---	CHECKED BY IWANG	DATE 2006/04/28	APPROVED BY JNCHEN			
			3 PLACES ± ---	± ---	MATERIAL NO. SEE CHART	DATE 2006/04/28	DOCUMENT NO. SD-47491-001			
			2 PLACES ± 0.25	± ---	ANGULAR ± 3 °		MOLEX INCORPORATED		SHEET NO. 1 OF 1	
			1 PLACE ± 0.25	± ---	DRAFT WHERE APPLICABLE MUST REMAIN WITHIN DIMENSIONS		THIS DRAWING CONTAINS INFORMATION THAT IS PROPRIETARY TO MOLEX INCORPORATED AND SHOULD NOT BE USED WITHOUT WRITTEN PERMISSION			