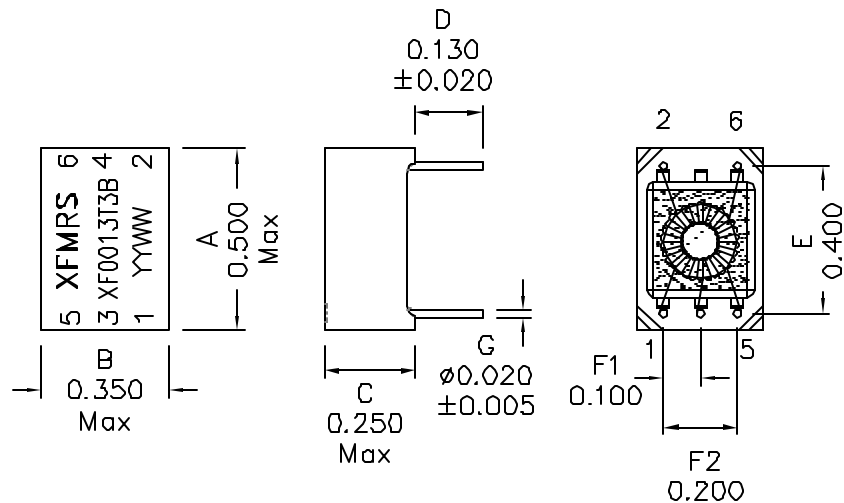
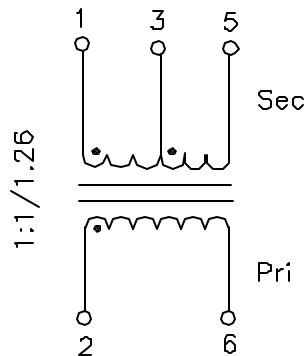


1. Dimensions:



2. Schematic:



3. Electrical Specifications: @25°C

Isolation Voltage: 1500Vrms (PRI/SEC)
 Turns Ratio: (P2-6:P3-5)=1:1,(P2-6:P1-5)=1:1.26 ±5%
 PRI OCL: 1.5mH Minimum @100KHz 50mV
 PRI Q: 8 Minimum @10KHz 50mV
 PRI LL: 0.80uH Maximum @100KHz 50mV (SEC Shorted)
 Cw/w: 50pF Maximum @100KHz 50mV (PRI/SEC)
 PRI DCR: 0.90 Ohms Maximum
 SEC DCR: 1.10 Ohms Max

Notes:

1. Solderability: Leads shall meet MIL-STD-202C, Method 208H for solderability.
2. Flammability: UL94V-0
3. ASTM oxygen index: > 28%
4. Insulation System: Class F 155°C. UL file E151556
5. Operating Temperature Range: All listed parameters are to be within tolerance from 0°C to +85°C
6. Storage Temperature Range: -55°C to +125°C
7. Aqueous wash compatible
8. Electrical and mechanical specifications 100% tested
9. RoHS Compliant Component
10. Pin 4 is removed.

DOC. REV B/2

PROPRIETARY

Document is the property of XFMRs Group & is not allowed to be duplicated without authorization.

XFMRs Inc www.XFMRs.com		Title: T1/CEPT/DS1 MAGNETICS TRANSFORMERS	
UNLESS OTHERWISE SPECIFIED TOLERANCES: .xxx ±0.010 Dimensions in Inch	P/N: XF0013T3B		REV. B
	DWN.	Xian Yi	Sep-25-09
	CHK.	YK Liao	Sep-25-09
SHT 1 OF 1	APP.	Joe Huff	Sep-25-09