

PLEASE CHECK WWW.MOLEX.COM FOR LATEST PART INFORMATION

Part Number: [1301750016](#)
Status: **Active**
Description: Aero-Motive® Heavy Duty Retractors, Weight Range 1-5 lbs with Ratchet Lock

Documents:

[Drawing \(PDF\)](#) [RoHS Certificate of Compliance \(PDF\)](#)

General

Product Family	Tool Supports
Series	130175
Duty	Heavy
Insulated	No
Product Name	Aero-Motive®
Type	Retractors
Woodhead	Yes

Physical

Cable Diameter	2.38mm (.094")
Cable Length	2.40m (7.87')
Cable Movement	Constant Ratchet On/Off
Drum Lock	None
Material - Housing	Steel
Material - Wheel	Steel
Mounting Style	Hanging
Packaging Type	Individual Carton
Travel Distance	2.40m (8.0')
Weight Range	0.5-2.3kg (1.0-5.0 lb)
Wire/Cable Type	Stranded Steel Aircraft Cable

Material Info

Old Part Number 5FLR

Reference - Drawing Numbers

Sales Drawing SD-130175-003



image - Reference only

EU RoHS

China RoHS

RoHS Compliance

Not Required

REACH SVHC

Not Reviewed

Halogen-Free

Status

Not Reviewed

Need more information on product environmental compliance?

Email productcompliance@molex.com
 For a multiple part number RoHS Certificate of Compliance, [click here](#)

Please visit the [Contact Us](#) section for any non-product compliance questions.

Search Parts in this Series

[130175Series](#)

10

9

8

7

6

5

4

3

2

1

F

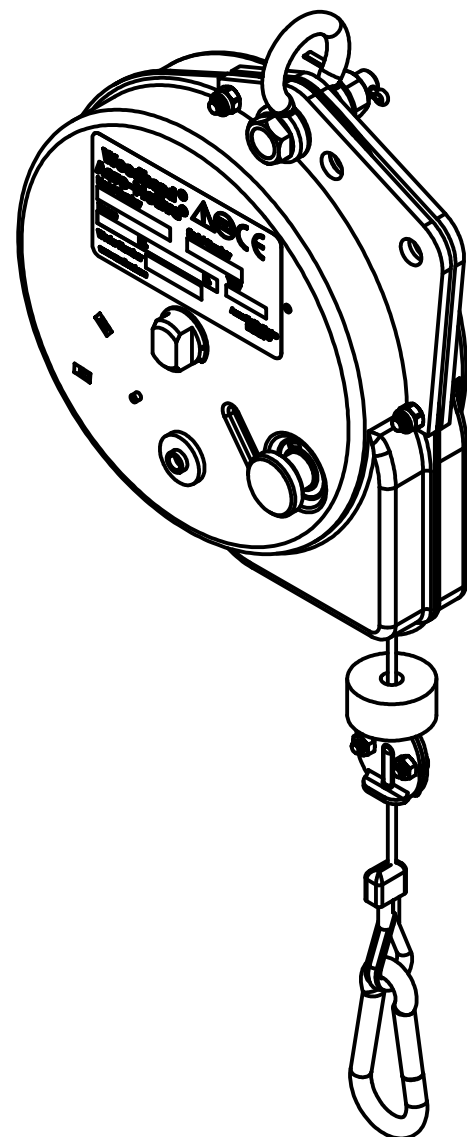
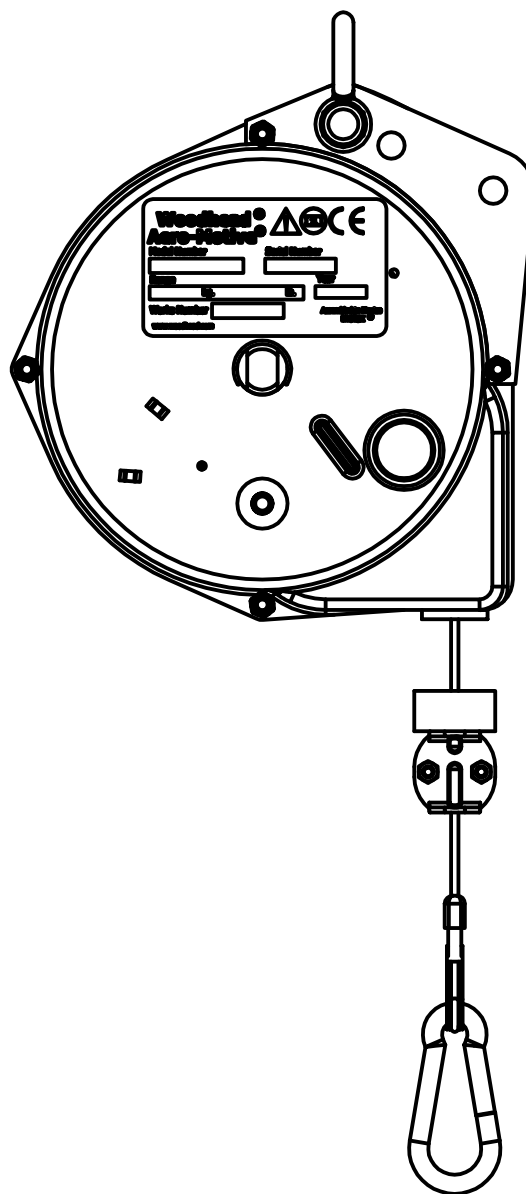
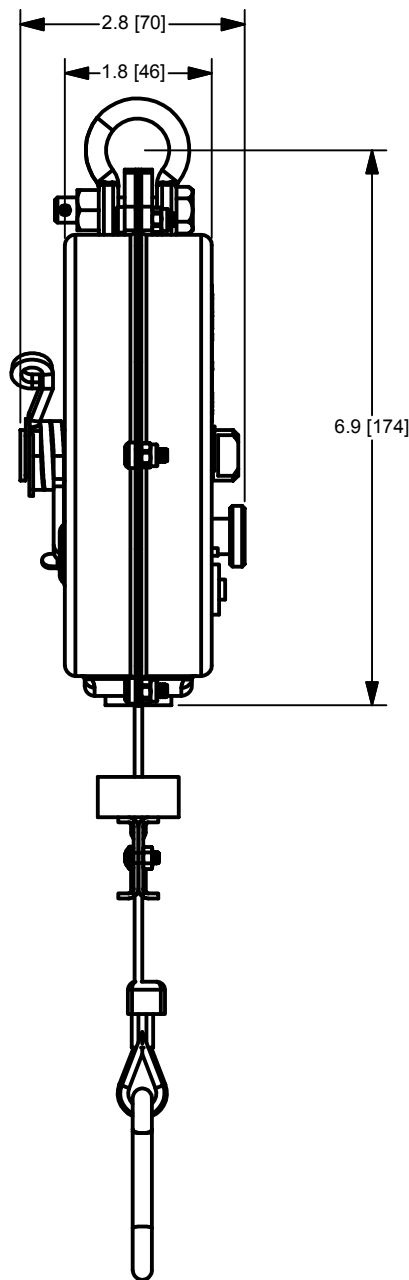
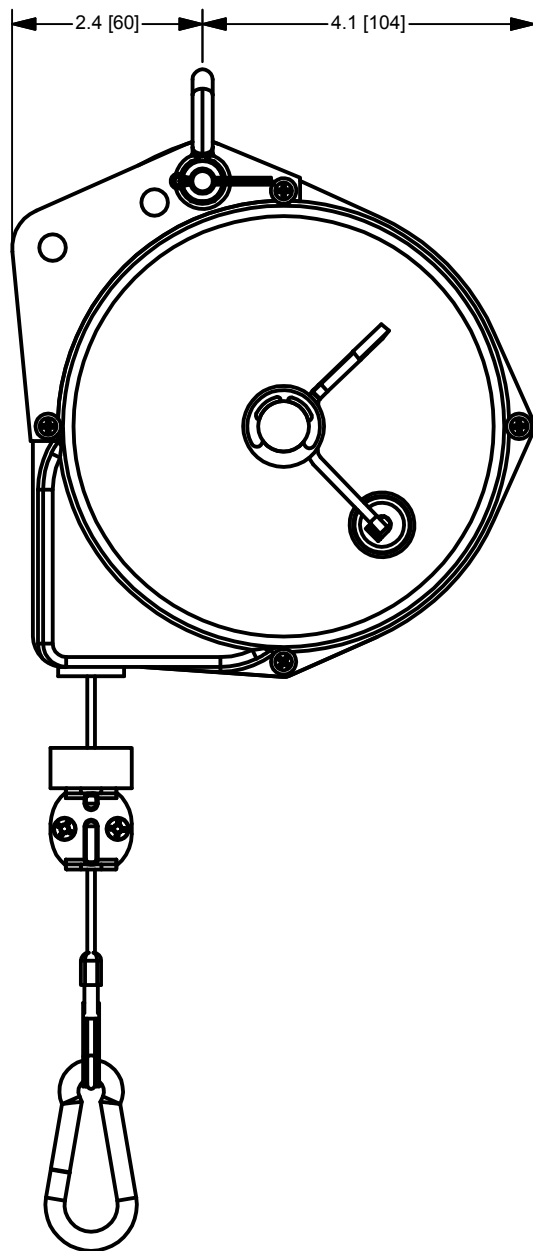
E

D

C

B

A



F

E

D

C

B

A

NOTES:

1. RETRACTORS ARE 100% INSPECTED & PRE-TENSIONED AT FACTORY.
2. STEEL HOUSINGS HAVE A POWDER COATED FINISH TO MEET HARSH INDUSTRIAL ENVIRONMENTS.
3. ALWAYS READ INSTRUCTIONS MANUAL BEFORE USING RETRACTORS.
4. RETRACTORS ARE NOT TO BE USED AS BALANCERS THEIR MAIN PURPOSE BEING TO RETRACT A LOAD AND NOT TO BALANCE ONE.
5. STANDARD RETRACTORS DO NOT COME EQUIPPED WITH A SAFETY CHAIN. IF APPLICATION REQUIRES A SAFETY CHAIN ADD "SC" SUFFIX TO STANDARD PART NUMBER. EXAMPLE 5FLRSC.
6. WHEN MOUNTING RETRACTOR, ALWAYS MAKE SURE THAT SAFETY PIN WHICH COMES WITH SHACKLE IS INSTALLED & SECURED.
7. TURN KNOB IS TO BE ENGAGED BY "HAND ONLY". NO TOOLS ARE BE USED TO TURN KNOB. MOVE LOAD UP & DOWN TO ENGAGE KNOB.

ALL DIMENSIONS ARE FOR REFERENCE ONLY.

RELEASE TO SALES EC NO: WNA2009-0423 DRWN: RHOTCA CH'KD: DT APPR: DITLUS	9/17/09 2009/09/17 2009/09/25	DESCRIPTION REV	QUALITY SYMBOLS ▽=0 ▽=0	GENERAL TOLERANCES (UNLESS SPECIFIED)		DIMENSION STYLE IN/MM		SCALE NTS	DESIGN UNITS INCH	THIRD ANGLE PROJECTION		
				mm	INCH	DRAWN BY	DATE	TITLE				
			4 PLACES	±NA	±NA	RH	2009/09/17	5FLR SERIES OF RETRACTORS GENERAL INFORMATION MOLEX INCORPORATED				
			3 PLACES	±NA	±NA	DT	2009/09/17					
	2 PLACES	±NA	±NA	APPROVED BY	DATE	MATERIAL NO.		DOCUMENT NO.		SHEET NO.		
	1 PLACE	±NA	±NA	DTITUS	2009/09/24	SEE TABLE		SD-130175-003		1 OF 2		
DRAFT WHERE APPLICABLE MUST REMAIN WITHIN DIMENSIONS				ANGULAR ±---°		THIS DRAWING CONTAINS INFORMATION THAT IS PROPRIETARY TO MOLEX INCORPORATED AND SHOULD NOT BE USED WITHOUT WRITTEN PERMISSION						

10

9

8

7

6

5

4

3

2

1

10

9

8

7

6

5

4

3

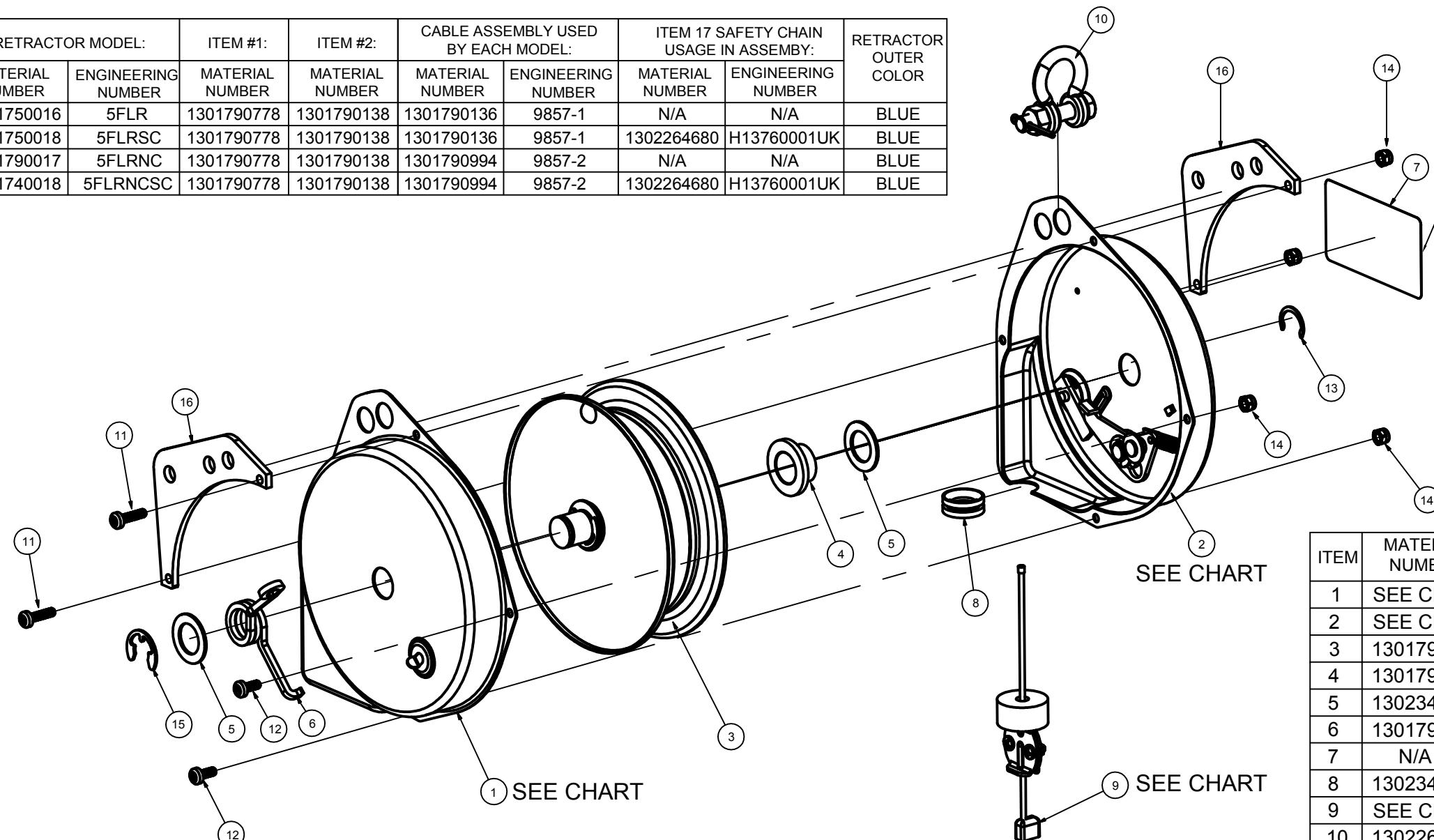
2

1

RETRACTOR MODEL:		ITEM #1:	ITEM #2:	CABLE ASSEMBLY USED BY EACH MODEL:		ITEM 17 SAFETY CHAIN USAGE IN ASSEMBY:		RETRACTOR OUTER COLOR
MATERIAL NUMBER	ENGINEERING NUMBER	MATERIAL NUMBER	MATERIAL NUMBER	MATERIAL NUMBER	ENGINEERING NUMBER	MATERIAL NUMBER	ENGINEERING NUMBER	
1301750016	5FLR	1301790778	1301790138	1301790136	9857-1	N/A	N/A	BLUE
1301750018	5FLRSC	1301790778	1301790138	1301790136	9857-1	1302264680	H13760001UK	BLUE
1301790017	5FLRNC	1301790778	1301790138	1301790994	9857-2	N/A	N/A	BLUE
1301740018	5FLRNCSC	1301790778	1301790138	1301790994	9857-2	1302264680	H13760001UK	BLUE

THIS LABEL IS DEPENDENT ON THE PLANT WHERE RETRACTOR IS BUILD & CUSTOMER THAT IS BUILT FOR. THUS POLAND PLANT WILL USE ONLY "ASSEMBLED IN POLAND" AND MEXICO PLANT WILL USE ONLY "ASSEMBLED IN MEXICO". CONTACT PLANT FOR SPECIFIC ITEM NUMBERS FOR THESE LABELS.

LOAD CAPACITY CHART:			
RETRACTOR MODEL:		EACH RETRACTOR IS 100% TESTED UNDER THIS WEIGHT:	
MATERIAL NUMBER	ENGINEERING NUMBER	IN LBS:	IN KGS:
1301750016	5FLR	5	2.3
1301750017	5FLRNC	5	2.3



ITEM	MATERIAL NUMBER	ENGINEERING NUMBER	ITEM DESCRIPTION
1	SEE CHART	SEE CHART	5FLR HSNG SPRING SIDE - POWDER XX
2	SEE CHART	SEE CHART	5FLR HSNG PLAIN SIDE - POWDER XX
3	1301790141	9883	ASSY SPRING & CABLE DRUM FOR 5FLR
4	1301790130	9806	CABLE DRUM SPACER
5	1302344673	14099	WASHER -.63 I.D.x.88 O.D.x.02 W - BZP
6	1301790017	13611	TENSION LOCK SPRING
7	N/A	N/A	RECTANGULAR WHITE GLOBAL LABEL
8	1302344666	13613	GUIDE - CABLE OUTLET
9	SEE CHART	SEE CHART	ASSY CABLE FOR 5FLR SEE CHART
10	1302264648	1240-P-10	TOP SHACKLE ASSY WITH SAFETY PIN
11	1302344711	AG14613	SCREW M4X16Lg Posi PHEAD BZP
12	1302344710	AG14612	SCREW M4X10LG Posi PHEAD BZP
13	1302344690	580-P-35	EXTERNAL CIRCLIP 0.625" SHAFT
14	1302344713	AG14615	M4 NYLOC NUT
15	1302344704	AG10310	RET RING-ANDERTON N1500-62:BZP
16	1302261716	M62730003	HANGER BRACKET - 5F BALANCER
17	SEE CHART	SEE CHART	SAFETY CABLE - SEE CHART

SAFETY CABLE ASSEMBLY FOR 5FLRSC SERIES OF RETRACTORS

MATERIAL NUMBER	ENGINEERING NUMBER
1302264680	H13760001UK

RELEASE TO SALES EC NO: WNA2009-0423 DRWN: RHOTCA CHKD: DT APPR: DITUS	9/17/09 2009/09/17 2009/09/25	QUALITY SYMBOLS ▽=0 ▽=0	GENERAL TOLERANCES (UNLESS SPECIFIED)		DIMENSION STYLE IN/MM		SCALE	DESIGN UNITS	THIRD ANGLE PROJECTION
			mm	INCH	NTS	INCH			
			4 PLACES	±NA	±NA	DRAWN BY	DATE	TITLE	
			3 PLACES	±NA	±NA	RH	2009/09/17	5FLR SERIES OF RETRACTORS GENERAL INFORMATION	
2 PLACES	±NA	±NA	CHECKED BY	DATE					
1 PLACE	±NA	±NA	DT	2009/09/17					
ANGULAR ±---°			APPROVED BY	DATE					
DRAFT WHERE APPLICABLE MUST REMAIN WITHIN DIMENSIONS			DTITUS	2009/09/24					
			MATERIAL NO.	SEE TABLE					
			SIZE	B					
			THIS DRAWING CONTAINS INFORMATION THAT IS PROPRIETARY TO MOLEX INCORPORATED AND SHOULD NOT BE USED WITHOUT WRITTEN PERMISSION						
			DOCUMENT NO.		SD-130175-003				
			SHEET NO.		2 OF 2				

10

9

8

7

6

5

4

3

2

1