

PLEASE CHECK WWW.MOLEX.COM FOR LATEST PART INFORMATION

Part Number: [130060017](#)
Status: **Active**
Overview: [minichange_products](#)
Description: Mini-Change® MPIS, 3 Pole Female, 8 Ports with 10 Pole Male Connector

Documents:

[Drawing \(PDF\)](#) [RoHS Certificate of Compliance \(PDF\)](#)

Agency Certification

CSA LR6837

General

Product Family Passive Distribution Boxes
 Series [130060](#)
 IP Rating IP67
 NEMA Rating NEMA 6
 Overview [minichange_products](#)
 Product Name Mini-Change®

Physical

Bus I/O Mini-Change®
 Cable Connector Orientation Straight
 Cable Length N/A
 Home Run Cable Length N/A
 Home Run Connector Mini-Change® - 10 pole
 Home Run Interface N/A
 Keyway Single
 LED Indicator No
 Material - Cable Jacket N/A
 Material - Housing PBT
 Material - Metal Copper Alloy
 Material - Plating Mating Gold over Nickel
 Orientation Side Mount
 Poles 3
 Poles (wired) 3
 Ports 8
 Temperature Range - Operating -25°C to +90°C
 Wiring Configuration Single I/O per Port

Electrical

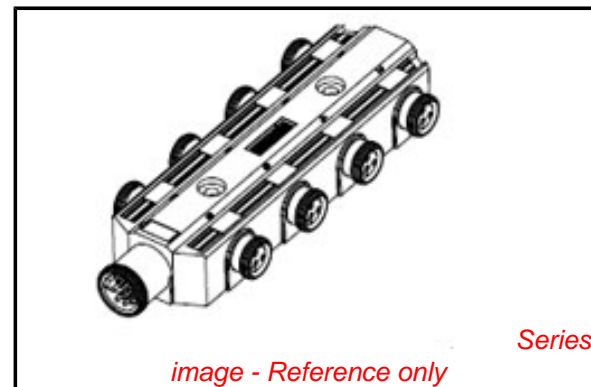
Current - Maximum per Contact 7A
 Functional Wiring Parallel
 Voltage - Maximum 600V AC/DC

Material Info

Old Part Number 409P801

Reference - Drawing Numbers

Sales Drawing SD-130060-004



EU RoHS

Not RoHS Compliant
REACH SVHC
Not Reviewed
Halogen-Free
Status
Not Reviewed

China RoHS



Need more information on product environmental compliance?

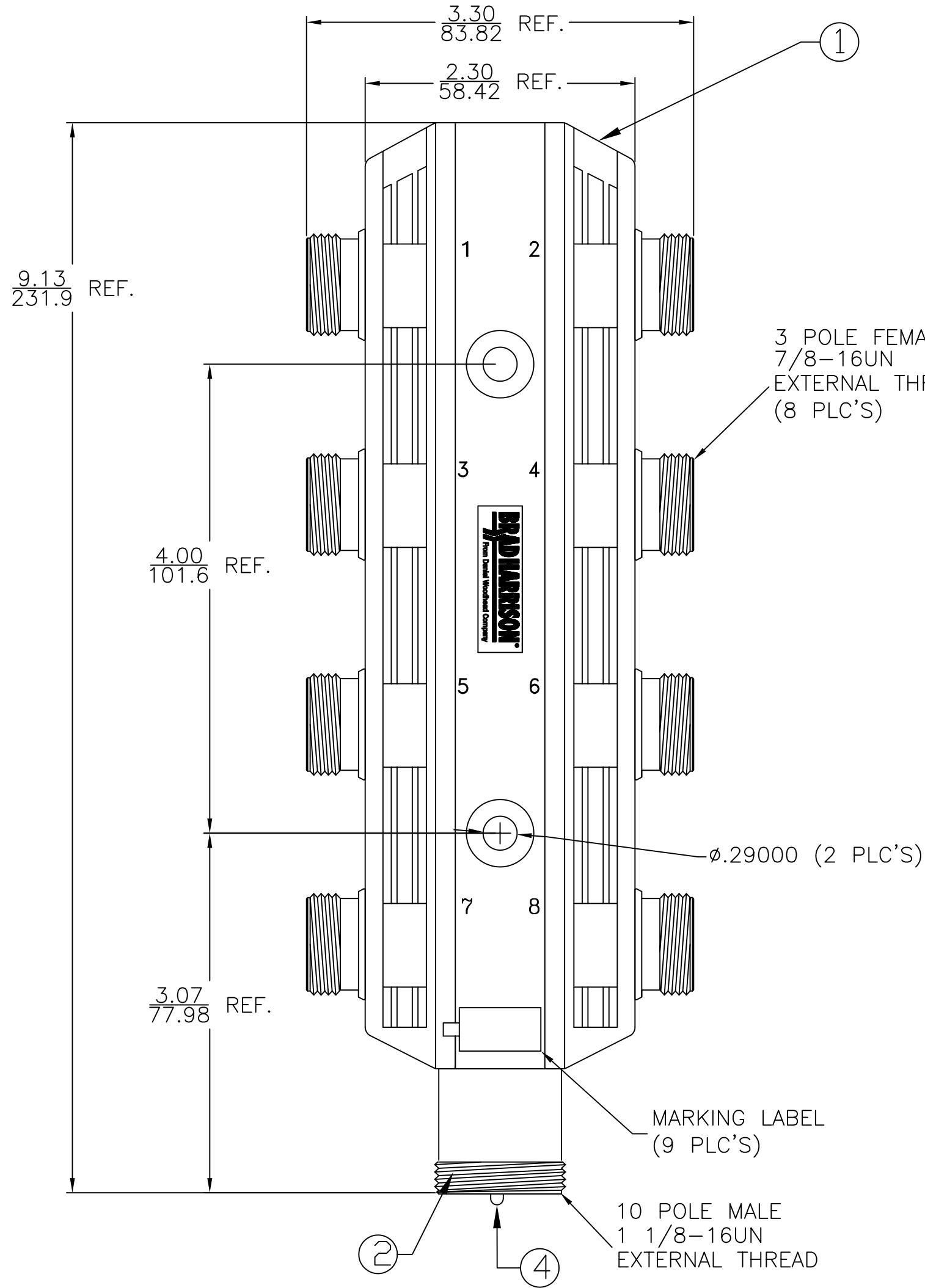
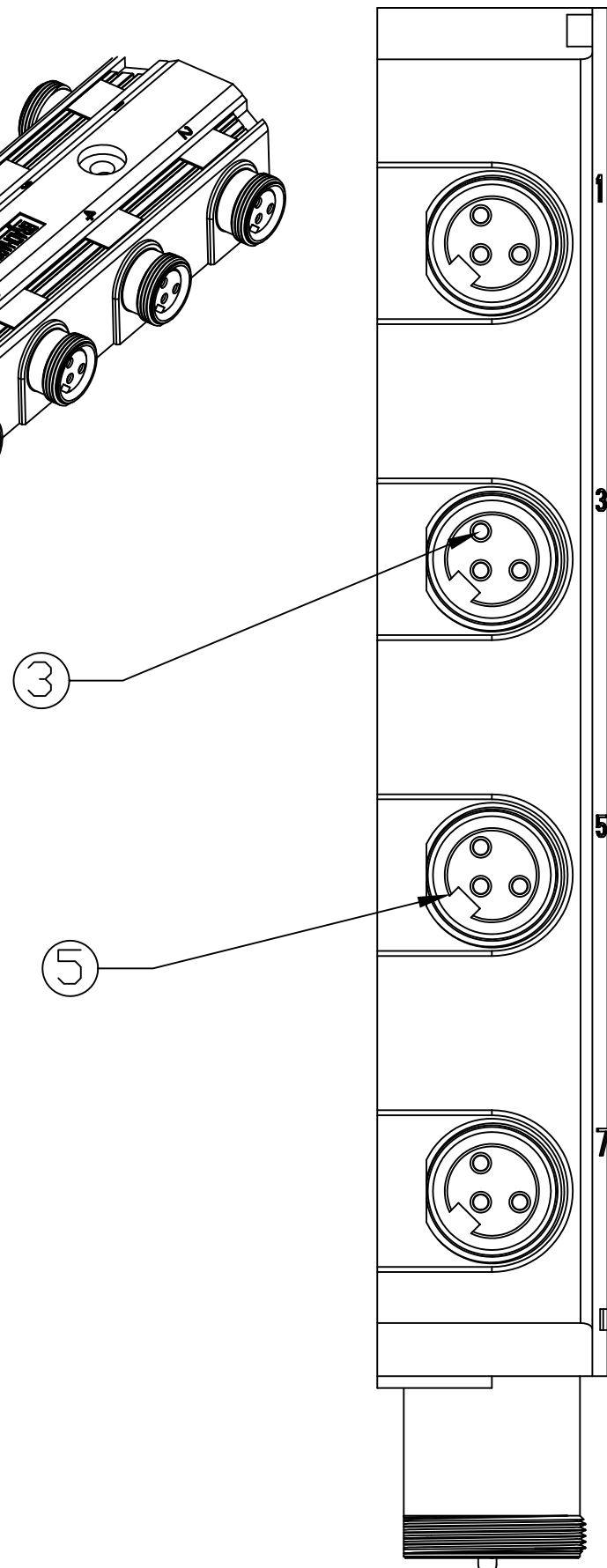
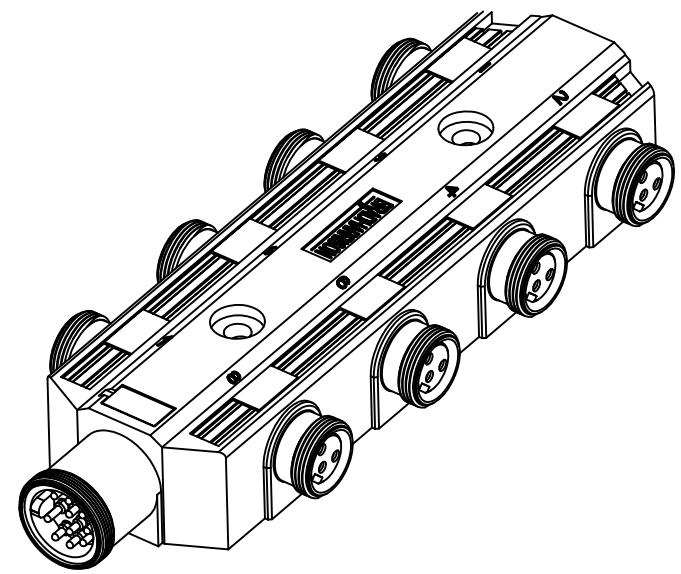
Email productcompliance@molex.com
 For a multiple part number RoHS Certificate of Compliance, [click here](#)

Please visit the [Contact Us](#) section for any non-product compliance questions.

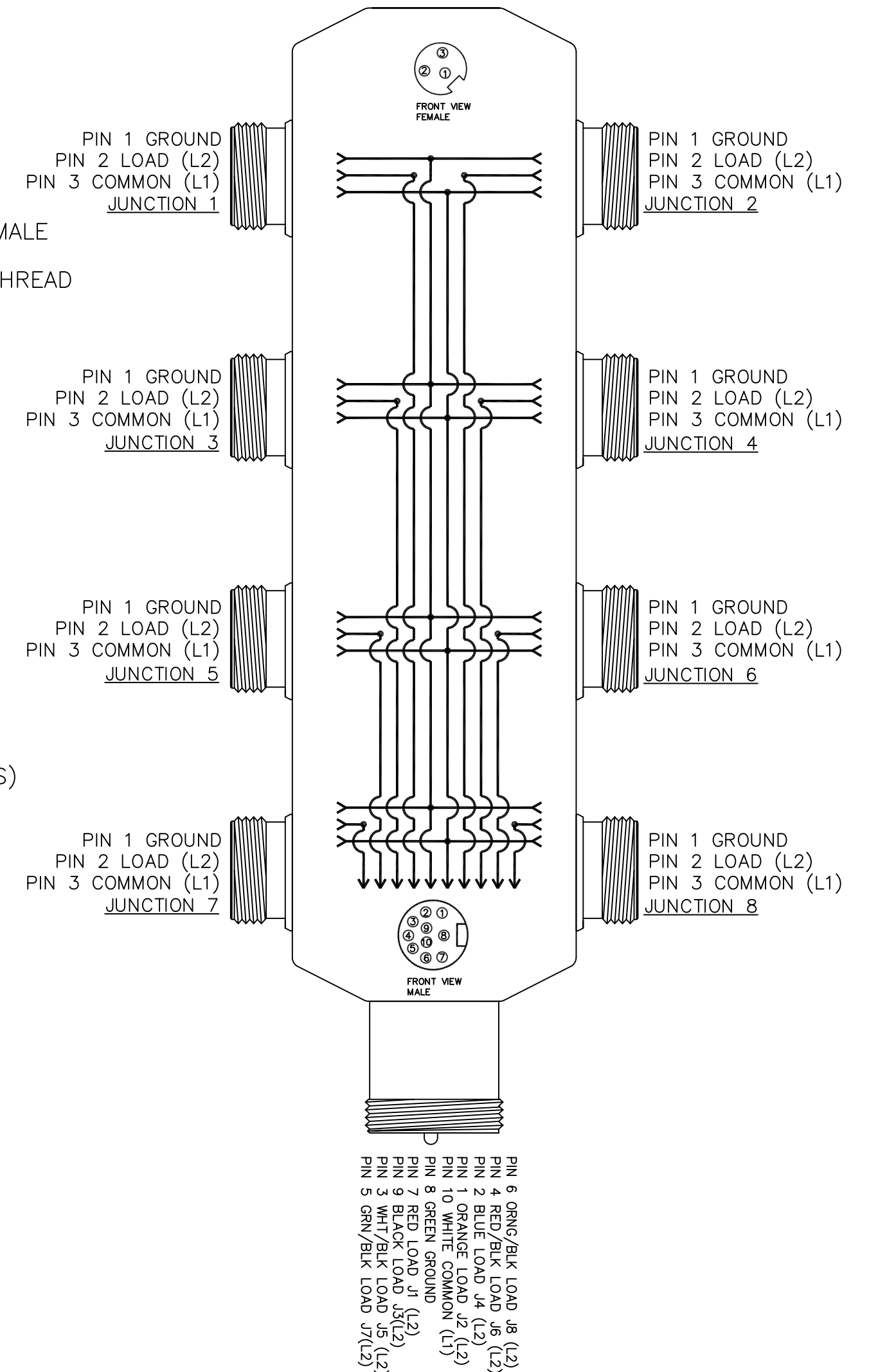
Search Parts in this Series

130060Series

13	12	11	10	9	8	7	6	5	4	3	2	1
MATERIAL NUMBER	ENGINEERING NUMBER											
1300600017	409P801											



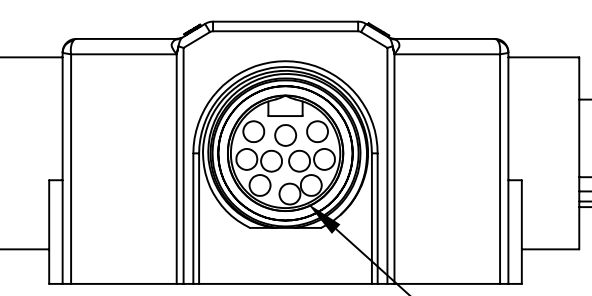
SCHEMATIC



NOTES:

- 1) MATERIAL: SEE TABLE
- 2) FINISHES: SEE TABLE
- 3) ELECTRICAL DATA:
VOLTAGE: 600V AC/DC
AMPERAGE: 7AMPS PER MPIS UNIT
- 4) ENVIRONMENTAL:
PROTECTION IP67
OPERATING TEMPERATURE RANGE: -25C TO 90C
- 5) LABEL IS MARKED WITH P/N, DATE CODE, AND SCHEMATIC
- 6) CERTIFICATION:
UL: UL RECOGNIZED
CSA: CSA CERTIFIED

ITEM	QTY.	DESCRIPTION	MATERIAL	FINISH
5	9	INSERT	PVC	YELLOW
4	10	PIN CONTACT	COPPER ALLOY	GOLD PLATED
3	24	SOCKET CONTACT	COPPER ALLOY	GOLD PLATED
2	9	RECEPTACLE SHELL	E-COATED ZINC ALLOY	BLACK
1	1	HOUSING	PBT	YELLOW



RELEASE EC NO: WNA2010-0456 DRWN: TWOLDEGE 2010/01/22 CH'KD: BWOODMAN APPR: JFMURPHY 2010/01/29	QUALITY SYMBOL	GENERAL TOLERANCES (UNLESS SPECIFIED)		DIMENSION STYLE		SCALE	DESIGN UNITS	THIRD ANGLE PROJECTION	
	$\nabla = 0$ $\sphericalangle = 0$	4 PLACES	mm	INCH	---	1:1	INCH		
		3 PLACES	±---	±.005	---				
		2 PLACES	±0.13	±.010	---				
		1 PLACE	±0.25	±.020	---				
		ANGULAR ±1/2°		DRAWN BY DATE		TITLE			
		DRAFT WHERE APPLICABLE MUST REMAIN WITHIN DIMENSIONS		CHECKED BY DATE		8PORT SIDE MOUNT MPIS 8PORT 3-POLE FEMALE W/ 10P MALE HOME RUN CONN.			
				APPROVED BY DATE		MOLEX INCORPORATED			
				MATERIAL NO.		DOCUMENT NO.		SHEET NO.	
				SEE CHART		SD-130060-004		1 OF 1	
				SIZE		THIS DRAWING CONTAINS INFORMATION THAT IS PROPRIETARY TO MOLEX INCORPORATED AND SHOULD NOT BE USED WITHOUT WRITTEN PERMISSION			
				C					