

PLEASE CHECK WWW.MOLEX.COM FOR LATEST PART INFORMATION

Part Number: [0761359001](#)
Status: **Active**
Overview: [vhdm_h](#)
Description: 2.00mm (.079") Pitch VHDM® H Board-to-Board Backplane Header, Vertical, 8-Row, Guide Pin, Signal End Module, Open End Version, 80 Circuits, Pin Length 4.75mm (.187"), Lead Free

Documents:

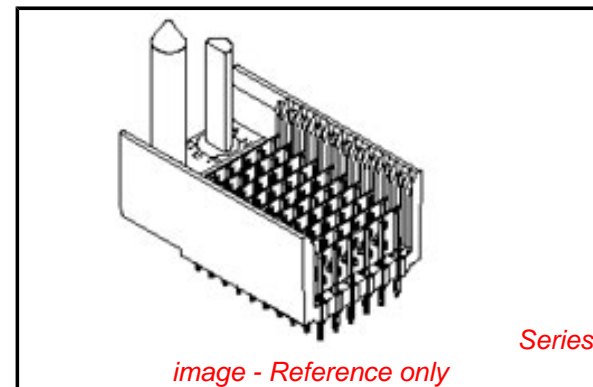
[Drawing \(PDF\)](#) [RoHS Certificate of Compliance \(PDF\)](#)
[Product Specification PS-74031-999 \(PDF\)](#)

General

Product Family	Backplane Connectors
Series	76135
Application	Backplane
Comments	No Keying Position
Component Type	PCB Header
Overview	vhdm_h
Product Name	VHDM® - H Series
Style	N/A

Physical

Circuits (Loaded)	80
Circuits (maximum)	80
Color - Resin	Black
Durability (mating cycles max)	200
First Mate / Last Break	No
Guide to Mating Part	Yes
Keying to Mating Part	None
Material - Metal	Copper Alloy
Material - Plating Mating	Gold
Material - Plating Termination	Tin
Material - Resin	High Temperature Thermoplastic
Number of Columns	10
Number of Pairs	Open Pin Field
Number of Rows	8
Orientation	Vertical
PC Tail Length (in)	0.072 In
PC Tail Length (mm)	1.83 mm
PCB Locator	No
PCB Retention	None
PCB Thickness Recommended (in)	0.072 In
PCB Thickness Recommended (mm)	1.83 mm
Packaging Type	Tube
Pitch - Mating Interface (in)	0.079 In
Pitch - Mating Interface (mm)	2.00 mm
Pitch - Term. Interface (in)	0.089 In
Pitch - Term. Interface (mm)	2.25 mm
Plating min: Mating (µin)	30
Plating min: Mating (µm)	0.75
Plating min: Termination (µin)	30
Plating min: Termination (µm)	0.75
Polarized to PCB	Yes
Stackable	No
Surface Mount Compatible (SMC)	Yes
Temperature Range - Operating	-55°C to +85°C



EU RoHS

ELV and RoHS Compliant
REACH SVHC
 Not Reviewed
Halogen-Free Status
 Not Reviewed

China RoHS



Need more information on product environmental compliance?

Email productcompliance@molex.com
 For a multiple part number RoHS Certificate of Compliance, [click here](#)

Please visit the [Contact Us](#) section for any non-product compliance questions.

Search Parts in this Series

[76135Series](#)

Application Tooling | [FAQ](#)

Tooling specifications and manuals are found by selecting the products below. Crimp Height Specifications are then contained in the Application Tooling Specification document.

Global

Description	Product #
VHDM® Signal Pin	0622015700
Insertor Repair Tool	
VHDM® 8 Row Pin and Shield Repair Tool	0622015900
VHDM® 8 Row Shield Extraction Tool	0622016100
VHDM® Insertion Module for Standard Shield Signal Header, 8 Row by	0622020209

Termination Interface: Style

Through Hole - Compliant Pin

10 Wide, 20.00mm
(.787")

Electrical

Current - Maximum per Contact

1A

Data Rate

6.25 Gbps

Real Signals (per 25mm)

75

Shield Type

Ground Plane Shield

Shielded

Yes

Voltage - Maximum

120V AC (RMS)/DC

Material Info

Reference - Drawing Numbers

Packaging Specification

PK-74061-003

Product Specification

PS-74031-999

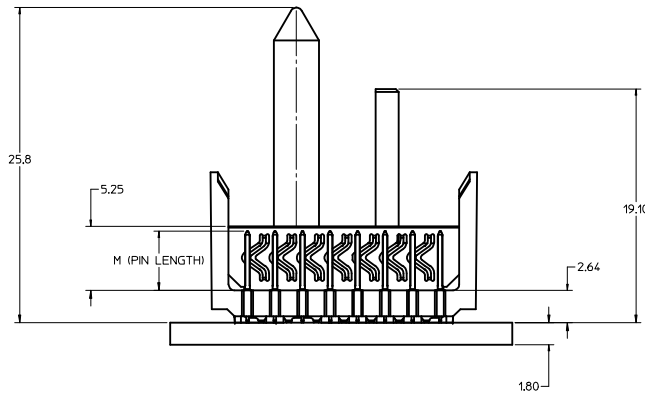
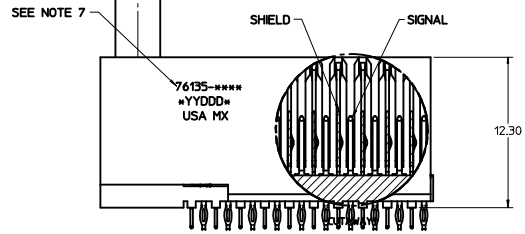
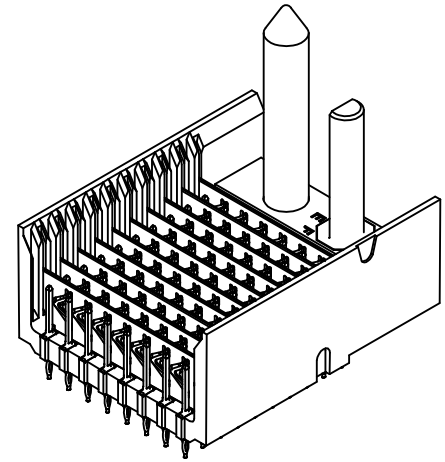
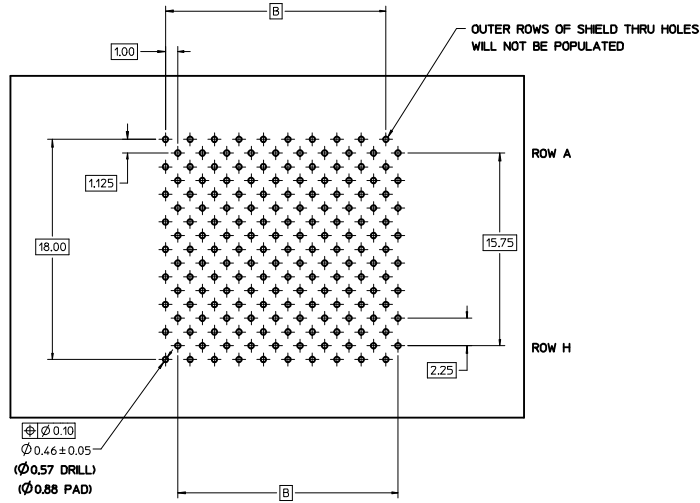
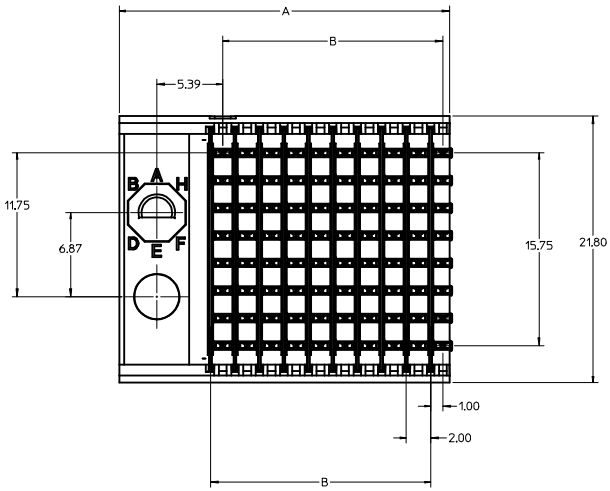
Sales Drawing

SD-76135-001

VHDM and Very High Density Metric are trademarks of Amphenol Corporation

This document was generated on 05/27/2010

PLEASE CHECK WWW.MOLEX.COM FOR LATEST PART INFORMATION



- NOTES:**
1. MATERIALS:
HOUSING - LIQUID CRYSTAL POLYMER (LCP)
GLASS FILLED, UL94V-0, BLACK
SIGNAL PIN AND SHIELD - COPPER ALLOY
 2. FINISHES:
CONTACT AREA - SELECTIVE GOLD (Au)
PCB TAILS - SELECTIVE TIN/LEAD (SnPb) OR MATTE TIN (Sn)
 3. THIS PART CONFORMS TO MOLEX PRODUCT SPECIFICATION PS-74031-999.
 4. FOR MIXED CONTACT LENGTH CONTACT MOLEX FOR AVAILABILITY.
 5. FOR SPECIFIC MATERIAL NUMBERS AND MATING INFORMATION REFER TO SHEET 2.
 6. PACKAGE PER PK-74061-003.
 7. ASSEMBLY WILL BE MARKED WITH P/N AND DATE CODE WITH LASER MARK ON SIDE OF HOUSING OR BY LABEL ON THE TUBE.

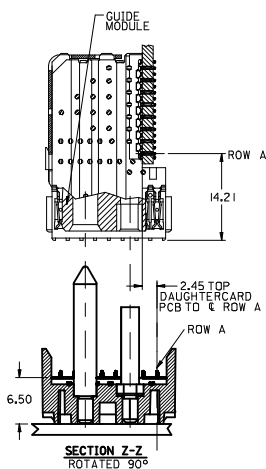
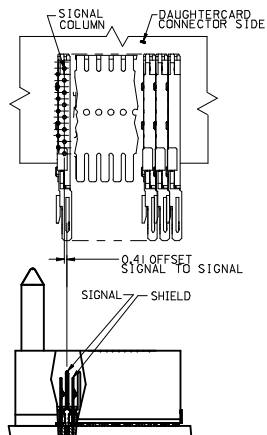
INITIAL RELEASE EC NO. UCF2008-2748 DRAWN: JONIAK 2008/12/01 CHYD: JONIAK 2008/12/02 APPR: JLAURY 2008/12/03	QUALITY SYMBOLS 	GENERAL TOLERANCES (UNLESS SPECIFIED)		DIMENSION STYLE MM ONLY	SCALE 5:1	DESIGN UNITS METRIC	THIRD ANGLE PROJECTION		
		4 PLACES ± 0.15 3 PLACES ± 0.15 2 PLACES ± 0.25 1 PLACE ± 0.25	mm INCH	DRAWN BY JONIAK	DATE 2008/04/11	TITLE VHDM H-SERIES 8 ROW SIGNAL END BACKPLANE SALES DRAWING			
		ANGULAR ± 1/2°	DRAFT WHERE APPLICABLE MUST REMAIN WITHIN DIMENSIONS	CHECKED BY BINGHAM	DATE 2008/04/11	MOLEX INCORPORATED			
		SEE PAGE 2	MATERIAL NO. SD-76135-001	APPROVED BY BINGHAM	DATE 2008/04/11	DOCUMENT NO. SD-76135-001	SHEET NO. 1 OF 2		

M/N 76135-()	-**0*	-**1*	-**2*	-**3*	-**4*	-**5*	-**6*	-**7*	-**8*
KEYING PIN ORIENTATION									

76135 - * * * * *

NUMBER OF COLUMNS/PLATING
 10 = 10 COLUMN TIN/LEAD
 12 = 12 COLUMN TIN/LEAD
 25 = 25 COLUMN TIN/LEAD
 90 = 90 COLUMN MATTE TIN
 92 = 12 COLUMN MATTE TIN
 85 = 25 COLUMN MATTE TIN

CONTACT LOAD
 (PIN LENGTH)
 1 & 6 = 4.15
 2 & 7 = 6.25
 3 & 8 = 4.25
 4 & 9 = 5.15



PART NUMBER	COLUMN	NUMBER OF SIGNAL	NUMBER OF PINSHIELD	OF	A	B	M	Au (um) THICKNESS	Sn (um) THICKNESS
76135 - *0*1	10	80	10		27.00	18.00		0.76	0.76-1.52
76135 - *0*6							4.75	1.27	
76135 - *5*1	25	200	25		57.00	48.00		0.76	
76135 - *5*6								1.27	
76135 - *0*2	10	80	10		27.00	18.00		0.76	
76135 - *0*7							6.25	1.27	
76135 - *5*2	25	200	25		57.00	48.00		0.76	
76135 - *5*7								1.27	
76135 - *0*3	10	80	10		27.00	18.00		0.76	
76135 - *0*8							4.25	1.27	
76135 - *5*3	25	200	25		57.00	48.00		0.76	
76135 - *5*8								1.27	
76135 - *0*4	10	80	10		27.00	18.00		0.76	
76135 - *0*9							5.15	1.27	
76135 - *5*4	25	200	25		57.00	48.00		0.76	
76135 - *5*9								1.27	
76135 - *2*1	12	96	12		31.00	22.00	4.75	0.76	
76135 - *2*6								1.27	
76135 - *2*2	12	96	12		31.00	22.00	6.25	0.76	
76135 - *2*7								1.27	
76135 - *2*3	12	96	12		31.00	22.00	4.25	0.76	
76135 - *2*8								1.27	
76135 - *2*4	12	96	12		31.00	22.00	5.15	0.76	
76135 - *2*9								1.27	

INITIAL RELEASE IEC NO. UCF2008-2748 DRAWN BY J JONIAK 2008/12/01 CHYK J JONIAK 2008/12/02 APPR: J LAURY 2008/12/03	QUALITY SYMBOLS	GENERAL TOLERANCES (UNLESS SPECIFIED)	DIMENSION STYLE	SCALE	DESIGN UNITS	THIRD ANGLE PROJECTION
	=0 =0	mm INCH 4 PLACES # --- # --- 3 PLACES # --- # --- 2 PLACES # 0.15 # --- 1 PLACE # 0.25 # --- ANGULAR ±1/2°	MM ONLY	1:1	METRIC	DRAWN BY DATE J JONIAK 2008/04/11 CHECKED BY DATE B INGHAM 2008/04/11 APPROVED BY DATE B INGHAM 2008/04/11
	DRAFT WHERE APPLICABLE MUST REMAIN WITHIN DIMENSIONS		SEE CHART		MOLEX INCORPORATED SD-76135-001	