

PLEASE CHECK WWW.MOLEX.COM FOR LATEST PART INFORMATION

Part Number: [0391001306](#)
Status: **Active**
Description: 12.00mm (.472") Pitch Beau™ Eurostyle™ Two-Screw Terminal Strips, 6 Circuits, Low Profile

Documents:

[3D Model](#) [RoHS Certificate of Compliance \(PDF\)](#)
[Drawing \(PDF\)](#)

Agency Certification

CSA 25562
 UL E82573

General

Product Family Terminal Blocks
 Series [39100](#)
 Application Wire-to-Wire
 Component Type One Piece
 Product Literature Order No USA-303
 Product Name Eurostyle™ Two Screw
 Type Euro Block

Physical

Circuits (Loaded) 6
 Entry Angle Horizontal
 Flammability 94V-2
 Lock to Mating Part None
 Number of Rows 2
 Orientation Vertical
 PCB Retention Yes
 Panel Mount Mounting Holes Between Circuit
 Pitch - Mating Interface (in) 0.472 In
 Pitch - Mating Interface (mm) 12.00 mm
 Pitch - Term. Interface (in) 0.315 In
 Pitch - Term. Interface (mm) 8.00 mm
 Polarized to Mating Part No
 Stackable No
 Temperature Range - Operating 100°C
 Wire Size AWG 10, 12, 14, 16, 18, 20, 8

Electrical

Current - Maximum per Contact 40A
 Voltage - Maximum 300V

Material Info

Reference - Drawing Numbers

Sales Drawing SD-39100-005

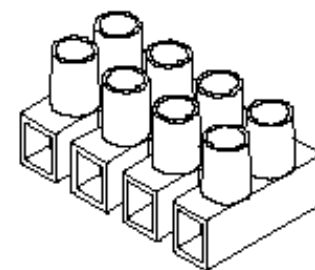


image - Reference only *Series*

EU RoHS

ELV and RoHS Compliant
REACH SVHC
 Not Reviewed
Halogen-Free Status
Not Reviewed

China RoHS

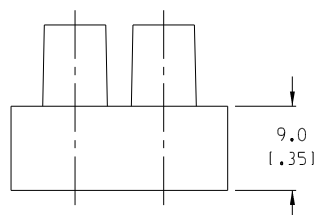
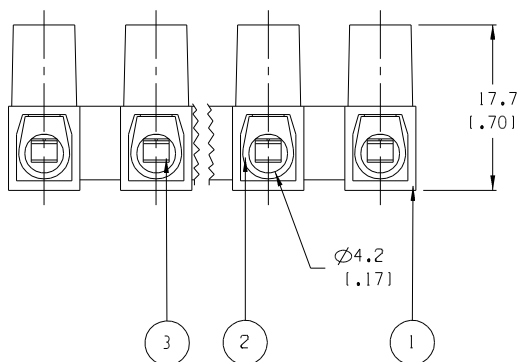
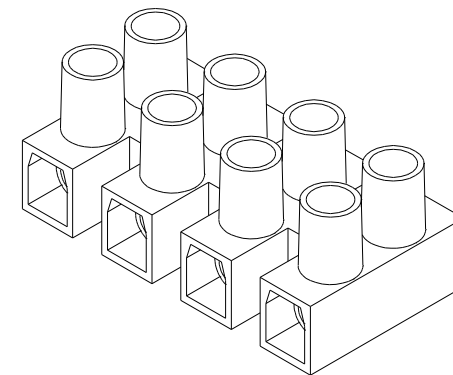
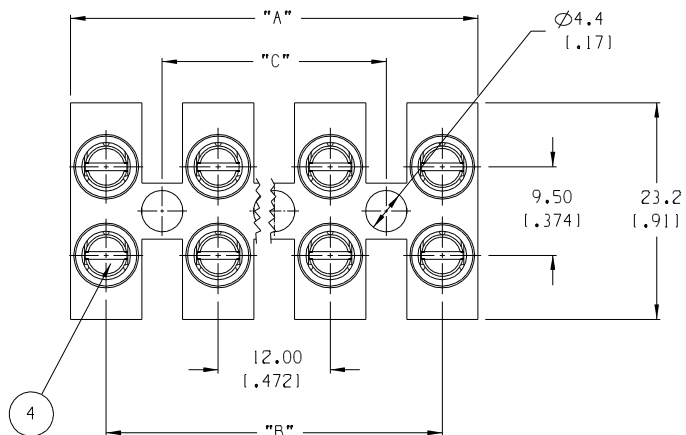


Need more information on product environmental compliance?

Email productcompliance@molex.com
 For a multiple part number RoHS Certificate of Compliance, [click here](#)

Please visit the [Contact Us](#) section for any non-product compliance questions.

Search Parts in this Series
[39100Series](#)



NUMBER OF CIRCUITS	"A" DIM.	"B" DIM.	"C" DIM.	MATERIAL NUMBER
01	8.00 (1.315)	N/A	N/A	391001301
02	20.00 (1.787)	12.00 (1.472)	N/A	391001302
03	32.00 (1.260)	24.00 (1.944)	12.00 (1.472)	391001303
04	44.00 (1.732)	36.00 (1.416)	24.00 (1.945)	391001304
05	56.00 (2.205)	48.00 (1.888)	36.00 (1.417)	391001305
06	68.00 (2.677)	60.00 (2.359)	48.00 (1.890)	391001306
07	80.00 (3.150)	72.00 (2.831)	60.00 (2.362)	391001307
08	92.00 (3.622)	84.00 (3.303)	72.00 (2.835)	391001308
09	104.00 (4.094)	96.00 (3.775)	84.00 (3.307)	391001309
10	116.00 (4.567)	108.00 (4.247)	96.00 (3.780)	391001310
11	128.00 (5.039)	120.00 (4.719)	108.00 (4.252)	391001311
12	140.00 (5.512)	132.00 (5.191)	120.00 (4.724)	391001312

- NOTES:
1. MATERIAL: SEE TABLE
 2. FINISHES: SEE TABLE
 3. PRODUCT SPECIFICATION: NOT REQUIRED
 4. PACKAGING: NOT REQUIRED
 5. MATES WITH: NONE
 6. "XX" REFERS TO THE NUMBER OF CIRCUITS

ITEM	QTY.	DESCRIPTION	MATERIAL	FINISH
4	XX*2	CLAMPING SCREWS, M3.5	STEEL	ZINC
3	XX	WIRE PROTECTOR	BRASS	NICKEL
2	XX	TERMINAL	BRASS	NICKEL
1	1	INSULATOR	NYLON 6	CLEAR

EC NO. RELEASED DRWN: JF 09-16-04 CH*K: APPR:	DESCRIPTION MAJOR CRITICAL SPC S	QUALITY SYMBOLS	GENERAL TOLERANCES: (UNLESS SPECIFIED)	SCALE 2:1	DESIGN UNITS <input type="checkbox"/> mm <input checked="" type="checkbox"/> INCH	THIRD ANGLE PROJECTION	PROJECT NO. -	SHT	REV	
							<input checked="" type="checkbox"/> mm INCH <input type="checkbox"/> INCH mm <input type="checkbox"/> mm ONLY			
								TITLE: 12MM LOW PROFILE WITH WIRE PROTECTORS		
								MOLEX INCORPORATED CAD FILENAME: 39100-13XX MATERIAL NO.: SEE CHART DRAWING NO.: SD-39100-005 SHEET NO.: 1 OF 1		
REV A		DRAFT WHERE APPLICABLE MUST REMAIN WITHIN DIMENSIONS		ANGULAR: ±2°		THIS DRAWING CONTAINS INFORMATION THAT IS PROPRIETARY TO MOLEX INCORPORATED AND SHOULD NOT BE USED WITHOUT WRITTEN PERMISSION.		SIZE B		