

Model(型號): **ROTARY POTENTIOMETER-----R13A11AB1**

► Download PDF file



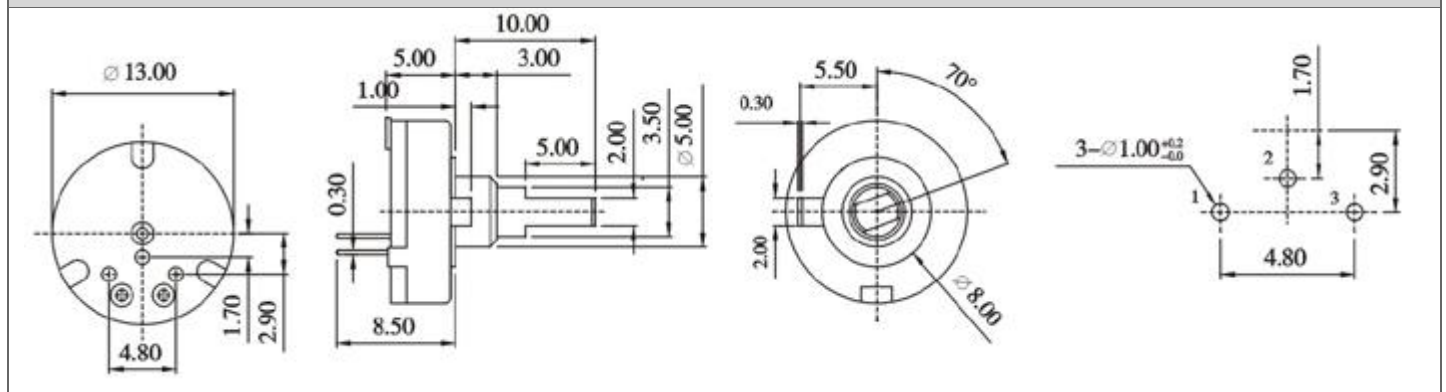
Features:(特點):

Small size ,high dependability, resistance ip to 15gf;cm

Applications(作用):

Remote control circuit.

Dimensions(規格圖):



Specifications(規格)

Electrical Characteristics [電氣性能]

Total resistance [全阻抗值]	500Ω~1MΩ
Total resistance tolerance [全阻抗值容許差]	±20%
Ratings power(w) [額定功率]	B curve 0.1W,except B 0.04W
Restings taper[阻抗變化特性]	A,B,*C
Residual resistance [殘留阻值]	100Ω
Sliding noise [滑動雜音]	100mV Max.
Withstanding voltage [耐電壓]	1 minute at AC 500V
Insulation resistance [絕緣阻抗]	50MΩ Min. at DC 500V.
Withstanding voltage	1 mainute at AC 500V
Max. operating voltage [最高使用電壓]	linear Taper B AC 200V, except B AC 100V.

Mechanical Characteristics [機械性能]

Overall rotational angle	220 ±10°
Operation torque [回轉力矩]	10~100gf . cm
Rotation stopper strength [止動強度]	3.0Kgf . cm Min.
Push-pull strength[推 拉強度]	5.0Kgf . cm Min.

Endurance Characteristics [耐久性能]

Rotational life [回轉壽命]	More than100,000 cycles
--------------------------	-------------------------