

PLEASE CHECK WWW.MOLEX.COM FOR LATEST PART INFORMATION

Part Number: [0367180006](#)
Status: **Active**
Overview: [din_41612](#)
Description: R ML 96P CL2 AU ST 15.1 C DOT PRINT

Documents:

[Drawing \(PDF\)](#) [RoHS Certificate of Compliance \(PDF\)](#)
[Product Specification PS-36509-001 \(PDF\)](#)

General

| | |
|----------------|---------------------------|
| Product Family | Backplane Connectors |
| Series | 36718 |
| Application | Daughtercard |
| Comments | No Mounting Clip |
| Component Type | PCB Header |
| Overview | din_41612 |
| Product Name | IEC 603-2/DIN 41612 |
| Style | C |

Physical

| | |
|--------------------------------|--------------------|
| Circuits (Loaded) | 96 |
| Circuits (maximum) | 96 |
| Circuits Detail | 1,2,3,...32; a+b+c |
| Color - Resin | Gray |
| Durability (mating cycles max) | 400 |
| First Mate / Last Break | No |
| Guide to Mating Part | No |
| Keying to Mating Part | Yes |
| Material - Metal | Brass |
| Material - Plating Mating | Gold |
| Material - Plating Termination | Tin |
| Material - Resin | Polyester |
| Number of Columns | 32 |
| Number of Pairs | Open Pin Field |
| Number of Rows | 3 |
| Orientation | Vertical |
| PC Tail Length (in) | 0.594 In |
| PC Tail Length (mm) | 15.10 mm |
| PCB Locator | No |
| PCB Retention | Yes |
| PCB Thickness Recommended (in) | 0.063 In |
| PCB Thickness Recommended (mm) | 1.60 mm |
| Packaging Type | Carton |
| Pitch - Mating Interface (in) | 0.100 In |
| Pitch - Mating Interface (mm) | 2.54 mm |
| Pitch - Term. Interface (in) | 0.100 In |
| Pitch - Term. Interface (mm) | 2.54 mm |
| Plating min: Mating (µin) | 24 |
| Plating min: Mating (µm) | 0.60 |
| Stackable | No |
| Surface Mount Compatible (SMC) | No |
| Temperature Range - Operating | -55°C to +125°C |
| Termination Interface: Style | Through Hole |

Electrical

| | |
|-------------------------------|----|
| Current - Maximum per Contact | 1A |
|-------------------------------|----|

EU RoHS
ELV and RoHS
Compliant
REACH SVHC
Not Reviewed
Halogen-Free
Status
Not Reviewed

China RoHS



Need more information on product environmental compliance?

Email productcompliance@molex.com
 For a multiple part number RoHS Certificate of Compliance, [click here](#)

Please visit the [Contact Us](#) section for any non-product compliance questions.

Search Parts in this Series
[36718Series](#)

| | |
|-------------------|-------------|
| Data Rate | 622.0 Mbps |
| Voltage - Maximum | 1000V (RMS) |

Material Info

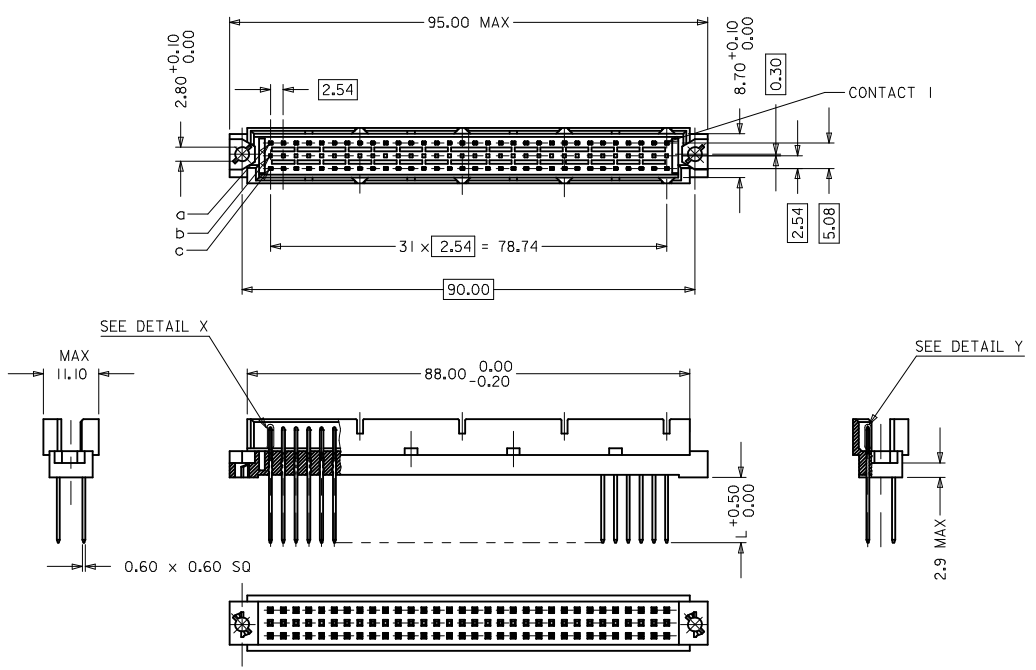
| | |
|-----------------|-----------------|
| Old Part Number | MMB15W1R960-263 |
|-----------------|-----------------|

Reference - Drawing Numbers

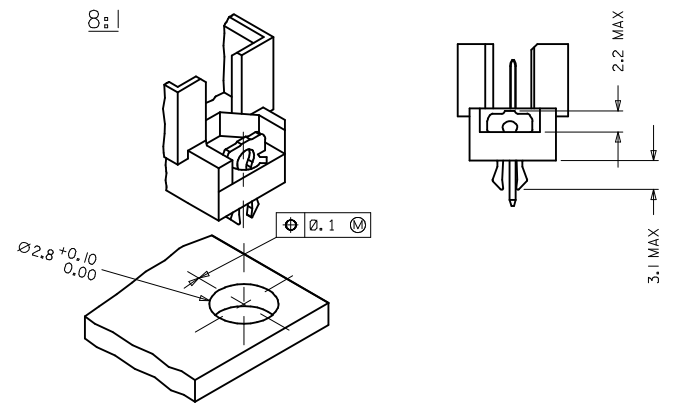
| | |
|-----------------------|--------------|
| Product Specification | PS-36509-001 |
| Sales Drawing | SD-36718-006 |

This document was generated on 05/13/2010

PLEASE CHECK WWW.MOLEX.COM FOR LATEST PART INFORMATION

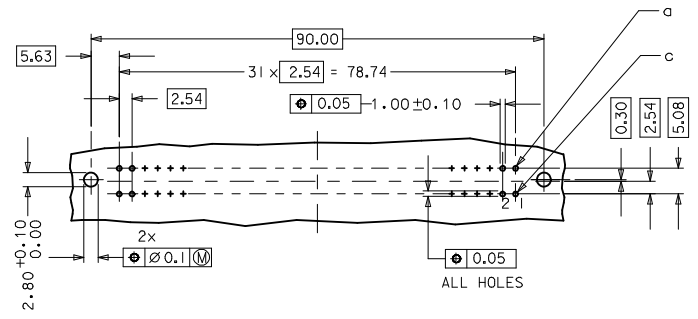


WITH MOUNTING CLIPS



- NOTES:
- MATERIALS: THERMOPLASTIC POLYESTER, GLASS FILLED, UL94V-0, COLOUR: PEBBLE GREY RAL 7032
TERMINAL - BRASS
MOUNTING CLIP: STEEL
 - FINISH: TERMINAL:-
CONTACT AREA & TERMINATION AREA.
1. PERFORMANCE LEVEL 2; SELECTIVE GOLD (Au), THICKNESS = 0.6 MICROMETER
OVER NICKEL, THICKNESS = 1.25 MICROMETER
 - MOUNTING CLIP:-
TIN (Sn), THICKNESS = 5-10 MICROMETER,
OVER NICKEL (Ni), THICKNESS = 2.5 MICROMETER
 - FOR NON MOUNTING CLIP OPTION, CONNECTOR TO BE SECURED WITH RIVETS; 2 TUBULAR RIVETS 2.5 x 0.3 ... DIN 7340
SCREWS; 2 CHEESEHEAD SCREWS M2.5 x ... DIN 84 AND 2 HEXAGONAL NUTS M2.5 DIN 934
 - MATERIAL NUMBER, BATCH CODE, UL AND CSA MARKING TO BE PRINTED ON THE CONNECTOR
 - CUT FACE OF TIP WITHOUT PLATING PERMITTED
 - PRODUCT SPECIFICATION PS : 36511-001

RECOMMENDED PCB LAYOUT
COMPONENT SIDE

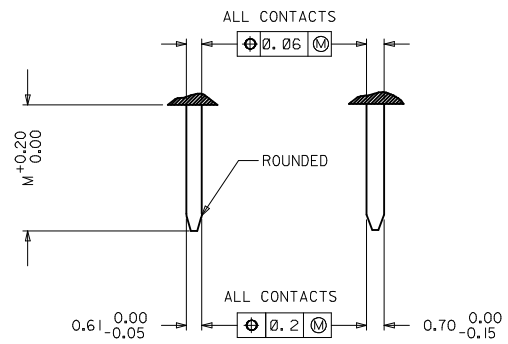


RoHS COMPLIANT

| | | | | | | | | | |
|---|---|---|---------|--|--------------------|---|-------------------------------------|----------------------------|--|
| ENTER DESCRIPTION IEC NO: 2009-0529 DRAWN: HHR01 CHKD: APPR: KPRASAD DATE: 2009/06/30 DATE: 2009/07/08 | QUALITY SYMBOLS ▽=0 ▽=0 ▽=0 | GENERAL TOLERANCES (UNLESS SPECIFIED) | | DIMENSION STYLE MM ONLY | | SCALE | DESIGN UNITS METRIC | THIRD ANGLE PROJECTION | |
| | | 4 PLACES ± --- ± --- | mm INCH | DRAWN BY HARSHAMR | DATE 2009/06/15 | TITLE ASSY, DIN41612, 96 POS A+B+C LOADED SOLDER, CDOT PART | | | |
| | | 3 PLACES ± 0.05 ± --- | | CHECKED BY KPRASAD | DATE 2009/06/15 | MOLEX INCORPORATED | | | |
| | | 2 PLACES ± 0.1 ± --- 1 PLACE ± 0.15 ± --- ANGULAR ± 2 ° | | APPROVED BY KPRASAD | DATE 2009/06/15 | MATERIAL NO. SEE SHEET 2 | DOCUMENT NO. SD-36718-006 | SHEET NO. 1 OF 2 | |
| DRAFT WHERE APPLICABLE MUST REMAIN WITHIN DIMENSIONS | | THIS DRAWING CONTAINS INFORMATION THAT IS PROPRIETARY TO MOLEX INCORPORATED AND SHOULD NOT BE USED WITHOUT WRITTEN PERMISSION | | | | | | | |

| | | | | | | | | | | | | | | | | | | | |
|--------------|-------------------|------------------|------------|---------|----------------------|------------|---------------|------|----|----|---|---|---|---|---|---|---|---|---|
| 20 | 19 | 18 | 17 | 16 | 15 | 14 | 13 | 12 | 11 | 10 | 9 | 8 | 7 | 6 | 5 | 4 | 3 | 2 | 1 |
| MATERIAL No. | MOLEX ENG No. | C-DOT PART NO. | PERF LEVEL | PLATING | CONTACT SEQUENCE/ROW | DIM 'L' MM | MOUNTING CLIP | FMLB | | | | | | | | | | | |
| 36718-0006 | MM-B15W1-R960-104 | MCC-EURVM006-302 | 2 | Au + Ni | 1,2,3...3 a+b+c | 15.1 | NO | NO | | | | | | | | | | | |

DETAILY DETAILX



| | |
|---------------------|-----|
| PRE MATING CONTACTS | 5.4 |
| NORMAL CONTACTS | 4.8 |
| | M |

| ENTER DESCRIPTION EC NO: 2009-0529 DRAWN BY: DRW:HR01 CHKD: APPR:KPRASAD DATE: 2009/06/30 DATE: 2009/07/08 | QUALITY SYMBOLS ▽=0 ▽=0 | GENERAL TOLERANCES (UNLESS SPECIFIED) <table border="1"> <tr> <th></th> <th>mm</th> <th>INCH</th> </tr> <tr> <td>4 PLACES</td> <td>± 0.15</td> <td>± 0.006</td> </tr> <tr> <td>3 PLACES</td> <td>± 0.05</td> <td>± 0.002</td> </tr> <tr> <td>2 PLACES</td> <td>± 0.1</td> <td>± 0.004</td> </tr> <tr> <td>1 PLACE</td> <td>± 0.15</td> <td>± 0.006</td> </tr> </table> | | mm | INCH | 4 PLACES | ± 0.15 | ± 0.006 | 3 PLACES | ± 0.05 | ± 0.002 | 2 PLACES | ± 0.1 | ± 0.004 | 1 PLACE | ± 0.15 | ± 0.006 | DIMENSION STYLE MM ONLY | SCALE DESIGN UNITS METRIC | THIRD ANGLE PROJECTION |
|--|--|--|---|-------------------------------------|-------------------------------------|----------|--------|---------|----------|--------|---------|----------|-------|---------|---------|--------|---------|-----------------------------------|--|------------------------|
| | | mm | INCH | | | | | | | | | | | | | | | | | |
| | 4 PLACES | ± 0.15 | ± 0.006 | | | | | | | | | | | | | | | | | |
| | 3 PLACES | ± 0.05 | ± 0.002 | | | | | | | | | | | | | | | | | |
| 2 PLACES | ± 0.1 | ± 0.004 | | | | | | | | | | | | | | | | | | |
| 1 PLACE | ± 0.15 | ± 0.006 | | | | | | | | | | | | | | | | | | |
| DESCRIPTION SEE CHART | DRAFT WHERE APPLICABLE MUST REMAIN WITHIN DIMENSIONS | APPROVED BY KPRASAD DATE 2009/06/15 | TITLE ASSY,DIN41612,96 POS A+B+C LOADED SOLDER, CDOT PART | MATERIAL NO. SD-36718-006 | DOCUMENT NO. SD-36718-006 | | | | | | | | | | | | | | | |
| SIZE A 1 | THIS DRAWING CONTAINS INFORMATION THAT IS PROPRIETARY TO MOLEX INCORPORATED AND SHOULD NOT BE USED WITHOUT WRITTEN PERMISSION | MATERIAL NO. SD-36718-006 | DATE 2009/06/15 | DATE 2009/06/15 | DATE 2009/06/15 | | | | | | | | | | | | | | | |
| REV | REV | REV | REV | REV | REV | | | | | | | | | | | | | | | |