

IEC Plug E, Cord Connector (Rewireable), Straight

new

**Description**

Screwing cable terminal,

- Pin temperature 70 °C, Protection class I, Cable
- Note: Please order pvc strain relief separately, mating strain reliefs please find under accessories.

Approvals

- VDE License Number: 40009798
- CSA License Number: 1612079

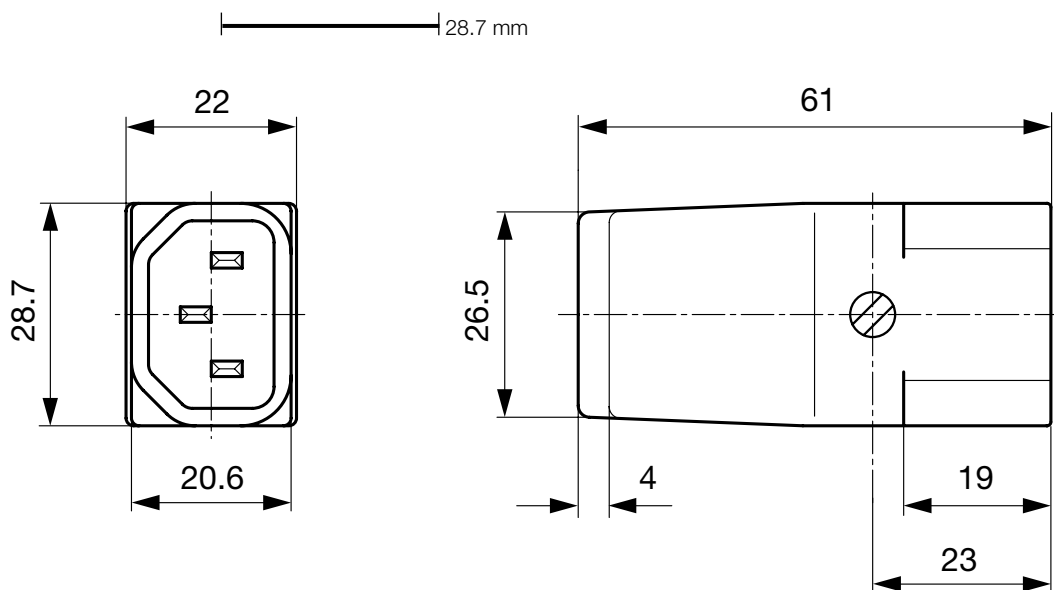
Technical Data

Ratings IEC	10A / 250VAC; 50Hz
Ratings UL/CSA	15A / 250VAC; 60Hz
Dielectric Strength	> 4 kVAC between L-N > 2 kVAC between L/N-PE (1 min/50Hz)
Allowable Operation Temp.	-25 °C to 70 °C
Degree of Protection	from front side IP 20 acc. to IEC 60529
Protection Class	Suitable for appliances with protection class 1 acc. to IEC 61140
Terminal	Screw Clamp
Material: Housing	UL 94V-0

References[General Product Information](#)**Weblinks**

[Approvals](#), [RoHS](#), [CHINA-RoHS](#), [Mating Connectors](#), [e-Store](#), [Distributor-Stock-Check](#), [Accessories](#)

Plug	E acc. to IEC/EN 60320-1 UL 498, CSA C22.2 no. 42 (for cold conditions) pin-temperature 70 °C, 10A, Protection Class 1
------	---

Dimensions

Config. Code

Product Configurator

9009 - H - A B C 0 - D - E J

The characters are placeholders for the correspondingly keys of selections from the key tables.

9009 - H - A B C 0 - D - E J = Type

Type	Configuration key
protection class 1	X

9009 - H - A B C 0 - D - E J = Terminals

Terminal L	Configuration key
screw terminal	A
special terminal	Z

9009 - H - A B C 0 - D - E J = Terminals

Terminal N	Configuration key
screw terminal	A
special terminal	Z

Symbols similar as in table A

9009 - H - A B C 0 - D - E J = Terminals

Terminal Ground	Configuration key
screw terminal	A
special terminal	Z

Symbols similar as in table A

9009 - H - A B C 0 - D - E J = Color

Color	Configuration key
jet black; RAL9005	A
silver grey; RAL7001	B
pure white; RAL9010	D
standard color: black	

9009 - H - A B C 0 - D - E J = Style

Style	Configuration key
for cord assembly	8

9009 - H - A B C 0 - D - E J = Condition

Condition	Configuration key
assembled	1
disassembled	2

Packaging unit 50 Pcs

Accessories

Description



HN 14.110
PVC Strain Relief



HN 14.45
PVC Strain Relief



HN 14.46
PVC Strain Relief

Mating Outlets/Connectors

Category / Description

[Appliance Outlet Overview complete](#)



IEC Appliance Outlet F, Screw-on Mounting, Front Side, Solder or Quick-connect Terminal	4787
IEC Appliance Outlet F, Snap-in Mounting, Front Side, Solder or Quick-connect Terminal	4788
IEC Appliance Outlet F, Screw-on Mounting, Front Side, Solder or Quick-connect Terminal	6600-3
IEC Appliance Outlet F, Snap-in Mounting, Front Side, Solder or Quick-connect Terminal	6600-4

[Appliance Outlet further types to 9009](#)

[Appliance Outlet shuttered Overview complete](#)



IEC Appliance Outlet F Shuttered, Screw-on Mounting, Front Side, Solder or Quick-connect Terminal	4721
IEC Appliance Outlet F Shuttered, Snap-in Mounting, Front Side, Solder or Quick-connect Terminal	4723

[Appliance Outlet shuttered further types to 9009](#)

[Connector Overview complete](#)



IEC Connector C15, Rewireable, Straight	0101
IEC Connector C15A, Rewireable, Straight	0102
IEC Connector C15A, Rewireable, Straight	0102-G
IEC Connector C15A, Rewireable, Angled	0112
IEC Connector C13, Rewireable, Angled	4012

[Connector further types to 9009](#)

[Distribution Unit Overview complete](#)



Distribution Unit for Snap-in Mounting with 1 IEC Appliance Inlet C14 and 1 Appliance Outlet F	0712
Strip Block for Snap-in Mounting with up to 7 IEC Appliance Outlets F	0909
Distribution Unit with 1 IEC Appliance Inlet C14 or Power Cord, 4 IEC Appliance Outlets F and Extra Components	4740
Distribution Unit with 1 IEC Appliance Inlet C14 and 2 Appliance Outlets F, Shuttered	4741
Distribution Unit with 1 IEC Appliance Inlet C14 and 4 Appliance Outlets F	4747

[Distribution Unit further types to 9009](#)

[Power Cord Overview complete](#)



Power Cord with IEC Connector C13, Angled	0311
Power Cord with IEC Connector C13, Angled	3011
Power Cord with IEC Connector C13, Angled	3012
Power Cord with IEC Connector C13, Angled	3013
Power Cord with IEC Connector C13	3020

[Power Cord further types to 9009](#)

[Power Entry Module Overview complete](#)



IEC Appliance Outlet F with Fuseholder 1-pole	4719
IEC Appliance Inlet C14 with modular extended Components	Felcom 64
IEC Appliance Inlet C14 with Appliance Outlet F	KP (Outlet)
IEC Appliance Inlet C14 with Appliance Outlet F, Line Switch 2-pole and Voltage Selector	PMM

[Power Entry Module further types to 9009](#)

Category / Description



[Power Entry Module with line filter Overview complete](#)

[IEC Appliance Inlet C14 Modular Assembling Options](#)

[Felcom 54](#)

[Power Entry Module with line filter further types to 9009](#)