

PLEASE CHECK WWW.MOLEX.COM FOR LATEST PART INFORMATION

Part Number: [0743204006](#)

Status: **Active**

Description: MicroCross™ DVI-D Digital Visual Interface, PCB Receptacle, Panel Mount, Through Hole, Right Angle, Gold (Au) Flash, 2.79mm (.110") PC Tail Length, Polyester (PCT), Lead Free, Screw Hole, 4-40 Thread, 24 Circuits

Documents:

[Drawing \(PDF\)](#)

[Product Specification PS-74320-001 \(PDF\)](#)

[RoHS Certificate of Compliance \(PDF\)](#)

Agency Certification

UL E29179

General

Product Family	I/O Connectors
Series	74320
Application	Wire-to-Board
Comments	DDWG (Digital Display Working Group) Standard
Component Type	Receptacle
Product Name	MicroCross™DVI
Type	N/A

Physical

Boot Color	N/A
Circuits (Loaded)	24
Circuits (maximum)	24
Color - Resin	Natural
Durability (mating cycles max)	100
Flammability	94V-0
Gender	Receptacle
Keying to Mating Part	Yes
Lock to Mating Part	Yes
Material - Metal	Copper Alloy
Material - Plating Mating	Gold
Material - Plating Termination	Tin
Number of Rows	3
Orientation	Right Angle
PC Tail Length (in)	0.110 In
PC Tail Length (mm)	2.79 mm
PCB Locator	Yes
PCB Retention	Yes
Packaging Type	Tray
Panel Mount	Yes
Pitch - Mating Interface (in)	0.075 In
Pitch - Mating Interface (mm)	1.91 mm
Pitch - Term. Interface (in)	0.075 In
Pitch - Term. Interface (mm)	1.91 mm
Plating min: Mating (µin)	2
Plating min: Mating (µm)	0.05
Plating min: Termination (µin)	100
Plating min: Termination (µm)	2.50
Polarized to Mating Part	Yes
Polarized to PCB	Yes
Ports	1
Surface Mount Compatible (SMC)	No
Temperature Range - Operating	-20°C to +85°C

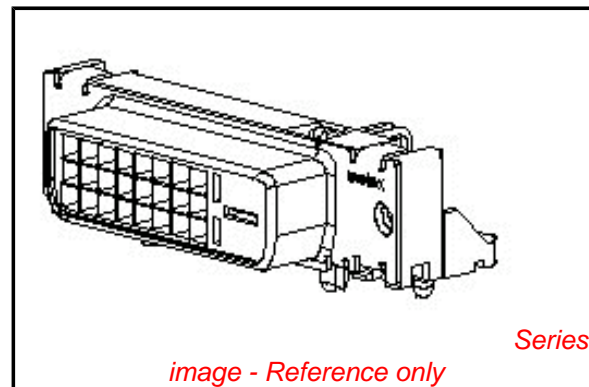


image - Reference only

EU RoHS

**ELV and RoHS
Compliant**
REACH SVHC
Not Reviewed
**Halogen-Free
Status**
Not Reviewed

China RoHS



**Need more information on product
environmental compliance?**

Email productcompliance@molex.com
For a multiple part number RoHS Certificate of
Compliance, [click here](#)

Please visit the [Contact Us](#) section for any
non-product compliance questions.

Search Parts in this Series

[74320Series](#)

Mates With

[88744](#) , [74323](#)

Use With

[71781](#) Panel Mount Hex Screw Kit

Termination Interface: Style	Through Hole
Waterproof / Dustproof	No
Wire Size AWG	N/A

Electrical

Current - Maximum per Contact	3A
Grounding to Panel	Yes
Shield Type	Full Shield
Shielded	Yes
Voltage - Maximum	40V AC (RMS)

Solder Process Data

Duration at Max. Process Temperature (seconds)	10
Max. Cycles at Max. Process Temperature	1
Process Temperature max. C	260

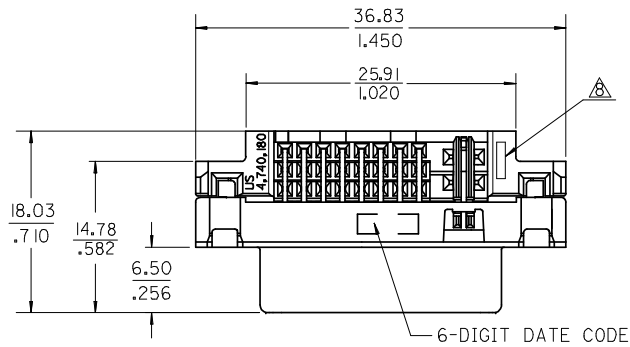
Material Info

Reference - Drawing Numbers

Product Specification	PS-74320-001
Sales Drawing	SD-74320-103

This document was generated on 04/05/2010

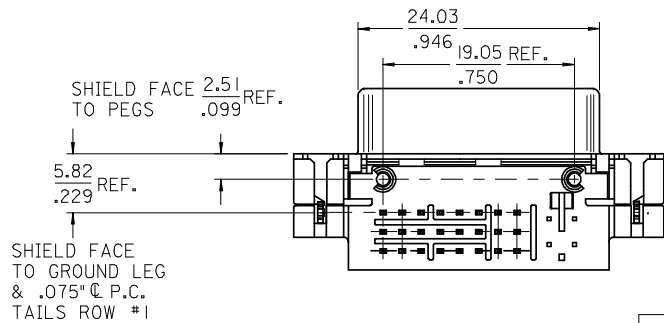
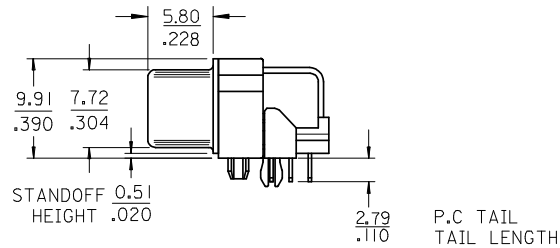
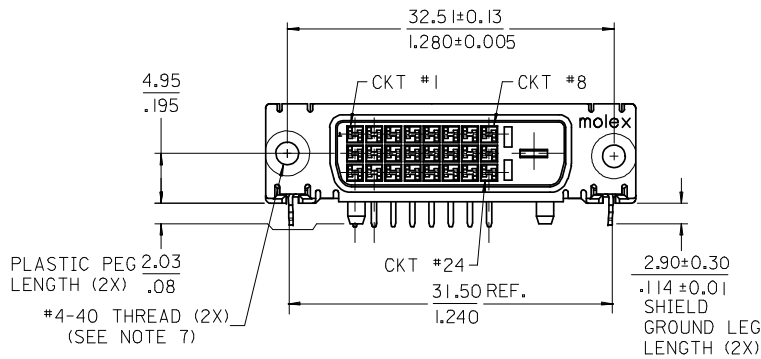
PLEASE CHECK WWW.MOLEX.COM FOR LATEST PART INFORMATION



NOTES:

- MATERIALS:
 SHIELD -- DEEP DRAW STEEL.
 HOUSING -- GLASS FILLED POLYMER, NATURAL (WHITE), UL 94v-0.
 TAIL ALIGNER -- GLASS FILLED POLYMER, NATURAL (WHITE), UL 94v-0.
 CONTACTS -- COPPER ALLOY.
 MICROCROSS GROUND -- COPPER ALLOY.
 JACKPOSTS -- STEEL
- PLATING: SEE SHEET 2
- PRODUCT CONFORMS TO MOLEX PRODUCT SPECIFICATION NUMBER PS-74320-001. REFER TO THIS SPECIFICATION FOR SPACING ON A P.C.B. OF TWO OR MORE CONNECTORS WHEN USING A CABLE OR AN ADAPTER ASSEMBLY.
- SEE SHEET 2 FOR RECOMMENDED PANEL CUT-OUT AND P.C.B. LAYOUT.
- PARTS WILL BE PACKAGED IN TRAYS PER PK-74320-009
- PRODUCT CONFORMS TO DDWG DVI SPECIFICATION. REFER TO THIS SPECIFICATION FOR CONNECTOR MATING DIMENSIONS.
- RECOMMENDED MOUNTING HARDWARE IS MOLEX P/N : 88780-6066 OR 82007-0300. OR 71781-0001. REFER TO PRODUCT SPECIFICATION NUMBER PS-74320-001 FOR THE APPLICATION TORQUE REQUIREMENT FOR ASSEMBLING MOUNTING HARDWARE.

△ CAVITY NO. AND MANUFACTURING PLANT CODE.



PART NUMBER	CONNECTOR	JACKPOST
74320-4006	74320-4026	47570-0002

REVISE EC NO: SH2008-0320 DRWN: XJSONG 2008/01/10 CHKD: JTIAN 2008/01/23 APPR: HWANG 2008/03/04	QUALITY SYMBOLS ▽=0 ◻=0	GENERAL TOLERANCES (UNLESS SPECIFIED) mm INCH 4 PLACES ± --- ± --- 3 PLACES ± --- ± .010 2 PLACES ± 0.25 ± .010 1 PLACE ± 0.25 ± .010 ANGULAR ± 3°	DIMENSION STYLE MM/IN DRAWN BY DATE XJSONG 2007/04/02 CHECKED BY DATE JTIAN 2007/04/02 APPROVED BY DATE JNCHEN 2007/04/02	SCALE 2:1 DESIGN UNITS INCH THIRD ANGLE PROJECTION	TITLE DVI-DITITAL RIGHT ANGLE RECEPTACLE CONNECTOR WITH JACKPOSTS	
	DRAFT WHERE APPLICABLE MUST REMAIN WITHIN DIMENSIONS	MATERIAL NO. 74320-4006	MOLEX INCORPORATED DOCUMENT NO. SD-74320-103	SHEET NO. 1 OF 2		
			SIZE A3	THIS DRAWING CONTAINS INFORMATION THAT IS PROPRIETARY TO MOLEX INCORPORATED AND SHOULD NOT BE USED WITHOUT WRITTEN PERMISSION		

F

E

D

C

B

A

F

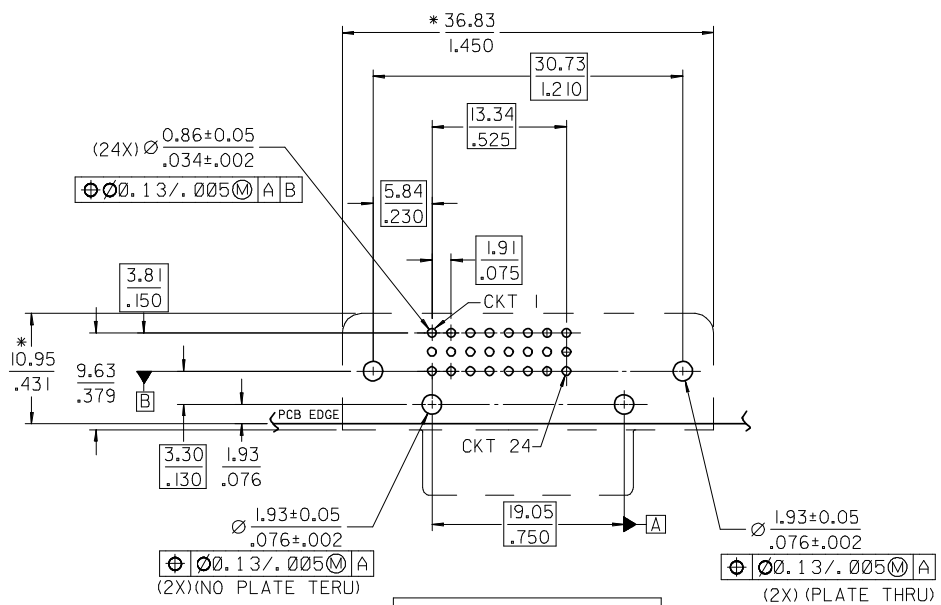
E

D

C

B

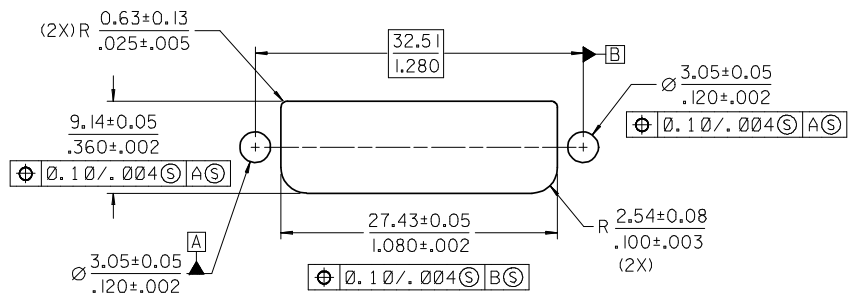
A



RECOMMENDED PCB LAYOUT

* THESE DIMENSIONS REPRESENT CONNECTOR OVERLAY ON PCB

PLATING OPTION :
 OUTER SHIELD -- 150u"/3.75um MIN. BRIGHT TIN OVER
 50u"/(1.27um) MIN. NICKEL OVER COPPER FLASH.
 .075"/1.91mm CONTACTS -- SELECT GOLD FLASH AND
 100u"/2.50um MIN. SELECT PURE TIN
 OVER 50u"/1.27um MIN. NICKEL OVERALL.



RECOMMEND PANEL CUT-OUT
 PANEL THICKNESS: 0.76 / .030 - 1.02 / .040

SEE SHEET 1	DESCRIPTION
EC NO: SHZ008-0320	DRWN: XJSONG
2008/01/10	CHKD: JTIAN
2008/01/23	APPR: HWANG
2008/03/04	

QUALITY SYMBOLS	GENERAL TOLERANCES (UNLESS SPECIFIED)
▽=0	mm INCH
∇=0	4 PLACES ± --- ± ---
	3 PLACES ± --- ± .010
	2 PLACES ± 0.25 ± .010
	1 PLACE ± 0.25 ± .010
	ANGULAR ± 3 °
	DRAFT WHERE APPLICABLE MUST REMAIN WITHIN DIMENSIONS

DIMENSION STYLE		SCALE	DESIGN UNITS	THIRD ANGLE PROJECTION
MM/IN		1:1	INCH	
DRAWN BY	DATE	TITLE		
XJSONG	2007/04/02	DVI-DITITAL RIGHT ANGLE RECEPTACLE CONNECTOR WITH JACKPOSTS		
CHECKED BY	DATE	MOLEX INCORPORATED		
JTIAN	2007/04/02	DOCUMENT NO.		
APPROVED BY	DATE	SHEET NO.		
JNCHEN	2007/04/02	2 OF 2		
MATERIAL NO.		THIS DRAWING CONTAINS INFORMATION THAT IS PROPRIETARY TO MOLEX INCORPORATED AND SHOULD NOT BE USED WITHOUT WRITTEN PERMISSION		
67351-4006		SD-74320-103		