

PLEASE CHECK WWW.MOLEX.COM FOR LATEST PART INFORMATION

Part Number: [0351800400](#)
Status: **Active**
Description: 1.78mm (.070") Tab Multiple Wire-to-Wire Male Housing With Ear, 4 Circuits, Vertical, Polyester UL94V-0, Natural

Documents:

[Drawing \(PDF\)](#) [RoHS Certificate of Compliance \(PDF\)](#)
[Product Specification PS-35180-002 \(PDF\)](#)

Agency Certification

CSA LR19980
 UL E29179

General

Product Family Crimp Housings
 Series [35180](#)
 Comments Polarized to Mating Part
 Product Name N/A

Physical

Breakaway No
 Circuits (maximum) 4
 Color - Resin Natural
 Flammability 94V-0
 Gender Male
 Glow-Wire Compliant No
 Keying to Mating Part None
 Lock to Mating Part Yes
 Material - Resin Polyester
 Number of Rows 2
 Packaging Type Bag
 Panel Mount Yes
 Pitch - Mating Interface (in) 0.315 In, 0.343 In
 Pitch - Mating Interface (mm) 8.00 mm, 8.70 mm
 Stackable No
 Temperature Range - Operating -40°C to +120°C

Material Info

Reference - Drawing Numbers

Product Specification PS-35180-002
 Sales Drawing SD-35180-040*

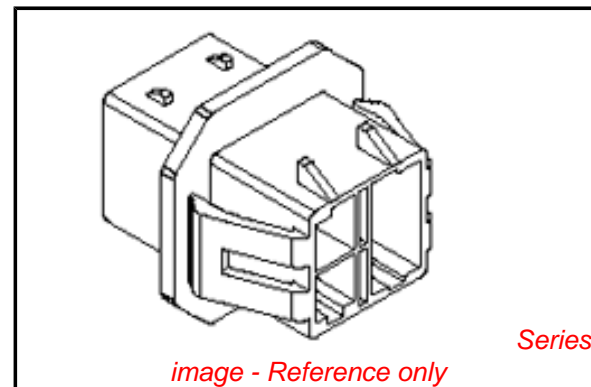


image - Reference only

EU RoHS

**ELV and RoHS
 Compliant**
REACH SVHC
 Not Reviewed
**Halogen-Free
 Status**
Not Reviewed

China RoHS



**Need more information on product
 environmental compliance?**

Email productcompliance@molex.com
 For a multiple part number RoHS Certificate of
 Compliance, [click here](#)

Please visit the [Contact Us](#) section for any
 non-product compliance questions.

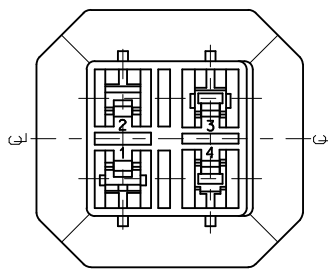
Search Parts in this Series

[35180Series](#)

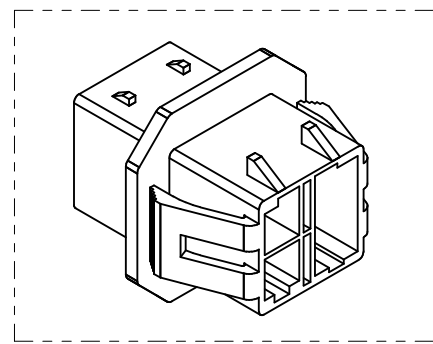
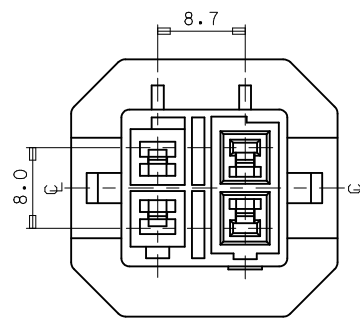
Mates With

Use With

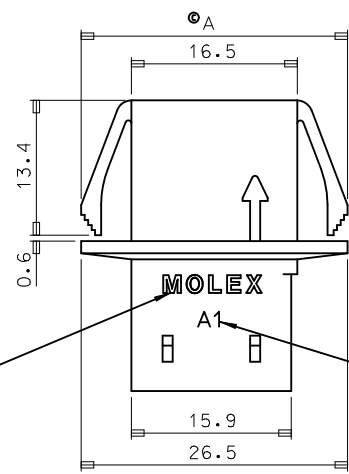
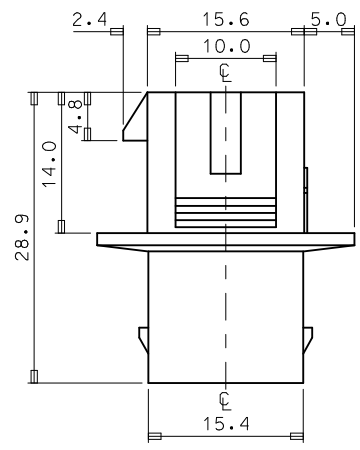
[35745](#) Crimp Terminal, [35746](#) Crimp
 Terminal, [35747](#) Crimp Terminal, [35748](#)
 Crimp Terminal



VIEW "A"



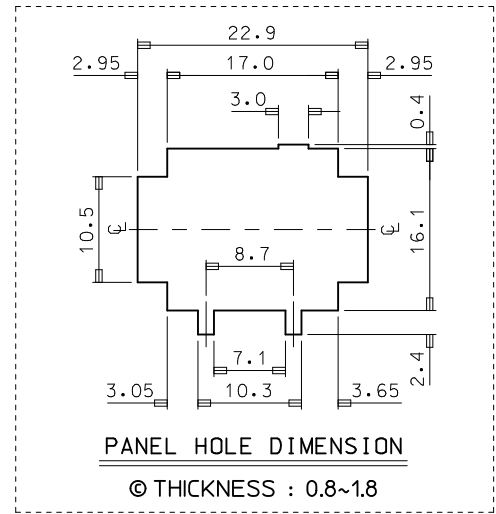
- NOTES.
1. MATERIAL & COLOR : SEE TABLE
 2. MATED HOUSING : 35181-020*, 35965-020*/920*
35181-021*, 35965-021*/921*
 3. APPLICABLE TERMINAL : 35745-0*10 (1 CIRCUIT)
35746-0*10 (3 CIRCUIT)
35747-0*10 (2 CIRCUIT)
35748-0*10 (4 CIRCUIT)
 4. APPLICABLE T.P.A : 35181-029*
 5. PRODUCT SPECIFICATION : PS-35180-002



TRADE MARK

©TOOL & CAVITY NO
(TOOL:A,B..CAV:1,2..)

VIEW "A"



NO	PRODUCT		MATERIAL		DIMENSION ①(A)
	PART NO	MATERIAL NO	COLOR	DESCRIPTION	
1	35180-0400	351800400	NATURAL	PBT (UL94V-0)	26.2
2	35180-0404	351800404	BLUE		
3	35180-0409	351800409	NATURAL	PC/PET (UL94V-0)	26.5
4	35180-3409	351803409	YELLOW		
5	35180-4409	351804409	BLUE		

REVISED	EC NO: KOR2010-009Z	2010/01/14
	DRWN: JHPARK01	2010/01/14
C	CHKD: MY YANG	2010/01/14
	APPR: YUNSIKKIM	2010/01/14
REV	DESCRIPTION	

QUALITY SYMBOLS	GENERAL TOLERANCES (UNLESS SPECIFIED)	
	mm	INCH
▽=0	4 PLACES ± ---	± ---
▽=0	3 PLACES ± ---	± ---
	2 PLACES ± ---	± ---
	1 PLACE ± 0.3	± ---
	ANGULAR ± 1°	
	DRAFT WHERE APPLICABLE MUST REMAIN WITHIN DIMENSIONS	

DIMENSION STYLE		SCALE	DESIGN UNITS	THIRD ANGLE PROJECTION
MM ONLY		2:1	METRIC	☉
DRAWN BY	DATE	TITLE		
JS.KANG		.070 MULTI W/W CONN MALE HSG-4P		
CHECKED BY	DATE			
APPROVED BY	DATE			
MATERIAL NO.	DOCUMENT NO.	SHEET NO.		
SEE TABLE	SD-35180-040*	1 OF 01		

DRAWN BY		DATE	TITLE	
JS.KANG			.070 MULTI W/W CONN MALE HSG-4P	
CHECKED BY		DATE		
APPROVED BY		DATE		
MATERIAL NO.		DOCUMENT NO.	SHEET NO.	
SEE TABLE		SD-35180-040*	1 OF 01	
THIS DRAWING CONTAINS INFORMATION THAT IS PROPRIETARY TO MOLEX INCORPORATED AND SHOULD NOT BE USED WITHOUT WRITTEN PERMISSION				