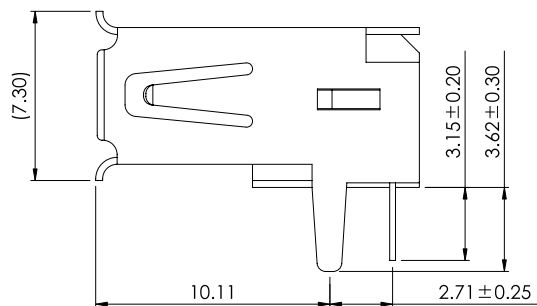
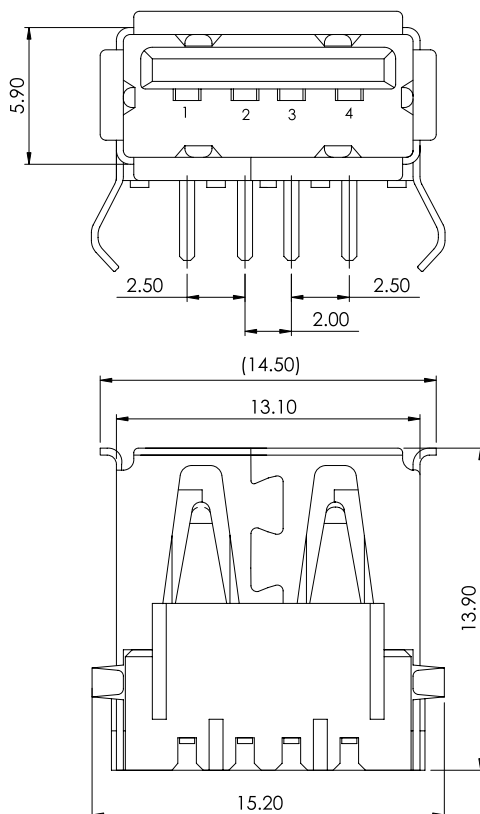




020145MR Series

Specifications:

- **Insulator material** : P.B.T UL94V-0
- **Operating Type Range** : -40°C TO +105°C
- **Terminal Material** : Phos. Bronze
- **Platings** : Gold Plated or Selective Gold/Tin Over Nickel
- **Max. Current Rating** : 1.0A
- **Max. Voltage Rating** : 150V AC
- **Dielectric Strength** : 500V AC For 60 Seconds



Desk
Top

Order Information

020145MR004□□00□A
1 2 3 4 5

1. 'R' : Right Angle DIP Type
2. No. of Pins
3. Plating
4. Color 'Z' : Black
'N' : White
5. Package
'A' : Tray Package Without Cap

Reference Page 11

Recommended P.C.B Layout

