

Specifications

Insulation Resistance:	1000MΩ min.
Current Rating:	1A max. per contact
Voltage Rating:	30V ACrms max.
Withstanding Voltage:	500V AC
Contact Resistance:	30mΩ max. (initial)

Part Numbers

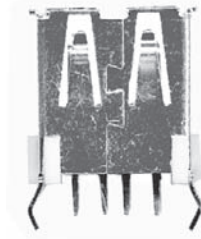
USB-A-004

*USB-A-004-30

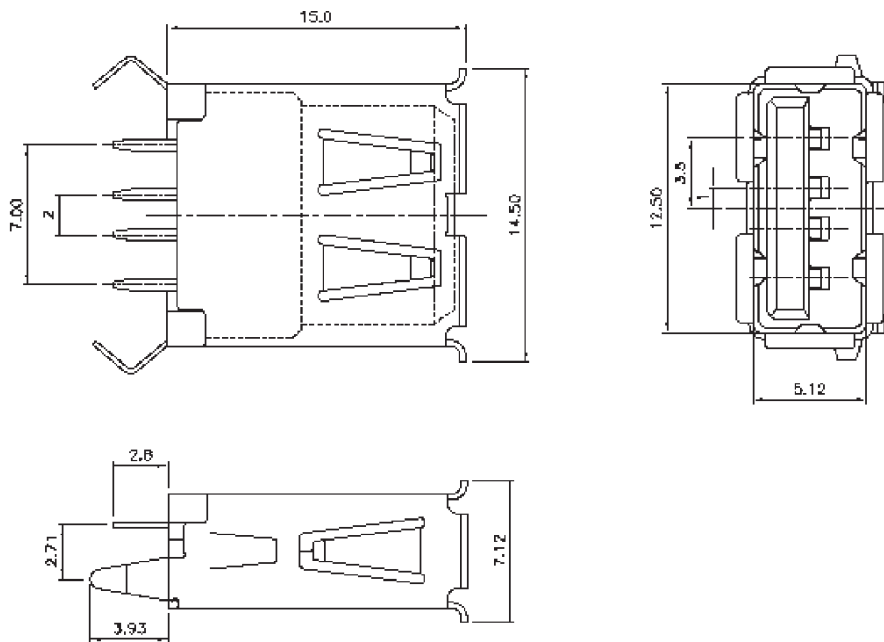
* see Materials and Finish

Materials and Finish

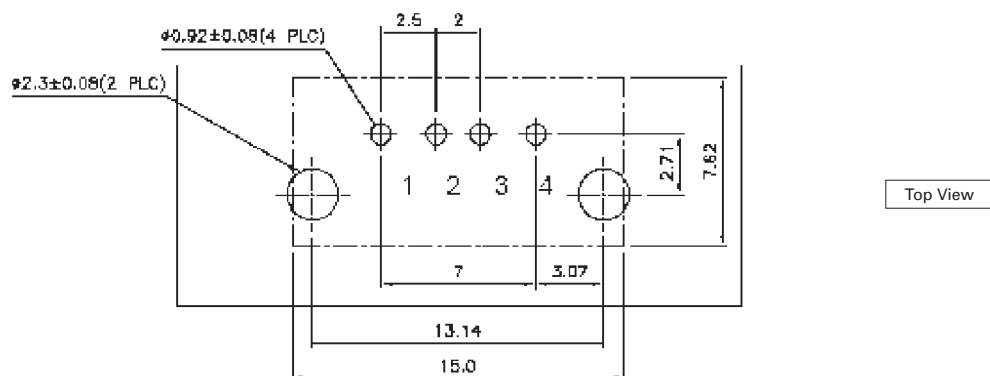
Housing:	Thermoplastic, glass filled (UL94V-0)
Shell:	Copper Alloy, Nickel Plating
Contacts:	Copper Alloy
Contact Plating:	Solder Terminal - Sn over Ni
Mating Area	- USB-A-004 = Au Flash over Ni - USB-A-004-30 = 30μ" Au over Ni



180° Through Hole Type



Recommended PCB Layout



Series USB-A Universal Serial Bus - 90° Single Port Receptacle (TH)

Specifications

Insulation Resistance:	1000M Ω min.
Current Rating:	1A max. per contact
Voltage Rating:	30V ACrms max.
Withstanding Voltage:	500V AC
Contact Resistance:	30m Ω max. (initial)

Part Numbers

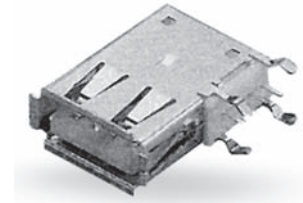
USB-A-005A

*USB-A-005A-30

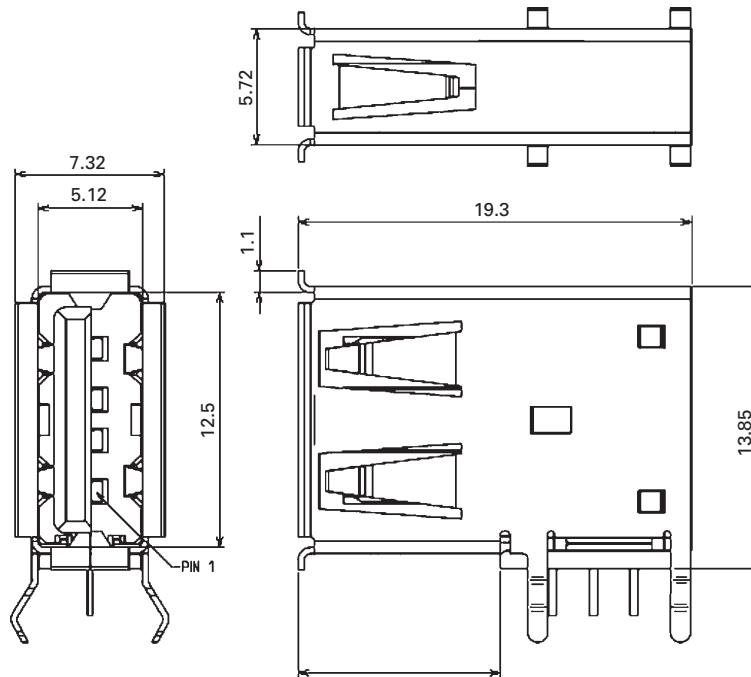
* see Materials and Finish

Materials and Finish

Housing:	PBT, glass filled (UL94V-0)
Shell:	Copper Alloy, Nickel Plating
Contacts:	Copper Alloy
Contact Plating:	Solder Terminal - Sn over Ni
Mating Area	- USB-A-005A = Au Flash over Ni - USB-A-005A-30 = 30 μ " Au over Ni



Vertical Through Hole Type



USB (Universal Serial Bus and IEEE 1394)

Recommended PCB Layout

