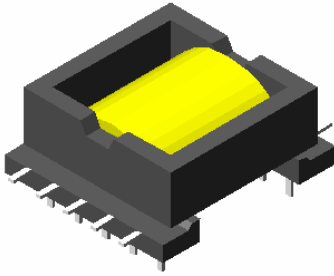




ADSL LINE TRANSFORMER

P/N: AD-7017 DATA SHEET

Feature

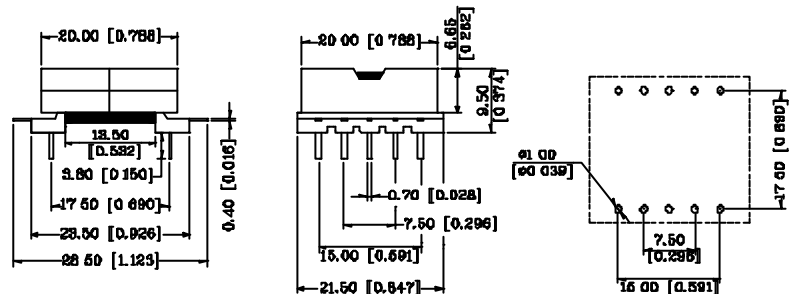
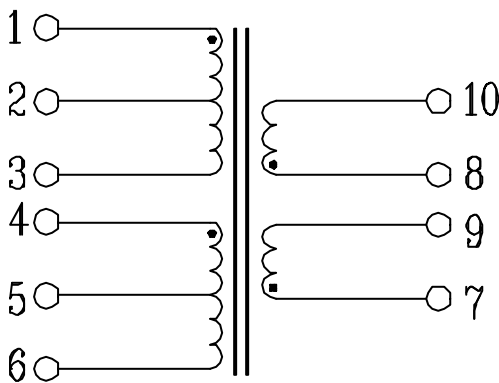


- Storage Temperature: -25 to +75 .
- Operating Temperature: 0 to +60 .

Electrical Specifications @ 25° C					
Part Number	OCL(μH)	DCR(Ω)			HIPOT (Vrms)
		(1-3)	(10-7)(8-9)	(4-6)	
AD-7017	600-800	0.31	0.15	1.0	1500

Schematic

Mechanical



Units: mm[Inches] all Tolerances are :±0.25[0.010]

PCB LAYOUT