

PLEASE CHECK WWW.MOLEX.COM FOR LATEST PART INFORMATION

Part Number: [0473913001](#)

Status: **Active**

Overview: [external serial ata](#)

Description: 1.27mm (.050") Pitch External Serial ATA Shelled Plug without Flange, Bottom Mount, Right Angle, Unmating Height 5.35mm (.211"), 0.76µm (30µ")Gold(Au) Plating, 7 Circuits, with Vacuum Pick-Up Tape, Lead Free

Documents:

[Drawing \(PDF\)](#)

[RoHS Certificate of Compliance \(PDF\)](#)

[Product Specification PS-47082-001 \(PDF\)](#)

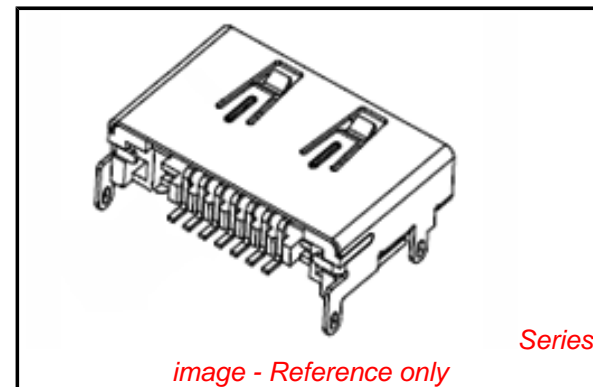


image - Reference only

General

Product Family	I/O Connectors
Series	47391
Application	Wire-to-Board
Comments	Without Flange
Component Type	Plug, Receptacle
Overview	external serial ata
Product Name	External Serial ATA
Type	N/A

Physical

Boot Color	N/A
Circuits (Loaded)	7
Circuits (maximum)	7
Color - Resin	Black
Gender	Plug
Keying to Mating Part	Yes
Lock to Mating Part	Yes
Material - Plating Mating	Gold
Material - Plating Termination	Tin
Number of Rows	1
Orientation	Right Angle
PCB Locator	Yes
PCB Retention	Yes
PCB Thickness Recommended (in)	0.051 In
PCB Thickness Recommended (mm)	1.30 mm
Packaging Type	Embossed Tape on Reel
Panel Mount	Yes
Pitch - Mating Interface (in)	0.050 In
Pitch - Mating Interface (mm)	1.27 mm
Pitch - Term. Interface (in)	0.050 In
Pitch - Term. Interface (mm)	1.27 mm
Plating min: Mating (µin)	30
Plating min: Mating (µm)	0.76
Plating min: Termination (µin)	50
Plating min: Termination (µm)	1.27
Polarized to Mating Part	Yes
Polarized to PCB	Yes
Ports	1
Temperature Range - Operating	-35°C to +85°C
Termination Interface: Style	Surface Mount
Waterproof / Dustproof	No

Electrical

Current - Maximum per Contact	1.5A
-------------------------------	------

EU RoHS

**ELV and RoHS
Compliant**
**REACH SVHC
Not Reviewed**
**Halogen-Free
Status
Not Reviewed**

China RoHS



**Need more information on product
environmental compliance?**

Email productcompliance@molex.com
For a multiple part number RoHS Certificate of
Compliance, [click here](#)

Please visit the [Contact Us](#) section for any
non-product compliance questions.

Search Parts in this Series

[47391Series](#)

Mates With

[68782](#) External Serial ATA Receptacle
Cable

Grounding to Panel	Yes
Shielded	Yes
Voltage - Maximum	15V DC

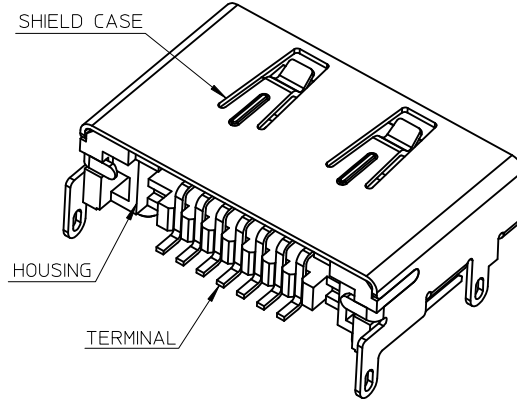
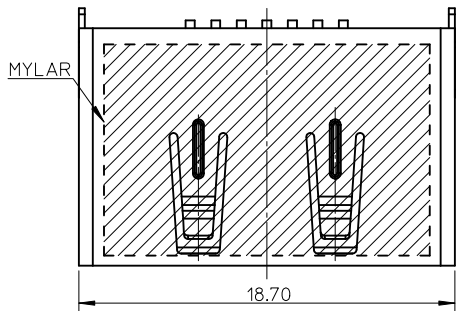
Material Info

Reference - Drawing Numbers

Packaging Specification	PK-47379-001
Product Specification	PS-47082-001
Sales Drawing	SD-47391-300

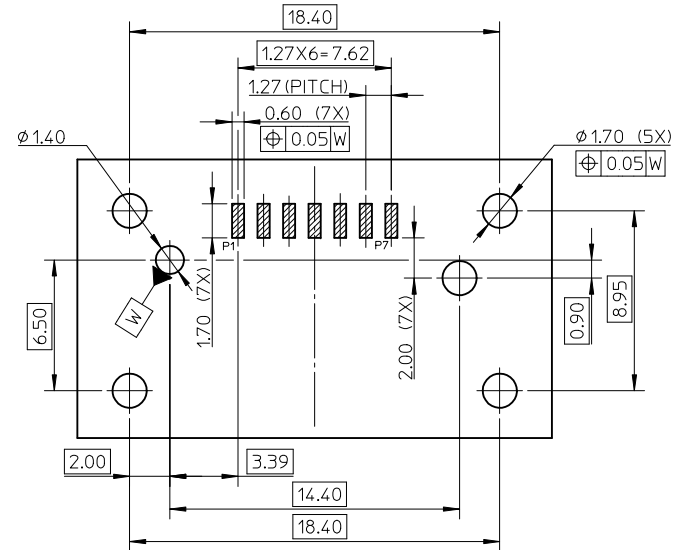
This document was generated on 05/19/2010

PLEASE CHECK WWW.MOLEX.COM FOR LATEST PART INFORMATION

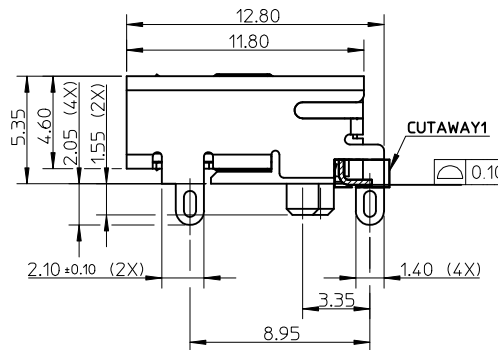
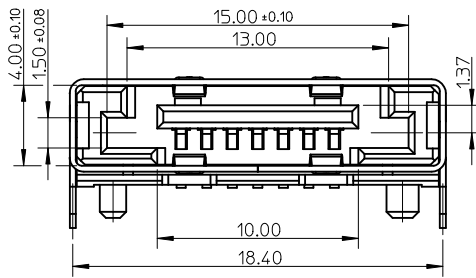


PIN ASSIGNMENT

I/O SATA	
NAME	TYPE
P1	GND
P2	A+
P3	A-
P4	GND
P5	B-
P6	B+
P7	GND



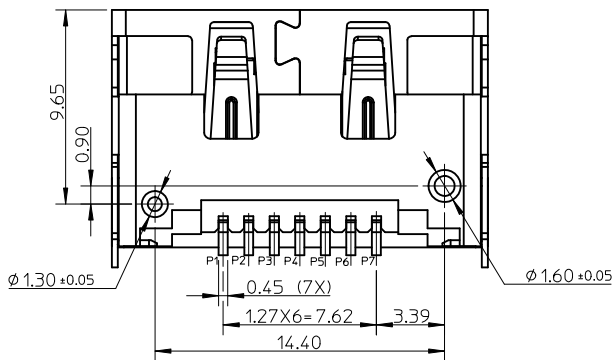
RECOMMEND PCB LAYOUT(CONNECTOR SIDE)
THICKNESS=1.30 (ALL TOLERANCE: +/-0.05)



NOTES:

- MATERIAL:
HOUSING: PA6T. COLOR: BLACK, UL94V-0.
SHIELD CASE: COPPER ALLOY.
TERMIANL: COPPER ALLOY.
- PLATING:
SHIELD CASE: 2.54~5.08 MICROMETRE SOLDERABLE NICKEL PLATING OVER ALL.
TERMINAL: CONTACT AREA GOLD PLATING, DETAIL SEE TABLE,
SOLDER TAIL 1.27~2.54 MICROMETRE TIN ALLOY PLATING OVER 1.27 MICROMETRE MIN. NICKEL PLATING OVER ALL.
- PRODUCT SPECIFICATION: PS-47082-001.
- PACKAGE SPECIFICATION: PK-47379-001.
- PRODUCT COMPLIANT TO RoHS DIRECTIVE 2002/95/EC AND ELV DIRECTIVE 2000/53/EC.

47391-3002	0.38 MICROMETRE MIN. GOLD
47391-3001	0.76 MICROMETRE MIN. GOLD
47391-3000	GOLD FLASH
PART NO.	CONTACT AREA PLATING



<p>NEW RELEASE EC NO: SH2010-0281 DRWN:XQZHANG CHKD:GLLI APPR:XJSONG</p>	<p>2010/01/15 2010/01/15 2010/02/01</p>	<p>QUALITY SYMBOLS FA=0 FC=0 FP=0</p>	<p>GENERAL TOLERANCES (UNLESS SPECIFIED)</p> <table border="1"> <thead> <tr> <th></th> <th>mm</th> <th>INCH</th> </tr> </thead> <tbody> <tr> <td>4 PLACES</td> <td>± ---</td> <td>± ---</td> </tr> <tr> <td>3 PLACES</td> <td>± ---</td> <td>± ---</td> </tr> <tr> <td>2 PLACES</td> <td>± 0.20</td> <td>± ---</td> </tr> <tr> <td>1 PLACE</td> <td>± 0.25</td> <td>± ---</td> </tr> </tbody> </table> <p>ANGULAR ± 3 °</p>		mm	INCH	4 PLACES	± ---	± ---	3 PLACES	± ---	± ---	2 PLACES	± 0.20	± ---	1 PLACE	± 0.25	± ---	<p>DIMENSION STYLE MM ONLY</p>	<p>SCALE 4:1</p>	<p>DESIGN UNITS METRIC</p>	<p>THIRD ANGLE PROJECTION</p>
		mm	INCH																			
	4 PLACES	± ---	± ---																			
	3 PLACES	± ---	± ---																			
2 PLACES	± 0.20	± ---																				
1 PLACE	± 0.25	± ---																				
<p>REV A</p>	<p>DESCRIPTION</p>	<p>DRAFT WHERE APPLICABLE MUST REMAIN WITHIN DIMENSIONS</p>	<p>DRAWN BY XQZHANG</p> <p>CHECKED BY XJSONG</p> <p>APPROVED BY XJSONG</p> <p>MATERIAL NO. SEE TABLE</p>	<p>DATE 2009/09/23</p> <p>DATE 2009/09/23</p> <p>DATE 2009/09/23</p>	<p>TITLE EXTERNAL SATA PLUG SMT WITH SHELL BOTTOM MOUNT TYPE</p>	<p>MOLEX INCORPORATED</p>	<p>SHEET NO. 1 OF 1</p>															
			<p>SIZE A3</p>	<p>THIS DRAWING CONTAINS INFORMATION THAT IS PROPRIETARY TO MOLEX INCORPORATED AND SHOULD NOT BE USED WITHOUT WRITTEN PERMISSION</p>																		
			<p>DOCUMENT NO. SD-47391-300</p>																			