

PLEASE CHECK WWW.MOLEX.COM FOR LATEST PART INFORMATION

Part Number: [0008701039](#)
Status: **Active**
Overview: [spox_bmi](#)
Description: 2.50mm (.098") Pitch SPOX™ Wire-to-Board Crimp Terminal, Reel

Documents:

[3D Model](#) [Product Specification PS-5264-001 \(PDF\)](#)
[Drawing \(PDF\)](#) [RoHS Certificate of Compliance \(PDF\)](#)

General

Product Family Crimp Terminals
 Series [5263](#)
 Crimp Quality Equipment Yes
 Overview [spox_bmi](#)
 Product Name SPOX™

Physical

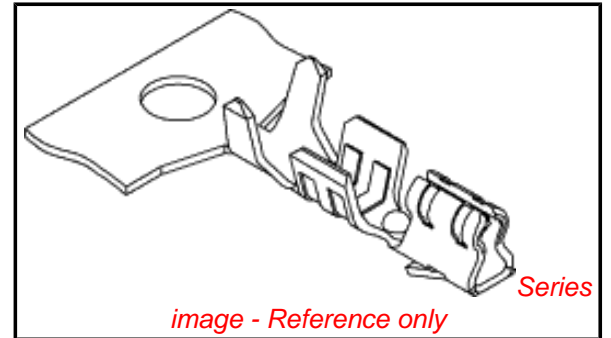
Gender Female
 Material - Metal Phosphor Bronze
 Material - Plating Mating Tin
 Material - Plating Termination Tin
 Packaging Type Reel
 Plating min: Mating (µin) 36
 Plating min: Mating (µm) 0.90
 Plating min: Termination (µin) 36
 Plating min: Termination (µm) 0.90
 Termination Interface: Style Crimp or Compression
 Wire Insulation Diameter 1.90mm (.075") max.
 Wire Size AWG 22, 24, 26, 28
 Wire Size mm² N/A

Material Info

Old Part Number 5263PBT

Reference - Drawing Numbers

Packaging Specification [SPK-5263-001](#)
 Product Specification [PS-5264-001](#), [RPS-5263-001](#), [RPS-5264-002](#),
[RPS-5264-003](#), [RPS-5264-004](#), [RPS-5264-005](#),
[RPS-5264-006](#)
 Sales Drawing [SD-5263-003](#)



EU RoHS

**ELV and RoHS
 Compliant
 REACH SVHC
 Contains SVHC: No
 Halogen-Free
 Status**

China RoHS



**Need more information on product
 environmental compliance?**

Email productcompliance@molex.com
 For a multiple part number RoHS Certificate of
 Compliance, [click here](#)

Please visit the [Contact Us](#) section for any
 non-product compliance questions.

Search Parts in this Series

[5263Series](#)

Use With

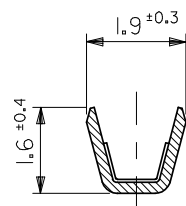
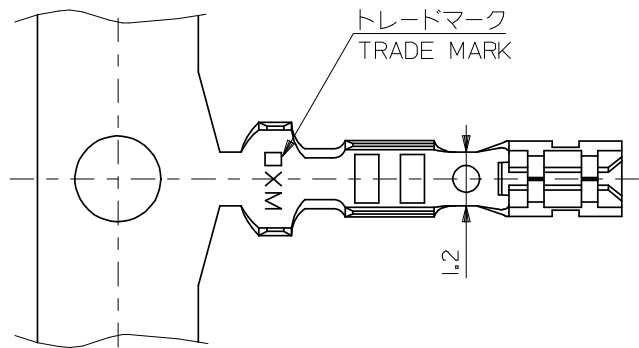
[5264](#)

Application Tooling | FAQ

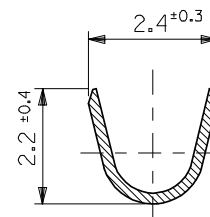
*Tooling specifications and manuals are
 found by selecting the products below.
 Crimp Height Specifications are then
 contained in the Application Tooling
 Specification document.*

Global

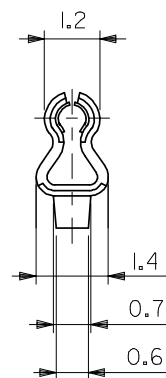
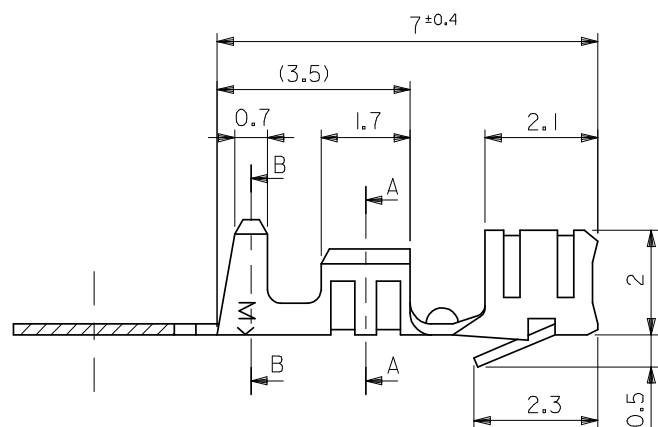
Description	Product #
Hand Crimp Tool	0638115200
Manual Extraction Tool	0638131400
FineAdjust™ Applicator	0639005000
T2 Terminator Tooling Die	0639105000



断面 A-A
SECT. A-A

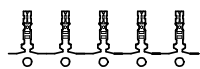
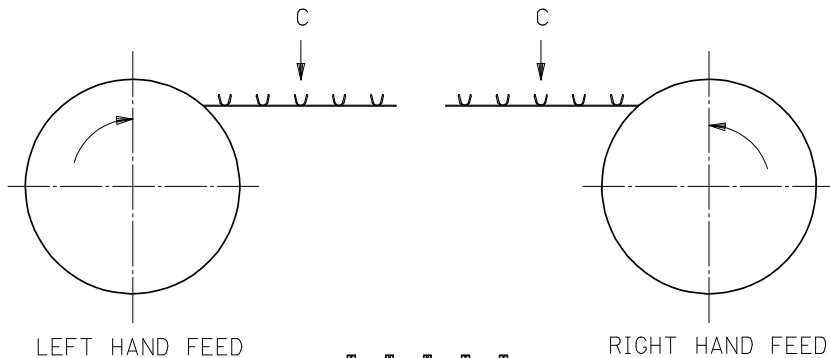


断面 B-B
SECT. B-B



注記
NOTE

- 材質：リン青銅 (t=0.203)
MATERIAL : PHOSPHOR BRONZE
- メッキ：前錫メッキ
FINISH : PRE TINNED
- 使用ハウジング：5264 シリーズ
SUITABLE HOUSING : 5264 SERIES
- 適用電線範囲：AWG#22~28 (0.33 ~ 0.08mm²)
WIRE RANGE : AWG #22-28(0.33 - 0.08mm²)
- 被覆外形：φ1.15 ~ φ1.9
INSULATION RANGE : φ 1.15 - φ1.9



VIEW C

RIGHT HAND	39-00-0159	5263PBTR	連鎖状 CHAIN
LEFT HAND	08-70-1040	5263PBTL	バラ状 LOOSE
	08-70-1039	5263PBT	連鎖状 CHAIN
FEED TYPE	EDP NO.	ENG. NO.	端子形状 FORM

REVISED EC NO: J2008-4450 T DRWN: NABEI 2008/07/01 CH'KD: KTOYODA 2008/07/02 APPR: NUKITA 2008/07/02	GENERAL TOLERANCES (UNLESS SPECIFIED)		DIMENSION STYLE	SCALE	DESIGN UNITS	MODEL NO.	
			MM ONLY	10:1	METRIC	5263PBT*	
	10 UNDER ±0.2		DRAWN BY	DATE	THIRD ANGLE PROJECTION		
	10 OVER 30 UNDER ±0.25		K. TOJO	'91/07/19	2.5 LOW PROFILE CRIMP RECEPTACLE		
	30 OVER ±0.3		CHECKED BY	DATE	MOLEX INCORPORATED		
	ANGULAR ±3 °		M. FUKUSHIMA	'91/08/09	SD-5263-003		
DRAFT WHERE APPLICABLE MUST REMAIN WITHIN DIMENSIONS		APPROVED BY	DATE	SHEET NO.			
		M. ENOMOTO	'91/08/09	1 OF 1			
		MATERIAL NO.	SEE TABLE	DOCUMENT NO.			
		SIZE	A3	THIS DRAWING CONTAINS INFORMATION THAT IS PROPRIETARY TO MOLEX INCORPORATED AND SHOULD NOT BE USED WITHOUT WRITTEN PERMISSION			