

Features

- Universal Input Voltage 90-264 VAC, 130-370 VDC, 47-63 Hz
- Internal EMI filter
- Input connector mates with Molex housing 09-50-3051 and Molex 2478 and 2578 series crimp terminal
- Output connector mates with Molex housing 09-50-3131 and Molex 2478 and 2578 series crimp terminal
- Input Surge current, over voltage and over load protection
- Power factor correction
- Power fail detect (optional)
- Class I Insulation
- Size : 3" x 5" x 1.28"(1U)
- Two Year Warranty



Model Number	Output Voltage	Preset Voltage ¹	Output Current ²	Total Regulation	Max Output Power
VSBU-120-3.3	3~5 VDC	3.3 VDC	22.00~20.00 A	5%	100 W
VSBU-120-5	5~6 VDC	5 VDC	22.00~18.33 A	5%	110 W
VSBU-120-7.5	6~9 VDC	7.5 VDC	19.16~12.77 A	5%	115 W
VSBU-120-9	9~11 VDC	9 VDC	13.33~10.90 A	4%	120 W
VSBU-120-12	11~13 VDC	12 VDC	10.90~9.23 A	3%	120 W
VSBU-120-15	13~16 VDC	15 VDC	9.23~7.50 A	3%	120 W
VSBU-120-18	16~21 VDC	18 VDC	7.50~5.71 A	2%	120 W
VSBU-120-24	21~27 VDC	24 VDC	5.71~4.44 A	2%	120 W
VSBU-120-30	27~33 VDC	30 VDC	4.44~3.63 A	2%	120 W
VSBU-120-36	33~40 VDC	36 VDC	3.63~3.00 A	2%	120 W
VSBU-120-48	40~50 VDC	48 VDC	3.00~2.40 A	2%	120 W

Notes:

- 1 Customer must specify output voltage.
- 2 Output current is limited by output power.

Electrical Characteristics

Parameter	Test Conditions	Min.	Typ.	Max.	Unit
Input Voltage		90		264	VAC
		130		370	VDC
Input Frequency		47		63	Hz
Power Factor Correction	Full load at 90~260VAC	0.95	0.97	1.0	
Output Power Range	at 90 to 264 VAC	0		120	W
Input Current (low line)	Full load at 115VAC			1.7	A
Input Current (high line)	Full load at 230VAC			1.0	A
Low Line Inrush Current	Full load, 25°C, cool start, at 115VAC		12	15	A
High Line Inrush Current	Full load, 25°C, cool start, at 230VAC		26	30	A
Efficiency	Full load, at 230VAC	70	80	88	%
Line Regulation	Full load		0.5	1	%
Load Regulation	at 230VAC		3	5	%
Over Voltage Protection		112		132	%
Over Current Protection		110		150	%
Transient Response	Full load to Half load, at 100VAC			4	mS
Hold-Up Time	Full load, at 110VAC	16			mS
Start up time	Full load, at 100VAC	0.3	1	2	S
Ripple & Noise (Peak to Peak)	Full load, at 90VAC		0.2	1	%
Safety Ground Leakage Current	Full load, at 240VAC		0.4	0.75	mA
Temperature Coefficient	All output	-0.04		0.04	%/°C

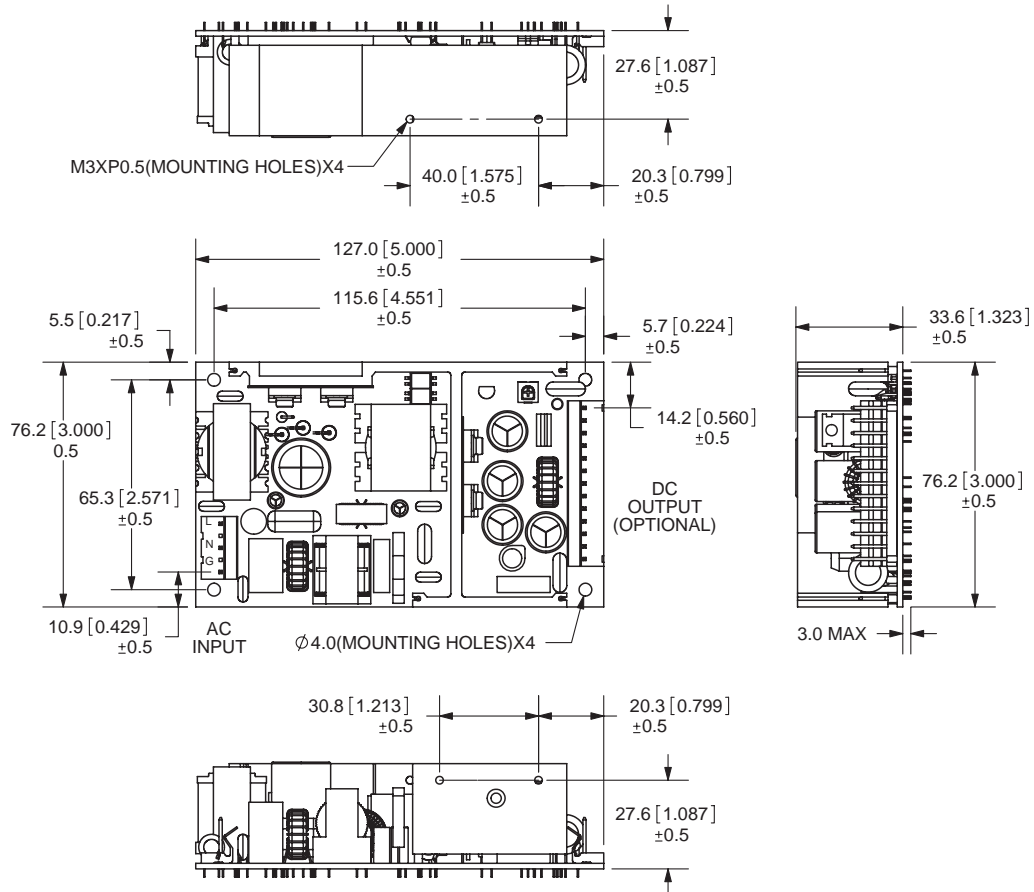
Environmental

Parameter	Test Conditions	Min.	Typ.	Max.	Unit
Operating Temperature		0		70	°C
Storage Temperature		-40		85	°C
Relative Humidity		5		95	%
Derating	Derate linearly from 100% load at 50°C to 50% load at 70°C				

Safety Specifications

Parameter	Test Conditions	Min.	Typ.	Max.	Unit
Dielectric withstanding voltage	Primary to secondary	4242			VDC
Dielectric withstanding voltage	Primary to ground	2121			VDC
Isolation resistance	Test voltage=500VDC	50			MΩ
EMI requirements for CISPR-22	at 220VAC	B			Class
EMI requirements for FCC part-15	at 110 VAC	B			Class

V-Infinity reserves the right to make changes to its products or to discontinue any product or service without notice, and to advise customers to verify the most up-to-date product information before placing orders. V-Infinity assumes no liability or responsibility for customer's applications using V-Infinity products other than repair or replacing (at V-I's option) V-Infinity products not meeting V-I's published specifications. Nothing will be covered outside of standard product warranty.

Mechanical Specifications

Note:

1. Dimensions are shown in mm (inches).
2. Weight: 330~380 g (approx.)
3. Input connector mates with Molex housing 09-50-3051 and Molex 2478 or 2578 series crimp terminal.
4. Output connector mates with Molex housing 09-05-3131 and Molex 2478 or 2578 series crimp terminal.

Pin	1	2	3	4	5	6	7	8	9	10	11	12	13 (optional)
Model													
VSBU-120-XX	OUT	OUT	OUT	OUT	OUT	OUT	COM	COM	COM	COM	COM	COM	PFD