

**PLEASE CHECK WWW.MOLEX.COM FOR LATEST PART INFORMATION**

**Part Number:** **0194360412**  
**Status:** **Active**  
**Overview:** mx150l sealed connector system  
**Description:** MX150L™ 4 Circuit Rear Mount Flange Sealed Panel Mount Plug for 8 AWG Wire, with Gasket

**Documents:**

[3D Model](#) [Product Specification PS-19432-001 \(PDF\)](#)  
[Drawing \(PDF\)](#) [RoHS Certificate of Compliance \(PDF\)](#)

**General**

Product Family	Crimp Housings
Series	<u>19436</u>
Comments	Mat Seal Color Red, Polarized to Mating Part
Overview	<u>mx150l sealed connector system</u>
Product Literature Order No	987650-2181
Product Name	MX150L™

**Physical**

Circuits (maximum)	4
Circuits Detail	2x2
Gender	Plug
Glow-Wire Compliant	No
Keying to Mating Part	N/A
Lock to Mating Part	Yes
Number of Rows	2
Packaging Type	Bag
Panel Mount	Yes
Pitch - Mating Interface (in)	0.300 In
Pitch - Mating Interface (mm)	7.62 mm
Pitch - Term. Interface (in)	0.300 In
Pitch - Term. Interface (mm)	7.62 mm
Polarized to Mating Part	No
Ports	1
Stackable	No
Temperature Range - Operating	-40°C to +125°C

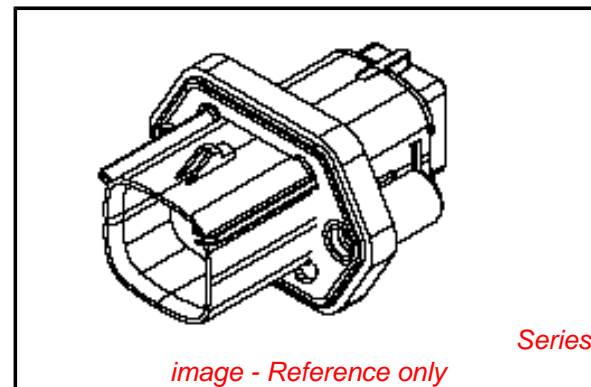
**Electrical**

Current - Maximum per Contact	40A
-------------------------------	-----

**Material Info**

**Reference - Drawing Numbers**

Packaging Specification	PK-19436-001
Product Specification	PS-19432-001
Sales Drawing	SD-19436-002



*image - Reference only*

**EU RoHS**

**ELV and RoHS  
Compliant**  
**REACH SVHC**  
 Not Reviewed  
**Halogen-Free  
Status**

**China RoHS**



**Need more information on product  
environmental compliance?**

Email [productcompliance@molex.com](mailto:productcompliance@molex.com)  
 For a multiple part number RoHS Certificate of Compliance, [click here](#)

Please visit the [Contact Us](#) section for any non-product compliance questions.

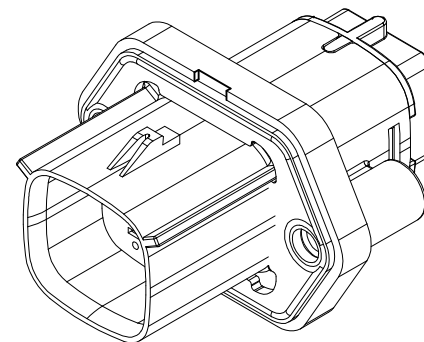
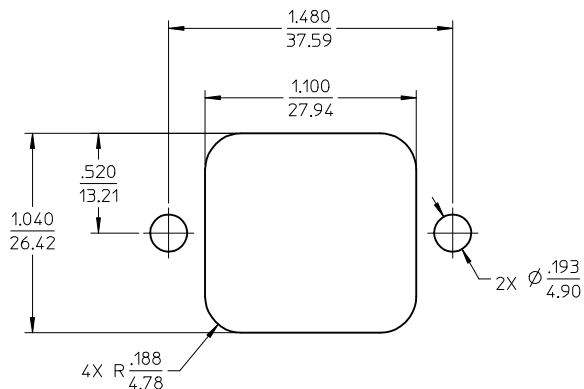
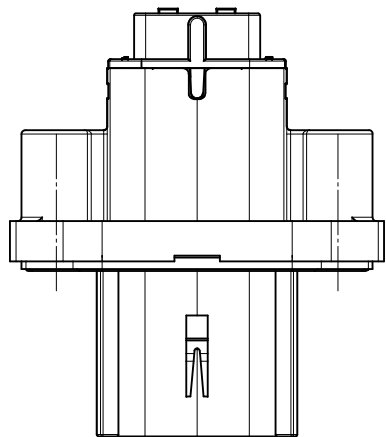
**Search Parts in this Series**

[19436Series](#)

**Mates With**

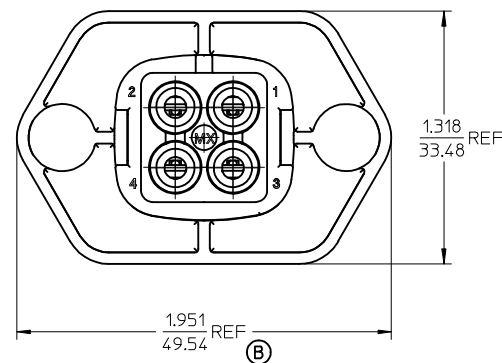
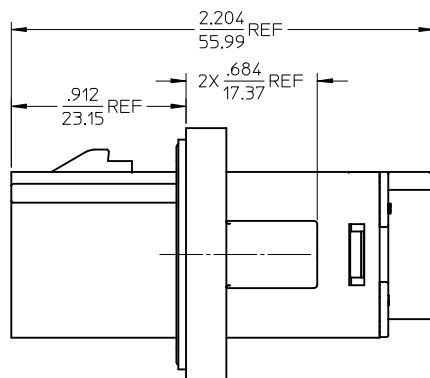
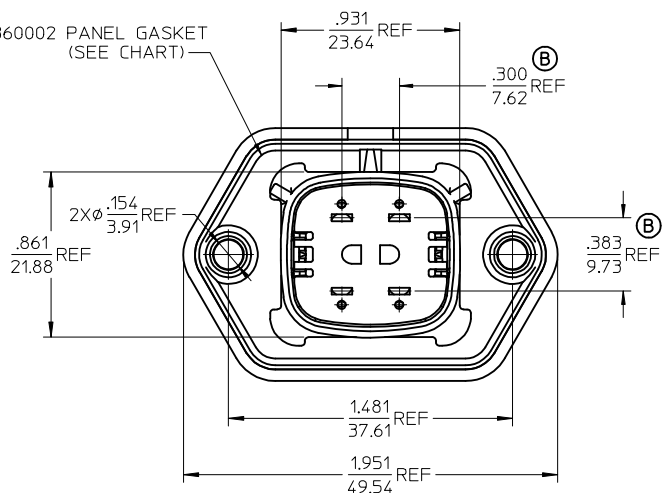
[19432 Receptacle](#)

**Use With**



RECOMMENDED PANEL MOUNT  
OPENING, MAXIMUM PANEL  
THICKNESS .080/2.03

194360002 PANEL GASKET  
(SEE CHART)



NOTES:

- MATERIALS:  
HOUSING: POLYESTER (PBT), GLASS FILLED, UL94 V-0. COLOR: BLACK.  
GASKET MATERIAL: SILICONE RUBBER. COLOR: BLACK
- PRODUCT SPECIFICATION: PS-19432-001
- PACKAGING SPECIFICATION: PK-19436-001.
- USE WITH MALE CRIMP TERMINAL SERIES 19431.
- MATES WITH 19432 SERIES RECEPTACLE ASSEMBLIES.
- RECOMMENDED MOUNTING HARDWARE: (2) #10 X .62/18.9 LONG PLASTIC THREAD CUTTING SCREWS. RECOMMENDED TORQUE 15-17 IN-LBS. SUGGESTED SOURCE: ITW SHAKEPROOF INDUSTRIAL BOSSCREW OR EQUIVALENT.
- ASSEMBLY IS ROHS COMPLIANT.

19436-0414	8	NO
19436-0413	12-10	
19436-0412	8	YES
19436-0411	12-10	
MATERIAL NUMBER	WIRE AWG	PANEL GASKET

<b>RVSD NOTES &amp; UPDATED DIMS</b> EC NO: MNA2010-0278 DRAWN BY: 2009/10/13 CHKD: DTITUS 2009/10/22 APPR: DTITUS 2009/10/22	<b>QUALITY SYMBOLS</b> ▽=0 ▽=0	<b>GENERAL TOLERANCES (UNLESS SPECIFIED)</b>		<b>DIMENSION STYLE</b> IN/MM		<b>SCALE</b> 2:1		<b>DESIGN UNITS</b> INCH		THIRD ANGLE PROJECTION	
				DRAWN BY: DMYRICK DATE: 2007/4/23		CHECKED BY: JPAWLICKI DATE: 2007/4/23		<b>TITLE</b> 4 WAY SEALED PLUG PANEL MOUNT ASSEMBLY, 12-10 & 8 AWG			
				APPROVED BY: DTITUS DATE: 2009/10/22		<b>MOLEX INCORPORATED</b>					
				DRAFT WHERE APPLICABLE MUST REMAIN WITHIN DIMENSIONS		<b>SEE CHART</b>		DOCUMENT NO. SD-19436-002		SHEET NO. 1 OF 1	