

PLEASE CHECK WWW.MOLEX.COM FOR LATEST PART INFORMATION

Part Number: **0191180024**
Status: **Active**
Description: Krimptite™ Flanged Spade Tongue Terminal for 18-22 AWG Wire, Stud Size 8, Mylar Tape Carrier

Documents:

[Drawing \(PDF\)](#) [RoHS Certificate of Compliance \(PDF\)](#)

Agency Certification

CSA LR18689
 UL E32244

General

Product Family Ring and Spade Terminals
 Series [19118](#)
 Crimp Quality Equipment Yes
 Mil-Spec N/A
 Product Name Krimptite™
 Type Spade

Physical

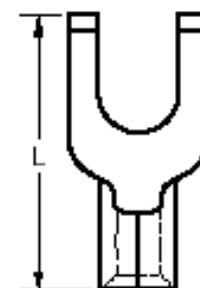
Barrel Type Closed
 Insulation None
 Material - Plating Mating Tin
 Packaging Type Adhesive Tape on Reel
 Stud Size 8 (M4)
 Wire Size AWG 18, 20, 22
 Wire Size mm² 0.25 - 1.50

Material Info

Old Part Number AA-115-08T

Reference - Drawing Numbers

Sales Drawing SD-19118-003



*Series
 image - Reference only*

EU RoHS

**ELV and RoHS
 Compliant**
**REACH SVHC
 Contains SVHC: No**
**Halogen-Free
 Status
 Not Reviewed**

China RoHS



**Need more information on product
 environmental compliance?**

Email productcompliance@molex.com
 For a multiple part number RoHS Certificate of
 Compliance, [click here](#)

Please visit the [Contact Us](#) section for any
 non-product compliance questions.

Search Parts in this Series

[19118Series](#)

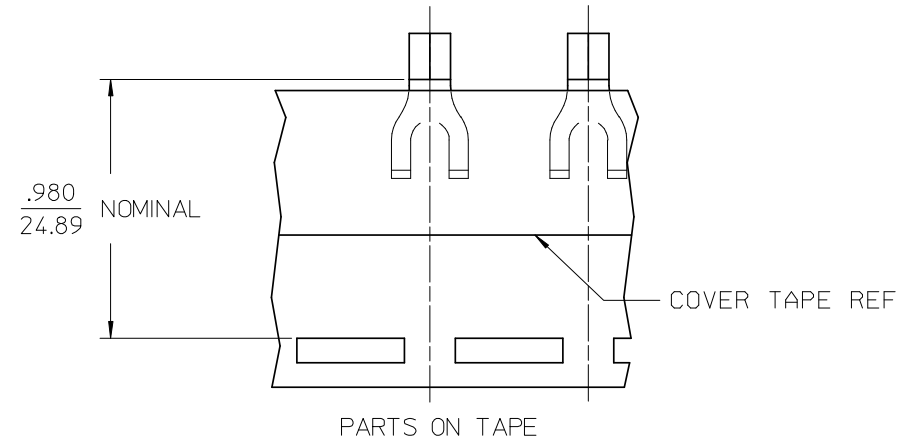
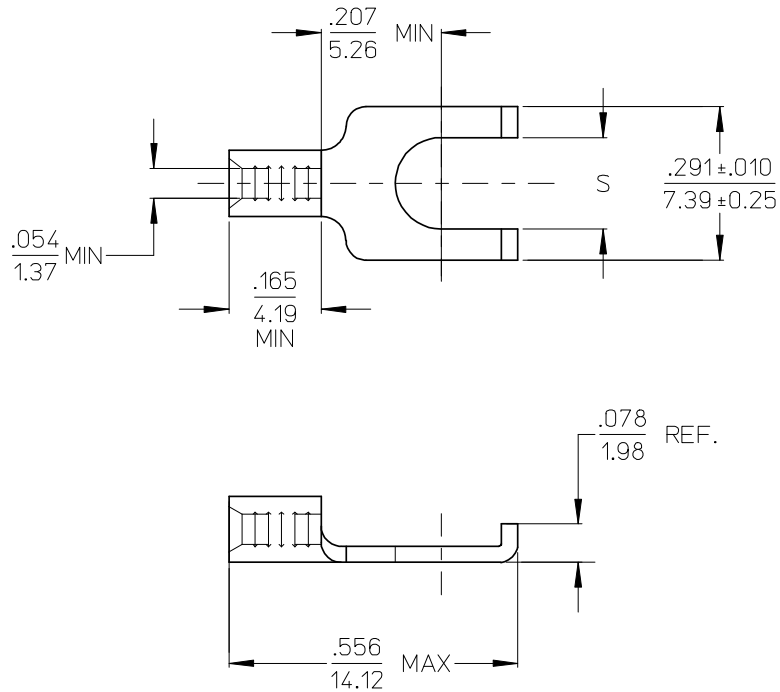
Application Tooling | [FAQ](#)

*Tooling specifications and manuals are
 found by selecting the products below.
 Crimp Height Specifications are then
 contained in the Application Tooling
 Specification document.*

Global

Description	Product #
ATP Tooling Kit for ATP-100 and ATP-300 Series Air Crimping Press for Mylar Tape Mounted Terminals	0190270034
Mini-Mac™ Applicator	0638853800

LOOSE PIECE		TAPE MOUNTED			
MATERIAL NUMBER	ENGINEERING NUMBER	MATERIAL NUMBER	ENGINEERING NUMBER	STUD SIZE	S ±.005
191180021	AA-115-06	191180022	AA-115-06T	6	.146/3.71
191180023	AA-115-08	191180024	AA-115-08T	8	.173/4.39
191180025	AA-115-10	191180099	AA-115-10T	10	.198/5.03



SALES DRAWING

NOTES:

1. MATERIAL: COPPER .031/0.78 THICK, REF.
2. PLATING: ELECTRO-TIN
3. PART IS RoHS COMPLIANT

ADD NOTE 3, REV DIMS EC NO: ETC2008-0012 DRWN: RSTONE 2007/11/26 CHKD: JMACNEIL 2007/11/26 APPR: JMACNEIL 2007/12/05	QUALITY SYMBOLS ▽=0 ▽=0	GENERAL TOLERANCES (UNLESS SPECIFIED)		DIMENSION STYLE	SCALE	DESIGN UNITS	THIRD ANGLE PROJECTION	
				IN/MM	4:1	INCH		
		4 PLACES	±---	±---	DRAWN BY	DATE	TITLE	
		3 PLACES	±---	±.005	JJ	1984/10/17	FLANGED SPADE TONGUE TERMINAL KRIMPTITE 100-SERIES	
2 PLACES	±0.13	±.01	GZ	1984/10/18	APPROVED BY			
1 PLACE	±0.25	±---	GZ	1984/10/18	DATE			
ANGULAR ±---°		MATERIAL NO.		DOCUMENT NO.		SHEET NO.		
DRAFT WHERE APPLICABLE MUST REMAIN WITHIN DIMENSIONS		SEE CHART		SD-19118-003		1 OF 1		
SIZE B		THIS DRAWING CONTAINS INFORMATION THAT IS PROPRIETARY TO MOLEX INCORPORATED AND SHOULD NOT BE USED WITHOUT WRITTEN PERMISSION						